

Table 6-13. A3A6 Single Sideband Mixer PCB Assembly (cont)

REF DES	DESCRIPTION	FLUKE STOCK NO.	MFG SPLY CODE	MFG PART NO.	TOT QTY	REC QTY	NO TE
R57	RES. MTL. FILM, 1K +/-1%, 1/8W	168229	91637	CMF551001F			REF
R58	RES. MTL. FILM, 1K +/-1%, 1/8W	168229	91637	CMF551001F			REF
R59	RES. DEP. CAR. 51 +/-5%, 1/4W	414540	80031	CR251-4-5P51E		1	
R60	RES. MTL. FILM, 100 +/-1%, 1/8W	168195	91637	CMF551000F		2	
R61	RES. MTL. FILM, 562 +/-1%, 1/8W	340828	91637	CMF555620F		2	
R62	RES. MTL. FILM, 68.1 +/-1%, 1/8W	305995	91637	CMF5568R1F		2	
R63	RES. MTL. FILM, 49.9 +/-1%, 1/8W	305896	91637	CMF5549R9F			REF
R64	RES. MTL. FILM, 100 +/-1%, 1/8W	168195	91637	CMF551000F			REF
R65	RES. MTL. FILM, 562 +/-1%, 1/8W	340828	91637	CMF555620F			REF
R66	RES. MTL. FILM, 68.1 +/-1%, 1/8W	305995	91637	CMF5568R1F			REF
R67	RES. MTL. FILM, 49.9 +/-1%, 1/8W	305896	91637	CMF5549R9F			REF
R68	RES. MTL. FILM, 15.0 +/-1%, 1/8W	296434	91637	CMF5515R0F		2	
R69	RES. MTL. FILM, 15.0 +/-1%, 1/8W	296434	91637	CMF5515R0F			REF
R70	RES. COMP, 68 +/-10%, 1/8W	261818	01121	BB6801		1	
R71	RES. COMP, 100 +/-10%, 1/8W	261826	01121	BB1011		2	
R72	RES. COMP, 100 +/-10%, 1/8W	261826	01121	BB1011			REF
TP1-6	CONNECTOR (FASTON TAP)	512889	02660	62395-1834		6	
U1	IC, ECL 1600 SER DIV-BY-4 GHZ PRSCALER	472787	04713	MC1697P		2	1
U2	IC, ECL, DUAL TYPE "D" M-S, F/F	525345	04713	MC10231L		2	1
U3	IC, DUAL TYPE "D" MASTER SLAVE FLIP FLOP	535492	04713	MC10131L		2	1
U4	IC, ECL, DUAL TYPE "D" M-S, F/F	525345	04713	MC10231L			REF
U5	IC, ECL 1600 SER DIV-BY-4 GHZ PRSCALER	472787	04713	MC1697P			REF
U6	IC, HYBRID, 15DB AMP	492785	89536	492785		1	1
U7	IC, HYBRID, 6DB AMP	492819	89536	492819		1	1
U8	IC, LINEAR, OP-AMP	413740	12040	LM307N		1	1
U9	IC, LINEAR, OP-AMP	472779	12040	LF386N		1	1
U10	IC, ECL, PHASE FREQUENCY DETECTOR	525311	04713	MC12040L		1	1
U11	IC, L.O. - RF ISOLATION >30DB	525493	89536	525493		2	1
U12	IC, L.O. - RF ISOLATION >30DB	525493	89536	525493			REF
U13	IC, HYBRID, 8DB AMP	492801	89536	492801		1	1
U14	XSTR. LIN, ARRAY, 2-PNP, 16-PIN DIP	418954	02735	CA3096E		1	1
U15	IC, LINEAR, OP-AMP	418566	12040	LM358N		1	1
U16	IC, TTL DUAL D-TYPE FLIP-FLOP	393124	01295	SN74LS74N		1	1
U17	IC, DUAL TYPE "D" MASTER SLAVE FLIP FLOP	535492	04713	MC10131L			REF
W1	CABLE ASSEMBLY, RF	530774	89536	530774			
W39	CABLE ASSEMBLY, SSB/VCO	537779	89536	537779		1	
XQ1	TRANSISTOR PAD, SPACER (NOT SHOWN)	152207	07047	10123-DAP		1	
XU1	SOCKET, COMPONENT LEAD (NOT SHOWN)	376418	22526	75060-007		81	
XU2	SOCKET, IC, 16-PIN DIP	370312	91506	316-AG39D		5	
XU3	SOCKET, IC, 16-PIN DIP	370312	91506	316-AG39D			REF
XU4	SOCKET, IC, 16-PIN DIP	370312	91506	316-AG39D			REF
XU5	SOCKET, COMPONENT LEAD (NOT SHOWN)	376418	22526	75060-007			REF
XU6	SOCKET, COMPONENT LEAD (NOT SHOWN)	376418	22526	75060-007			REF
XU7	SOCKET, COMPONENT LEAD (NOT SHOWN)	376418	22526	75060-007			REF
XU8	SOCKET, IC, 8-PIN	478016	91506	308-AG39D		3	
XU9	SOCKET, IC, 8-PIN	478016	91506	308-AG39D			REF
XU10	SOCKET, 14-PIN	370304	12040	MM74C906N		2	
XU11	SOCKET, COMPONENT LEAD (NOT SHOWN)	376418	22526	75060-007			REF
XU12	SOCKET, COMPONENT LEAD (NOT SHOWN)	376418	22526	75060-007			REF
XU13	SOCKET, COMPONENT LEAD (NOT SHOWN)	376418	22526	75060-007			REF

Table 6-13. A3A6 Single Sideband Mixer PCB Assembly (cont)

REF DES	DESCRIPTION	FLUKE STOCK NO.	MFG SPLY CODE	MFG PART NO.	TOT QTY	REC QTY	NOTE
XU14	SOCKET, IC, 16-PIN DIP	370312	91506	316-AG39D		REF	
XU15	SOCKET, IC, 8-PIN	478016	91506	308-AG39D		REF	
XU16	SOCKET, 14-PIN	370304	12040	MM74C906N		REF	
XU17	SOCKET, IC, 16-PIN DIP	370312	91506	316-AG39D		REF	

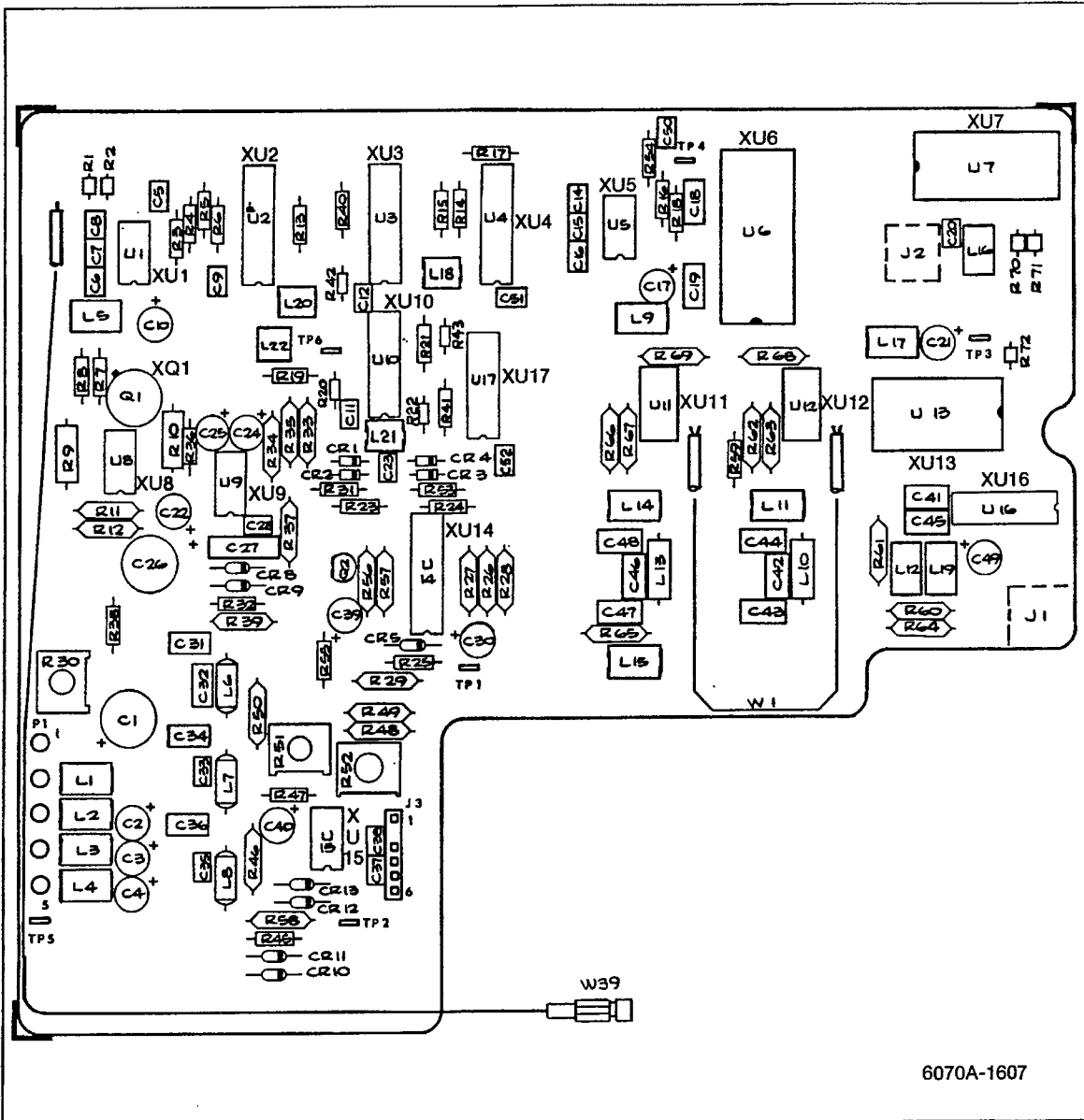


Figure 6-13. A3A6 Single Sideband Mixer PCB Assembly

Table 6-14. A3A7 Sub Synthesizer PCB Mixer

REF DES	DESCRIPTION	FLUKE STOCK NO.	MFG SPLY CODE	MFG PART NO.	TOT QTY	REC QTY	NO TE
A3A7②	SUB SYNTHESIZER PCB ASSEMBLY FIGURE 6-14 (6070A-4011T)	463554	89536	463554			REF
C1	CAP, TA, 68 UF +/-20%, 15V	193615	56289	196D686X0015LA3		1	
C2	CAP, TA, 10 UF +/-20%, 15V	193623	56289	196D106X0015A1		21	
C3	CAP, TA, 10 UF +/-20%, 15V	193623	56289	196D106X0015A1			REF
C4	CAP, TA, 10 UF +/-20%, 15V	193623	56289	196D106X0015A1			REF
C5	CAP, TA, 10 UF +/-20%, 15V	193623	56289	196D106X0015A1			REF
C6	CAP, TA, 10 UF +/-20%, 15V	193623	56289	196D106X0015A1			REF
C7	CAP, CER. 0.22 UF +/-20%, 50V	309849	72982	8131-050-651-022		7	
C8	CAP, CER. 430 PF +/-5%, 50V	528489	89536	528489		2	
C9	CAP, PLASTIC, 0.47 UF +/-10%, 50V	271858	06001	75F1R5A474		2	
C10	CAP, TA, 10 UF +/-20%, 15V	193623	56289	196D106X0015A1			REF
C11	CAP, TA, 10 UF +/-20%, 15V	193623	56289	196D106X0015A1			REF
C12	CAP, CER. 430 PF +/-5%, 50V	528489	89536	528489			REF
C13	CAP, POLY, 510 PF +/-5%, 630V	528455	12954	B31063/510/1/630		1	
C14	CAP, POLY, 1200 PF +/-5%, 63V	513713	12954	B31063/1200/5/63		1	
C16	CAP, PLASTIC, 0.47 UF +/-10%, 50V	271858	06001	75F1R5A474			REF
C17	CAP, POLY, 1300 PF +/-5%, 63V	513127	12954	B31063/1300/5/63		1	
C18	CAP, POLY, 7500 PF +/-5%, 63V	528430	12954	B31063/7500/5/63		1	
C19	CAP, POLY, 8200 PF +/-5%, 63V	513739	12954	B31063/8200/5/63		1	
C20	CAP, CER. 0.001 UF +/-20%, 500V	402966	72982	8121-A100-W5R-102M		9	
C21	CAP, CER. 0.001 UF +/-20%, 500V	402966	72982	8121-A100-W5R-102M		1	
C22	CAP, CER. 0.001 UF +/-20%, 500V	402966	72982	8121-A100-W5R-102M			REF
C23	CAP, POLY, 100 PF +/-1%, 63V	528372	12954	B31063/100/1/63		1	
C24	CAP, TA, 10 UF +/-20%, 15V	193623	56289	196D106X0015A1			REF
C25	CAP, POLY, 470 PF +/-1%, 63V	528356	12954	B31063/470/1/63		1	
C26	CAP, CER. 0.001 UF +/-20%, 500V	402966	72982	8121-A100-W5R-102M			REF
C27	CAP, CER. 0.001 UF +/-20%, 500V	402966	72982	8121-A100-W5R-102M			REF
C28	CAP, CER. 0.22 UF +/-20%, 50V	309849	72982	8131-050-651-022			REF
C29	CAP, CER. 0.22 UF +/-20%, 50V	309849	72982	8131-050-651-022			REF
C30	CAP, TA, 10 UF +/-20%, 15V	193623	56289	196D106X0015A1			REF
C31	CAP, TA, 10 UF +/-20%, 15V	193623	56289	196D106X0015A1			REF
C32	CAP, CER. 0.22 UF +/-20%, 50V	309849	72982	8131-050-651-022			REF
C33	CAP, MYLAR, 0.0033 UF +/-10%, 50V	402867	80031	75F1R5A332		1	
C34	CAP, MYLAR, 0.01 UF +/-10%, 50V	309906	80031	75F1R5A100		2	
C35	CAP, TA, 10 UF +/-20%, 15V	193623	56289	196D106X0015A1			REF
C36	CAP, MYLAR, 0.015 UF +/-10%, 50V	402891	80031	75F1R5A153		1	
C37	CAP, FILM, 0.22 UF +/-10%, 50V	271577	06001	751R5A223		1	
C38	CAP, MYLAR, 0.01 UF +/-10%, 50V	309906	80031	75F1R5A100			REF
C39	CAP, POLY, 330 PF +/-1%, 63V	528364	12954	B31063/330/1/63		1	
C40	CAP, TA, 10 UF +/-20%, 15V	193623	56289	196D106X0015A1			REF
C41	CAP, POLY, 1000 PF +/-1%, 63V	528380	12954	B31063/1000/1/63		1	
C42	CAP, CER. 0.001 UF +/-20%, 500V	402966	72982	8121-A100-W5R-102M			REF
C43	CAP, CER. 0.001 UF +/-20%, 500V	402966	72982	8121-A100-W5R-102M			REF
C45	CAP, TA, 10 UF +/-20%, 15V	193623	56289	196D106X0015A1			REF
C46	CAP, CER. 100 PF +/-2%, 100V	512848	89536	512848		1	
C47	CAP, CER. 22 PF +/-2%, 100V	512871	89536	512871		1	
C48	CAP, CER. 82 PF +/-2%, 100V	512350	89536	512350		1	
C49	CAP, CER. 39 PF +/-2%, 100V	512962	89536	512962		1	

Table 6-14. A3A7 Sub Synthesizer PCB Mixer (cont)

REF DES	DESCRIPTION	FLUKE STOCK NO.	MFG SPLY CODE	MFG PART NO.	TOT QTY	REC QTY	NOTE
C50	CAP, CER, 150 PF +/-5%, 100V	512988	89536	512988	1		
C51	CAP, TA, 10 UF +/-20%, 15V	193623	56289	196D106X0015A1	REF		
C52	CAP, CER, 0.001 UF +/-20%, 500V	402966	72982	8121-A100-W5R-102M	REF		
C53	CAP, CER, 0.22 UF +/-20%, 50V	309849	72982	8131-050-651-022	REF		
C54	CAP, TA, 10 UF +/-20%, 15V	193623	56289	196D106X0015A1	REF		
C55	CAP, TA, 10 UF +/-20%, 15V	193623	56289	196D106X0015A1	REF		
C56	CAP, TA, 10 UF +/-20%, 15V	193623	56289	196D106X0015A1	REF		
C57	CAP, TA, 10 UF +/-20%, 15V	193623	56289	196D106X0015A1	REF		
C58	CAP, TA, 10 UF +/-20%, 15V	193623	56289	196D106X0015A1	REF		
C59	CAP, CER, 0.001 UF +/-20%, 500V	402966	72982	8121-A100-W5R-102M	REF		
C60	CAP, CER, 0.001 UF +/-20%, 500V	402966	72982	8121-A100-W5R-102M	REF		
C61	CAP, CER, 0.22 UF +/-20%, 50V	309849	72982	8131-050-651-022	REF		
C62	CAP, TA, 47 UF +/-20%, 20V	348516	56289	A96D476X0020KE4	2		
C63	CAP, TA, 47 UF +/-20%, 20V	348516	56289	A96D476X0020KE4	REF		
C64	CAP, CER, 0.22 UF +/-20%, 50V	309849	72982	8131-050-651-022	REF		
C65	CAP, TA, 10 UF +/-20%, 15V	193623	56289	196D106X0015A1	REF		
C66	CAP, TA, 10 UF +/-20%, 15V	193623	56289	196D106X0015A1	REF		
C67	CAP, TA, 22 UF +/-20%, 15V	423012	56289	196D225X0015KA1	1		
CR1	DIODE, VARACTOR TUNING (SINGLE)	508069	91462	DKV6534C	1		1
CR2	DIODE, SI, SWITCHING	313247	28480	HP5082-6264	1		1
J1	CONNECTOR, RF, SMB	512095	16733	702033	2		
J2	CONNECTOR, RF, SMB	512095	16733	702033	REF		
L1	CHOKE, 6-TURN	320911	89536	320911	6		
L2	CHOKE, 6-TURN	320911	89536	320911	REF		
L3	CHOKE, 1200 MH +/-10%, 125MA	343855	24759	MR-1200	1		
L4	CHOKE, 2200 UH 99MA	147801	72259	WEE-2200	1		
L5	INDUCTOR, VARIABLE	513812	07557	530-1535-04-01	1		
L6	CHOKE, 6-TURN	320911	89536	320911	REF		
L7	CHOKE, 6-TURN	320911	89536	320911	REF		
L8	CHOKE, 39 UH +/-10%, 429MA	344010	24759	MR-39	1		
L9	CHOKE, 27 UH +/-10%, 526MA	513853	24759	MR-27	1		
L10	INDUCTOR, 0.39 UH +/-10%, 1060 MA	257162	24759	MR0.39	1		
L11	INDUCTOR, 0.18 UH +/-10%, 2300 MA	249060	24759	MR0.18	1		
L12	CHOKE, 6-TURN	320911	89536	320911	REF		
L13	CHOKE, 6-TURN	320911	89536	320911	REF		
L14	INDUCTOR, 100 UH, +/-10%, 120 MA	249102	24759	MR-100	1		
MP1	AIDE, PCB PULL	541730	89536	541730	3		
MP2	BRACKET, INDICATOR MOUNTING	537530	89536	537530	1		
P1	COMPONENT LEAD, SPRING TYPE	544056	89536	544056	15		
Q1	TRANSISTOR, PNP, HI-SPEED SWITCHING	369629	07263	543576	4		1
Q2	TRANSISTOR, PNP, HI-SPEED SWITCHING	369629	07263	543576	REF		
Q3	TRANSISTOR, PNP, HI-SPEED SWITCHING	369629	07263	543576	REF		
Q4	TRANSISTOR, PNP, HI-SPEED SWITCHING	369629	07263	543576	REF		
Q5	TRANSISTOR, SI, NPN	248351	04713	MPS918	1		1
Q6⊕	TRANSISTOR, D-MOS	507905	18324	SD305	1		1
R1	RES, DEP. CAR, 10K +/-5%, 1/4W	348839	89536	348839	4		
R2	RES, DEP. CAR, 10K +/-5%, 1/4W	348839	89536	348839	REF		
R3	RES, DEP. CAR, 10K +/-5%, 1/4W	348839	89536	348839	REF		
R4	RES, DEP. CAR, 1.8K +/-5%, 1/4W	441444	80031	CR251-4-5P1K8	2		
R5	RES, VAR, 5K +/-10%, 1/2W	327569	11236	360T502A	1		

Table 6-14. A3A7 Sub Synthesizer PCB Mixer (cont)

REF DES	DESCRIPTION	FLUKE STOCK NO.	MFG SPLY CODE	MFG PART NO.	TOT QTY	REC QTY	W D T E
R6	RES. DEP. CAR. 1.8K +/-5%, 1/4W	441444	80031	CR251-4-5P1K8	REF		
R7	RES. DEP. CAR. 510 +/-5%, 1/4W	441600	80031	CR251-4-5P510E	6		
R8	RES. DEP. CAR. 120K +/-5%, 1/4W	441386	80031	CR251-4-5P120K	1		
R9	RES. DEP. CAR. 2.2K +/-5%, 1/4W	343400	80031	CR251-4-5P2K2	2		
R10	RES. DEP. CAR. 510 +/-5%, 1/4W	441600	80031	CR251-4-5P510E	REF		
R11	RES. DEP. CAR. 510 +/-5%, 1/4W	441600	80031	CR251-4-5P510E	REF		
R12	RES. DEP. CAR. 220 +/-5%, 1/4W	342626	80031	CR251-4-5P220E	3		
R13	RES. DEP. CAR. 1K +/-5%, 1/4W	343426	80031	CR251-4-5P1K	4		
R14	RES. DEP. CAR. 7.5K +/-5%, 1/4W	441667	80031	CR251-4-5P7K5	4		
R15	RES. DEP. CAR. 1K +/-5%, 1/4W	343426	80031	CR251-4-5P1K	REF		
R16	RES. DEP. CAR. 7.5K +/-5%, 1/4W	441667	80031	CR251-4-5P7K5	REF		
R17	RES. DEP. CAR. 2.2K +/-5%, 1/4W	343400	80031	CR251-4-5P2K2	REF		
R18	RES. DEP. CAR. 150 +/-5%, 1/4W	343442	80031	CR251-4-5P150E	4		
R19	RES. DEP. CAR. 150 +/-5%, 1/4W	343442	80031	CR251-4-5P150E	REF		
R20	RES. DEP. CAR. 51 +/-5%, 1/4W	414540	80031	CR251-4-5P51E	4		
R21	RES. MTL. FILM, 3.65K +/-1%, 1/8W	293779	91637	CMF553651F	1		
R22	RES. MTL. FILM, 2.15K +/-1%, 1/8W	293712	91637	CMF552151F	1		
R23	RES. DEP. CAR. 300 +/-5%, 1/4W	441519	80031	CR251-4-5P300E	1		
R24	RES. DEP. CAR. 56 +/-5%, 1/4W	342618	80031	CR251-4-5P56E	1		
R25	RES. DEP. CAR. 16 +/-5%, 1/4W	442194	80031	CR251-4-5P16E	3		
R26	RES. DEP. CAR. 16 +/-5%, 1/4W	442194	80031	CR251-4-5P16E	REF		
R27	RES. DEP. CAR. 100 +/-5%, 1/4W	348771	80031	CR251-4-5P100E	5		
R28	RES. DEP. CAR. 16 +/-5%, 1/4W	442194	80031	CR251-4-5P16E	REF		
R29	RES. DEP. CAR. 51 +/-5%, 1/4W	414540	80031	CR251-4-5P51E	REF		
R30	RES. DEP. CAR. 150 +/-5%, 1/4W	343442	80031	CR251-4-5P150E	REF		
R31	RES. DEP. CAR. 150 +/-5%, 1/4W	343442	80031	CR251-4-5P150E	REF		
R32	RES. MTL. FILM, 5.76K +/-1%, 1/8W	260349	91637	CMF555761F	1		
R33	RES. MTL. FILM, 2.26K +/-1%, 1/8W	328294	91637	CMF552261F	1		
R34	RES. DEP. CAR. 510 +/-5%, 1/4W	441600	80031	CR251-4-5P510E	REF		
R35	RES. DEP. CAR. 10 +/-5%, 1/4W	340075	80031	CR251-4-5P10E	1		
R36	RES. DEP. CAR. 100 +/-5%, 1/4W	348771	80031	CR251-4-5P100E	REF		
R37	RES. DEP. CAR. 220 +/-5%, 1/4W	342626	80031	CR251-4-5P220E	REF		
R38	RES. DEP. CAR. 51 +/-5%, 1/4W	414540	80031	CR251-4-5P51E	REF		
R39	RES. DEP. CAR. 51 +/-5%, 1/4W	414540	80031	CR251-4-5P51E	REF		
R40	RES. DEP. CAR. 18 +/-5%, 1/4W	441428	80031	CR251-4-5P18E	4		
R41	RES. DEP. CAR. 18 +/-5%, 1/4W	441428	80031	CR251-4-5P18E	REF		
R42	RES. DEP. CAR. 18 +/-5%, 1/4W	441428	80031	CR251-4-5P18E	REF		
R43	RES. DEP. CAR. 18 +/-5%, 1/4W	441428	80031	CR251-4-5P18E	REF		
R44	RES. DEP. CAR. 510 +/-5%, 1/4W	441600	80031	CR251-4-5P510E	REF		
R45	RES. DEP. CAR. 510 +/-5%, 1/4W	441600	80031	CR251-4-5P510E	REF		
R46	RES. DEP. CAR. 1K +/-5%, 1/4W	343426	80031	CR251-4-5P1K	REF		
R47	RES. DEP. CAR. 7.5K +/-5%, 1/4W	441667	80031	CR251-4-5P7K5	REF		
R48	RES. DEP. CAR. 7.5K +/-5%, 1/4W	441667	80031	CR251-4-5P7K5	REF		
R49	RES. DEP. CAR. 1K +/-5%, 1/4W	343426	80031	CR251-4-5P1K	REF		
R50	RES. DEP. CAR. 10K +/-5%, 1/4W	348839	89536	348839	REF		
R51	RES. DEP. CAR. 100 +/-5%, 1/4W	348771	80031	CR251-4-5P100E	REF		
R52	RES. DEP. CAR. 470 +/-5%, 1/4W	343434	89536	343434	1		
R53	RES. DEP. CAR. 100 +/-5%, 1/4W	348771	80031	CR251-4-5P100E	REF		
R54	RES. DEP. CAR. 220 +/-5%, 1/4W	342626	80031	CR251-4-5P220E	REF		
R55	RES. DEP. CAR. 100 +/-5%, 1/4W	348771	80031	CR251-4-5P100E	REF		

Table 6-14. A3A7 Sub Synthesizer PCB Mixer (cont)

REF DES	DESCRIPTION	FLUKE STOCK NO.	MFG SPLY CODE	MFG PART NO.	TOT QTY	REC QTY	NO TE
R56	RES, DEP. CAR. 33 +/-5%, 1/4W	414524	80031	CR251-4-5P33E	1		
SW1	SWITCH, SLIDE, DPDT	393629	10389	23-021-114	1		
TP1-16	CONNECTOR, TEST POINT	512889	02660	62395-1834	16		
U1	IC, TTL, DUAL D-TYPE FLIP FLOP	393124	01295	SN74LS74N	1	1	
U2	IC, TTL, QUAD, 2-INPUT NAND GATES	293068	01295	SN74H00P	1	1	
U3	IC, TTL, DUAL J-K EDGE TRIG, F/F	363440	01295	SN74S117N	2	1	
U4	IC, TTL, J-K F/F, AND INPUTS	292092	01295	SN74H102N	1	1	
U5	IC, TTL, 50 MHZ, PRESET, DECODED BINARY	320770	01295	SN74197N	1	1	
U6	IC, TTL LO-PWR SCHKY OCTAL "D": TYPE F/F	454892	01295	SN74LS273N	3	1	
U7	IC, 8-BIT ADDRESSABLE LATCH	419242	01295	SN74LS259N	3	1	
U8	IC, TTL, DUAL J-K EDGE TRIG, F/F	363440	01295	SN74S117N	REF		
U9⊙	IC, TTL, SYNCH DECADE RATE MULTIPLIER	454884	01295	SN74167N	4	1	
U10⊙	IC, TTL, SYNCH DECADE RATE MULTIPLIER	454884	01295	SN74167N	REF		
U11	IC, TTL LO-PWR SCHKY OCTAL "D": TYPE F/F	454892	01295	SN74LS273N	REF		
U12	IC, 8-BIT ADDRESSABLE LATCH	419242	01295	SN74LS259N	REF		
U13	IC, DUAL, "D" TYPE, EDGE TRIGGERED, F/F	418269	01295	SN74S74N	1	1	
U14	IC, TTL, HEX INVERTER	293076	01295	SN74H04N	1	1	
U15⊙	IC, TTL, SYNCH DECADE RATE MULTIPLIER	454884	01295	SN74167N	REF		
U16	IC, TTL LO-PWR SCHKY OCTAL "D": TYPE F/F	454892	01295	SN74LS273N	REF		
U17	IC, 8-BIT ADDRESSABLE LATCH	419242	01295	SN74LS259N	REF		
U18	IC, TTL, QUAD 2-IN, NAND GATE	363580	01295	SN74S00N	2	1	
U19	IC, TTL, QUAD 2-IN, NAND GATE	363580	01295	SN74S00N	REF		
U20⊙	IC, TTL, SYNCH DECADE RATE MULTIPLIER	454884	01295	SN74167N	REF		
U21	IC, TTL, SCHOTTKY, QUAD 2-IN, P-NOR GATE	403626	01295	SN74S02N	1	1	
U22	IC, TTL, PRESET DECADE OR BINARY COUNTER	473835	01295	SN74S196N	1	1	
U23	IC, TTL MSI, DECADE COUNTER	402545	01295	SN74LS90N	2	1	
U24	IC, LINEAR, OP-AMP	472779	12040	LF386N	1	1	
U25	IC, ECL, TRIPLE LINE RECEIVER 16-PIN DIP	369702	18324	N10116B	2	1	
U26	RESISTOR NETWORK, 510 +/-2%, 1/8W	447482	89536	447482	2	1	
U27	IC, MIXER, 1 - 500 MHZ RANGE	528265	15542	SBL-1	2	1	
U28	IC, MIXER, 1 - 500 MHZ RANGE	528265	15542	SBL-1	REF		
U29	IC, ECL, DUAL TYPE "D", M/S, F/F	525345	04713	MC10231L	1	1	
U30	IC, LINEAR, OP-AMP, J-FET INPUT	483438	89536	483438	1	1	
U31	RESISTOR NETWORK, 10K 16-PIN DIP	501841	89536	501841	1	1	
U32	IC, ECL, BI-QUINARY COUNTER	525337	04713	MC10138L	1	1	
U33	IC, TTL MSI, DECADE COUNTER	402545	01295	SN74LS90N	REF		
U34	RESISTOR NETWORK, 510 +/-2%, 1/8W	447482	89536	447482	REF		
U35	IC, ECL, TRIPLE LINE RECEIVER 16-PIN DIP	369702	18324	N10116B	REF		
XU1	SOCKET, IC, 14-PIN	370304	12040	MM74C906N	13		
XU2	SOCKET, IC, 14-PIN	370304	12040	MM74C906N	REF		
XU3	SOCKET, IC, 16-PIN	370312	91506	316-AG39D	13		
XU4	SOCKET, IC, 14-PIN	370304	12040	MM74C906N	REF		
XU5	SOCKET, IC, 14-PIN	370304	12040	MM74C906N	REF		
XU6	SOCKET, IC, 20-PIN	454421	01295	C932002	3		
XU7	SOCKET, IC, 16-PIN	370312	91506	316-AG39D	REF		
XU8	SOCKET, IC, 16-PIN	370312	91506	316-AG39D	REF		
XU9	SOCKET, IC, 16-PIN	370312	91506	316-AG39D	REF		
XU10	SOCKET, IC, 16-PIN	370312	91506	316-AG39D	REF		
XU11	SOCKET, IC, 20-PIN	454421	01295	C932002	REF		
XU12	SOCKET, IC, 16-PIN	370312	91506	316-AG39D	REF		

Table 6-14. A3A7 Sub Synthesizer PCB Mixer (cont)

REF DES	DESCRIPTION	FLUKE STOCK NO.	MFG SPLY CODE	MFG PART NO.	TOT QTY	REC QTY	NO TE
XU13	SOCKET, IC, 14-PIN	370304	12040	MM74C906N	REF		
XU14	SOCKET, IC, 14-PIN	370304	12040	MM74C906N	REF		
XU15	SOCKET, IC, 16-PIN	370312	91506	316-AG39D	REF		
XU16	SOCKET, IC, 20-PIN	454421	01295	C932002	REF		
XU17	SOCKET, IC, 16-PIN	370312	91506	316-AG39D	REF		
XU18	SOCKET, IC, 14-PIN	370304	12040	MM74C906N	REF		
XU19	SOCKET, IC, 14-PIN	370304	12040	MM74C906N	REF		
XU20	SOCKET, IC, 16-PIN	370312	91506	316-AG39D	REF		
XU21	SOCKET, IC, 14-PIN	370304	12040	MM74C906N	REF		
XU22	SOCKET, IC, 14-PIN	370304	12040	MM74C906N	REF		
XU23	SOCKET, IC, 14-PIN	370304	12040	MM74C906N	REF		
XU24	SOCKET, IC, 8-PIN	478016	91506	308-AG39D	1		
XU25	SOCKET, IC, 16-PIN	370312	91506	316-AG39D	REF		
XU27	SOCKET, SINGLE SPRING TYPE COPPER	392944	00779	3-332070-0	16		
XU28	SOCKET, SINGLE SPRING TYPE COPPER	392944	00779	3-332070-0	REF		
XU29	SOCKET, IC, 16-PIN	370312	91506	316-AG39D	REF		
XU30	SOCKET, IC, 14-PIN	370304	12040	MM74C906N	REF		
XU32	SOCKET, IC, 16-PIN	370312	91506	316-AG39D	REF		
XU33	SOCKET, IC, 14-PIN	370304	12040	MM74C906N	REF		
XU35	SOCKET, IC, 16-PIN	370312	91506	316-AG39D	REF		

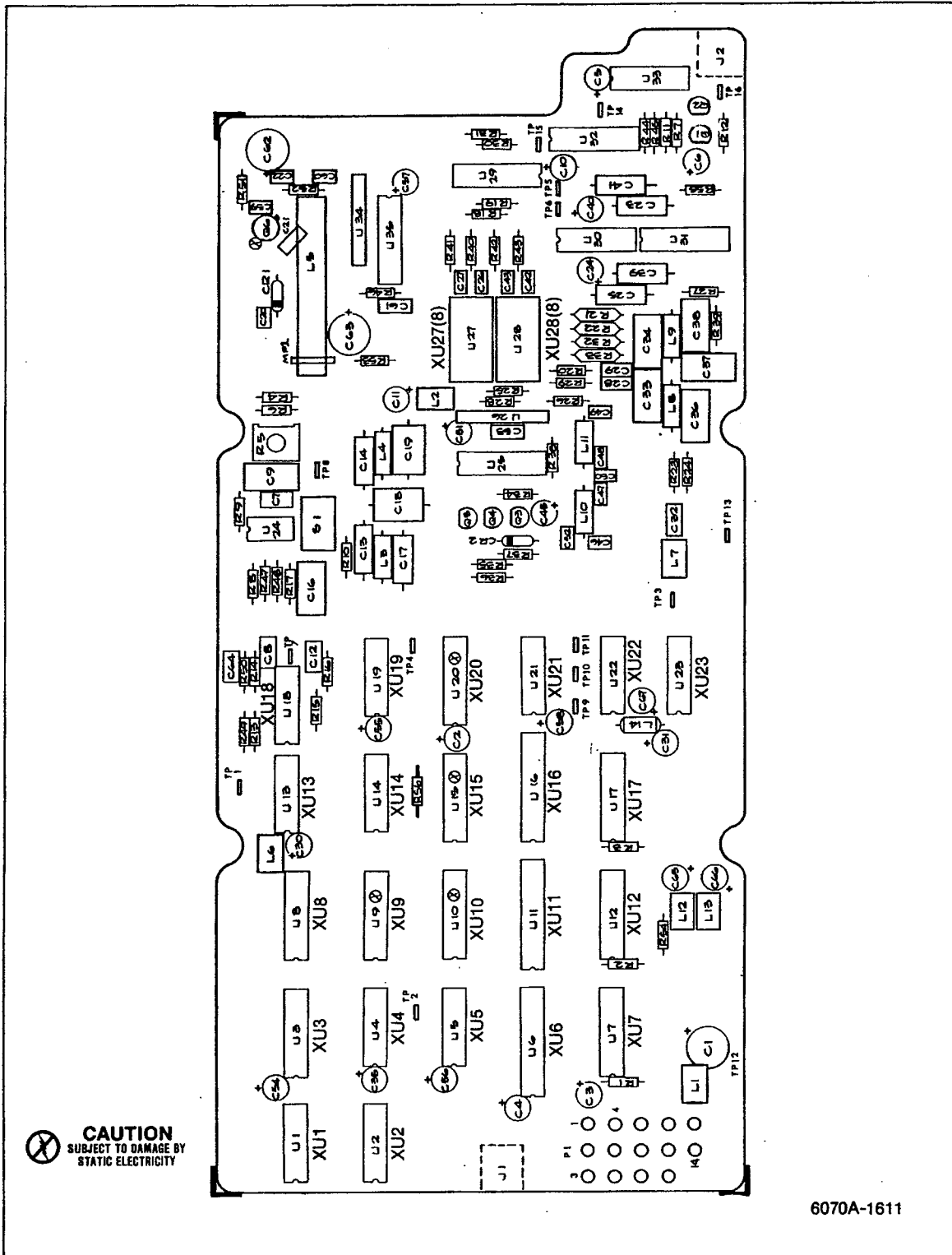


Figure 6-14. A3A7 Sub Synthesizer PCB Mixer

Table 6-15. A3A8 Synthesizer Control Buffer PCB Assembly

REF DES	DESCRIPTION	FLUKE STOCK NO.	MFG SPLY CODE	MFG PART NO.	TOT QTY	REC QTY	M O T E
A3A8②	SYNTHESIZER CONTROL BUFFER PCB ASSEMBLY FIGURE 6-15 (6070A-4020T)	463638	89536	463638		REF	
C1	CAP, CER, 0.22 UF +/-20%, 50V	309849	72982	8131-050-651-022	5		
C2	CAP, CER, 0.22 UF +/-20%, 50V	309849	72982	8131-050-651-022		REF	
C3	CAP, CER, 0.22 UF +/-20%, 50V	309849	72982	8131-050-651-022		REF	
C4	CAP, CER, 0.001 UF +/-20%, 500V	402966	72982	8121-A100-W5R-102M	1		
C5	CAP, CER, 0.22 UF +/-20%, 50V	309849	72982	8131-050-651-022		REF	
C6	CAP, CER, 0.22 UF +/-20%, 50V	309849	72982	8131-050-651-022		REF	
C7	CAP, TA, 10 UF +/-20%, 20V	330662	56289	196D106X0020KA1	2		
C8	CAP, TA, 10 UF +/-20%, 20V	330662	56289	196D106X0020KA1		REF	
C9	CAP, TA, 2.2 UF +/-20%, 20V	161927	56289	196D2225X0020HA1	4		
C10	CAP, TA, 2.2 UF +/-20%, 20V	161927	56289	196D2225X0020HA1		REF	
C11	CAP, TA, 2.2 UF +/-20%, 20V	161927	56289	196D2225X0020HA1		REF	
C12	CAP, TA, 2.2 UF +/-20%, 20V	161927	56289	196D2225X0020HA1		REF	
C13	CAP, CER, 22 PF +/-2%, 100V	512871	89536	512871	1		
CR1	DIODE, SI, SWITCHING	313247	28480	HP5082-6264	2		1
CR2	DIODE, SI, SWITCHING	313247	28480	HP5082-6264		REF	
CR3	DIODE, ZENER	357848	04713	SZG2011B	1		1
L1	CHOKE, 6-TURN	320911	89536	320911	16		
L2	CHOKE, 6-TURN	320911	89536	320911		REF	
L3	CHOKE, 6-TURN	320911	89536	320911		REF	
L4	CHOKE, 6-TURN	320911	89536	320911		REF	
L5	CHOKE, 6-TURN	320911	89536	320911		REF	
L6	CHOKE, 6-TURN	320911	89536	320911		REF	
L7	CHOKE, 6-TURN	320911	89536	320911		REF	
L8	CHOKE, 6-TURN	320911	89536	320911		REF	
L9	CHOKE, 6-TURN	320911	89536	320911		REF	
L10	CHOKE, 6-TURN	320911	89536	320911		REF	
L11	CHOKE, 6-TURN	320911	89536	320911		REF	
L12	CHOKE, 6-TURN	320911	89536	320911		REF	
L13	CHOKE, 6-TURN	320911	89536	320911		REF	
L14	CHOKE, 6-TURN	320911	89536	320911		REF	
L15	CHOKE, 6-TURN	320911	89536	320911		REF	
L16	CHOKE, 6-TURN	320911	89536	320911		REF	
P1	CONNECTOR, 30 POSITION	529230	00779	86396-3	1		
P2	COMPONENT LEAD, SPRING TYPE	544056	00779	50871-1	36		
P3	COMPONENT LEAD, SPRING TYPE	544056	00779	50871-1		REF	
P4	COMPONENT LEAD, SPRING TYPE	544056	00779	50871-1		REF	
R1	RES, MTL. FILM, 1K +/-1%, 1/8W	168229	91637	CMF551001F	1		
R2	RES, MTL. FILM, 1.78K +/-1%, 1/8W	344366	91637	CMF551781F	1		
R3	RES, MTL. FILM, 10K +/-10%, 1/8W	168260	91637	CMF55103	1		
R4	RES, MTL. FILM, 2.80K +/-1%, 1/8W	325670	91637	CMF552801F	1		
R5	RES, DEP. CAR, 10K +/-5%, 1/4W	348839	89536	348839	1		
R6	RES, DEP. CAR, 220K +/-5%, 1/4W	348953	89536	348953	1		
TP1-TP6	CONNECTOR, TEST POINT	512889	02660	62395-1834	6		
U1	IC, 8-BIT ADDRESSABLE LATCH	419242	01295	SN74LS259N	4		1
U2	IC, 8-BIT ADDRESSABLE LATCH	419242	01295	SN74LS259N		REF	
U3②	IC, TTL, QUAD, 2-INPUT POS OR GATE	393108	01295	SN74LS32N	1		1
U4	IC, 8-BIT ADDRESSABLE LATCH	419242	01295	SN74LS259N		REF	

Table 6-15. A3A8 Synthesizer Control Buffer PCB Assembly (cont)

REF DES	DESCRIPTION	FLUKE STOCK NO.	MFG SPLY CODE	MFG PART NO.	TOT QTY	REC QTY	NOTE
U5	IC, LINEAR, OP-AMP	495051	18324	NE5534N	1	1	
U6⊙	IC, C-MOS, 10-BIT D/A CONVERTER	507566	24355	AD7533LN	2	1	
U7⊙	IC, C-MOS, 10-BIT D/A CONVERTER	507566	24355	AD7533LN	REF		
U8	IC, TTL, LO-PWR, 3-8 LINE DECODER	407585	01295	SN74LS138N	1	1	
U9	IC, OCTAL BUFFERS & LINE DRIVERS	429035	01295	SN74LS244N	1	1	
U10	IC, 8-BIT ADDRESSABLE LATCH	419242	01295	SN74LS259N	REF		
U11	IC, LO-PWR, SCHOTTKY TRI-ST OCTAL, BFR.	429902	12040	DM81LS95N	1	1	
U12⊙	IC, LINEAR, LO-NOISE DUAL OP-AMP	504720	18324	NE5532FE	1	1	
XU1	SOCKET, IC, 16-PIN DIP	370312	91506	316-AG39D	7		
XU2	SOCKET, IC, 16-PIN DIP	370312	91506	316-AG39D	REF		
XU3	SOCKET, 14-PIN	370304	12040	MM74C906N	1		
XU4	SOCKET, IC, 16-PIN DIP	370312	91506	316-AG39D	REF		
XU5	SOCKET, IC, 8-PIN	478016	91506	308-AG39D	2		
XU6	SOCKET, IC, 16-PIN DIP	370312	91506	316-AG39D	REF		
XU7	SOCKET, IC, 16-PIN DIP	370312	91506	316-AG39D	REF		
XU8	SOCKET, IC, 16-PIN DIP	370312	91506	316-AG39D	REF		
XU9	SOCKET, IC, 20-PIN	454421	01295	C932002	2		
XU10	SOCKET, IC, 16-PIN DIP	370312	91506	316-AG39D	REF		
XU11	SOCKET, IC, 20-PIN	454421	01295	C932002	REF		
XU12	SOCKET, IC, 8-PIN	478016	91506	308-AG39D	REF		

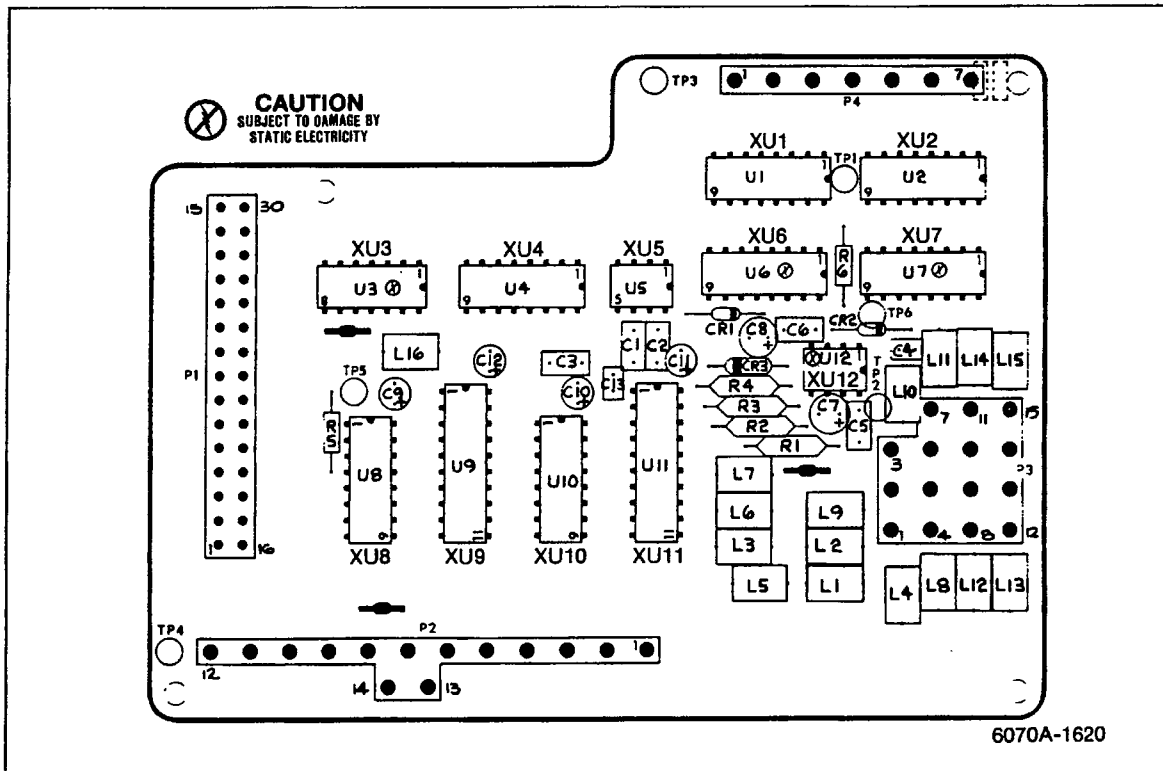


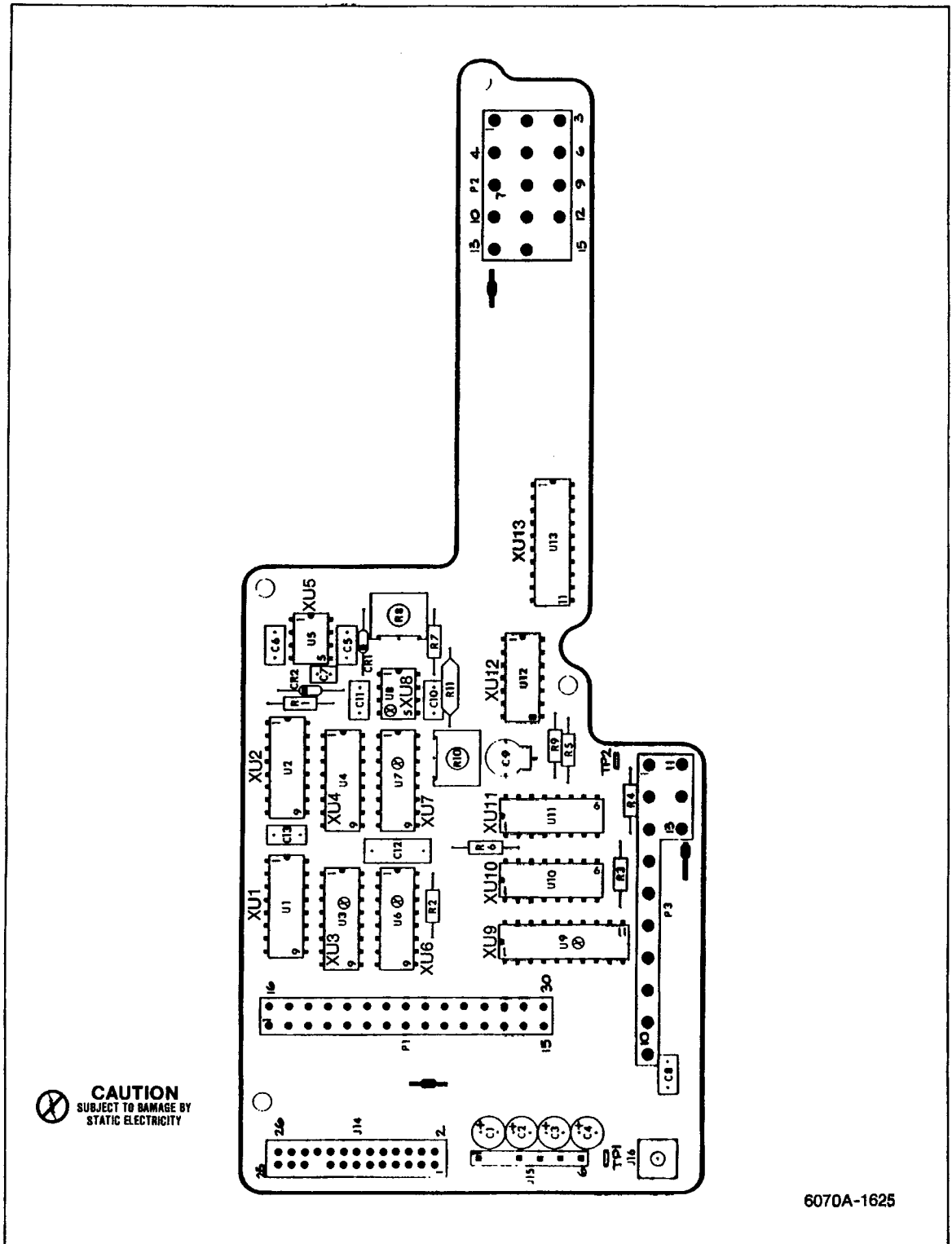
Figure 6-15. A3A8 Synthesizer Control Buffer PCB Assembly

Table 6-16. A3A9 Synthesizer Distribution PCB Assembly

REF DES	DESCRIPTION	FLUKE STOCK NO.	MFG SPLY CODE	MFG PART NO.	TOT QTY	REC QTY	N D T E
A3A9①	SYNTHESIZER DISTRIBUTION PCB ASSEMBLY FIGURE 6-16 (6070A-4025T)	463687	89536	463687		REF	
C1	CAP, TA, 10 UF +/-20%, 20V	330662	56289	196D106X0020KA1	3		
C2	CAP, TA, 10 UF +/-20%, 20V	330662	56289	196D106X0020KA1		REF	
C3	CAP, TA, 10 UF +/-20%, 20V	330662	56289	196D106X0020KA1		REF	
C4	CAP, TA, 6.8 UF +/-20%, 35V	363713	56289	196D685X0035KA1	1		
C5	CAP, CER, 0.22 UF +/-20%, 50V	309849	71590	CW30C224K	6		
C6	CAP, CER, 0.22 UF +/-20%, 50V	309849	71590	CW30C224K		REF	
C7	CAP, CER, 0.001 UF +/-20%, 500V	402966	72982	8121-A100-W5R-102M	1		
C8	CAP, CER, 0.22 UF +/-20%, 50V	309849	71590	CW30C224K		REF	
C9	CAP, VAR, 4.5 - 50 PF, 250V	321117	73899	DVJ305A	1		
C10	CAP, CER, 0.22 UF +/-20%, 50V	309849	71590	CW30C224K		REF	
C11	CAP, CER, 0.22 UF +/-20%, 50V	309849	71590	CW30C224K		REF	
C12	CAP, POLY, 0.12 UF +/-5%, 100V	461582	73445	C280MAH/A120K	1		
C13	CAP, CER, 0.22 UF +/-20%, 50V	309849	71590	CW30C224K		REF	
CR1	DIODE, SI, SMALL SIGNAL	313247	28484	HP5082-6264	2		
CR2	DIODE, SI, SMALL SIGNAL	313247	28484	HP5082-6264		REF	
J14	CONNECTOR, POST	267500	00779	87022-1	25		
J15	CONNECTOR, 6-PIN	512178	27264	09-80-1063	1		
J16	CONNECTOR, RF, SMB	512095	16733	702033	1		
P1	CONNECTOR, POST	267633	00779	86144-1	30		
P2	COMPONENT LEAD, SPRING TYPE	544056	00779	50871-1	27		
P3	COMPONENT LEAD, SPRING TYPE	544056	00779	50871-1		REF	
R1	RES, DEP. CAR, 10K +/-5%, 1/4W	348839	80031	CR251-4-5P10K	1		
R2	RES, DEP. CAR, 620K +/-5%, 1/4W	442509	80031	CR251-4-5P620K	1		
R3	RES, DEP. CAR, 11K +/-5%, 1/4W	441360	80031	CR251-4-5P11K	1		
R4	RES, DEP. CAR, 1K +/-5%, 1/4W	343426	80031	CR251-4-5P1K	1		
R5	RES, DEP. CAR, 510 +/-5%, 1/4W	441600	80031	CR251-4-5P510E	1		
R6	RES, DEP. CAR, 4.7K +/-5%, 1/4W	348821	80031	CR251-4-5P4K7	2		
R7	RES, DEP. CAR, 22K +/-5%, 1/4W	348870	80031	CR251-4-5P22K	1		
R8	RES, VAR, 100K +/-10%, 1/2W	369520	11236	360T-104A	1		
R9	RES, DEP. CAR, 4.7K +/-5%, 1/4W	348821	80031	CR251-4-5P4K7		REF	
R10	RES, VAR, 100 +/-10%, 1/2W	275735	11236	360T-101A	1		
R11	RES, MTL. FILM, 909 +/-1%, 1/8W	312629	91637	CMF559090F	1		
TP1	CONNECTOR, TEST POINT	512889	00779	62395-1	2		
TP2	CONNECTOR, TEST POINT	512889	00779	62395-1		REF	
U1	IC, 8-BIT ADDRESSABLE LATCH	419242	01295	SN74LS259N	3		1
U2	IC, TTL, SCHOTTKY 3-8 LINE DECODER	407585	01295	SN74LS138N	1		1
U3①	IC, C-MOS, 10 BIT D/A CONVERTER	524868	24355	AD7533JN	1		1
U4	IC, 8-BIT ADDRESSABLE LATCH	419242	01295	SN74LS259N		REF	
U5	IC, LINEAR, OP-AMP	472779	12040	LF386N	1		1
U6①	IC, C-MOS, RETRIGGERABLE/RESETTABLE	393512	04713	MC14528CP	1		1
U7①	IC, C-MOS, 10 BIT D/A CONVERTER	507558	24355	AD7533KN	1		1
U8①	IC, LINEAR, OP-AMP	495051	18324	NE5534N	1		1
U9①	IC, LO-PWR, SCHOTTKY TRI-ST OCTAL BFR	429902	12040	DMB1LS95N	1		1
U10	IC, 8-BIT ADDRESSABLE LATCH	419242	01295	SN74LS259N		REF	
U11	IC TTL, LO-PWR SCHOTTKY, DATA SELECT	407577	01295	SN74LS251N	1		1
U12	IC, LINEAR, QUAD COMPARATOR	387233	12040	LM339N	1		1
U13	IC, OCTAL BUFFERS & LINE DRIVERS	429035	01295	SN74LS244N	1		1

Table 6-16. A3A9 Synthesizer Distribution PCB Assembly (cont)

REF DES	DESCRIPTION	FLUKE STOCK NO.	MFG SPLY CODE	MFG PART NO.	TOT QTY	REC QTY	NOTE
XU1	SOCKET, 16-PIN	370312	91506	316-AG39D	8		
XU2	SOCKET, 16-PIN	370312	91506	316-AG39D		REF	
XU3	SOCKET, 16-PIN	370312	91506	316-AG39D		REF	
XU4	SOCKET, 16-PIN	370312	91506	316-AG39D		REF	
XU5	SOCKET, 8-PIN	478016	91506	308-AG39D	2		
XU6	SOCKET, 16-PIN	370312	91506	316-AG39D		REF	
XU7	SOCKET, 16-PIN	370312	91506	316-AG39D		REF	
XU8	SOCKET, 8-PIN	478016	91506	308-AG39D		REF	
XU9	SOCKET, 20-PIN	454421	01295	C932002	2		
XU10	SOCKET, 16-PIN	370312	91506	316-AG39D		REF	
XU11	SOCKET, 16-PIN	370312	91506	316-AG39D		REF	
XU12	SOCKET 14-PIN	370304	12040	MM74C906N		1	
XU13	SOCKET, 20-PIN	454421	01295	C932002		REF	



6070A-1625

Figure 6-16. A3A9 Synthesizer Distribution PCB Assembly

Table 6-17. A3A10 VCO Resonator PCB Assembly

REF DES	DESCRIPTION	FLUKE STOCK NO.	MFG SPLY CODE	MFG PART NO.	TOT QTY	REC QTY	NO TE
A3A10	VCO RESONATOR PCB ASSEMBLY FIGURE 6-17 (6070A-4012T) (MATCHED TO A3A5 PCB)	463364	89536	463364	REF		1
C1	CAP, CHIP, 1000 PF +/-5%, 50V	484378	89536	484378		2	
C2	CAP, CHIP, 1000 PF +/-5%, 50V	484378	89536	484378	REF		
C3	CAP, CHIP, 22 PF +/-5%, 50V	484360	89536	484360		1	
C4	CAP, TA, 68 UF +/-20%, 15V	193615	56289	196D686X0015LA3		1	
C5	CAP, TA, 82 UF +/-20%, 20V	357392	12954	D82GS2D20M		2	
C6	CAP, TA, 82 UF +/-20%, 20V	357392	12954	D82GS2D20M	REF		
C7	CAP, CHIP, 330 PF +/-5%, 50V	512038	89536	512038		2	
C8	CAP, CHIP, 330 PF +/-5%, 50V	512038	89536	512038	REF		
C9	CAP, CER, 0.001 UF +/-20%, 500V	402966	72982	8121-A100-W5R-102M		3	
C10	CAP, CER, 0.001 UF +/-20%, 500V	402966	72982	8121-A100-W5R-102M	REF		
C11	CAP, CER, 0.001 UF +/-20%, 500V	402966	72982	8121-A100-W5R-102M	REF		
C12	CAP, TA, 22 UF +/-20%, 15V	423012	56289	196D226X0015KA1		2	
C13	CAP, TA, 22 UF +/-20%, 15V	423012	56289	196D226X0015KA1	REF		
CR1	DIODE, VARACTOR TUNING (SET OF 4)	534875	91462	DKV6534CM4		1	1 2
CR2	PART OF CR1						2
J1	CONN, COAX, SNAP-ON RECPT, PCB MOUNT	353243	98291	51-053-0000		2	
J2	CONN, COAX, SNAP-ON RECPT, PCB MOUNT	353243	98291	51-053-0000	REF		
L1	INDUCTOR, 10T	463448	89536	463448		1	
L2	CHOKE, 6-TURN	320911	89536	320911		1	
L3	CHOKE, RF, 180 UH +/-5%, 300 MA	174771	72259	WEE-180		2	
L4	CHOKE, RF, 180 UH +/-5%, 300 MA	174771	72259	WEE-180	REF		
R1	RES, COMP, 22 +/-5%, 1/8W	474767	01121	BB1-82205		2	
R2	RES, COMP, 22 +/-5%, 1/8W	474767	01121	BB1-82205	REF		
R3	RES, MTL. FILM, 84.5 +/-1%, 1/8W	236851	91637	CMF558452F		1	
R4	RES, DEP. CAR, 560 +/-5%, 1/4W	385948	80031	CR251-4-5P560E		1	
U1	VCO, HYBRID ASSEMBLY	492793	89536	492793		1	1
U2	VCO BUFFER, HYBRID ASSEMBLY	492736	89536	492736		1	1
W42	CABLE ASSEMBLY	508986	89536	508986		1	
1	BEFORE ORDERING SPARE PARTS OR SPARE PCB ASSEMBLIES, PLEASE CONTACT YOUR NEAREST JOHN FLUKE SERVICE CENTER FOR INFORMATION						
2	MATCHED TO CR1/CR2 LOCATED ON ASSEMBLY A3A5.						

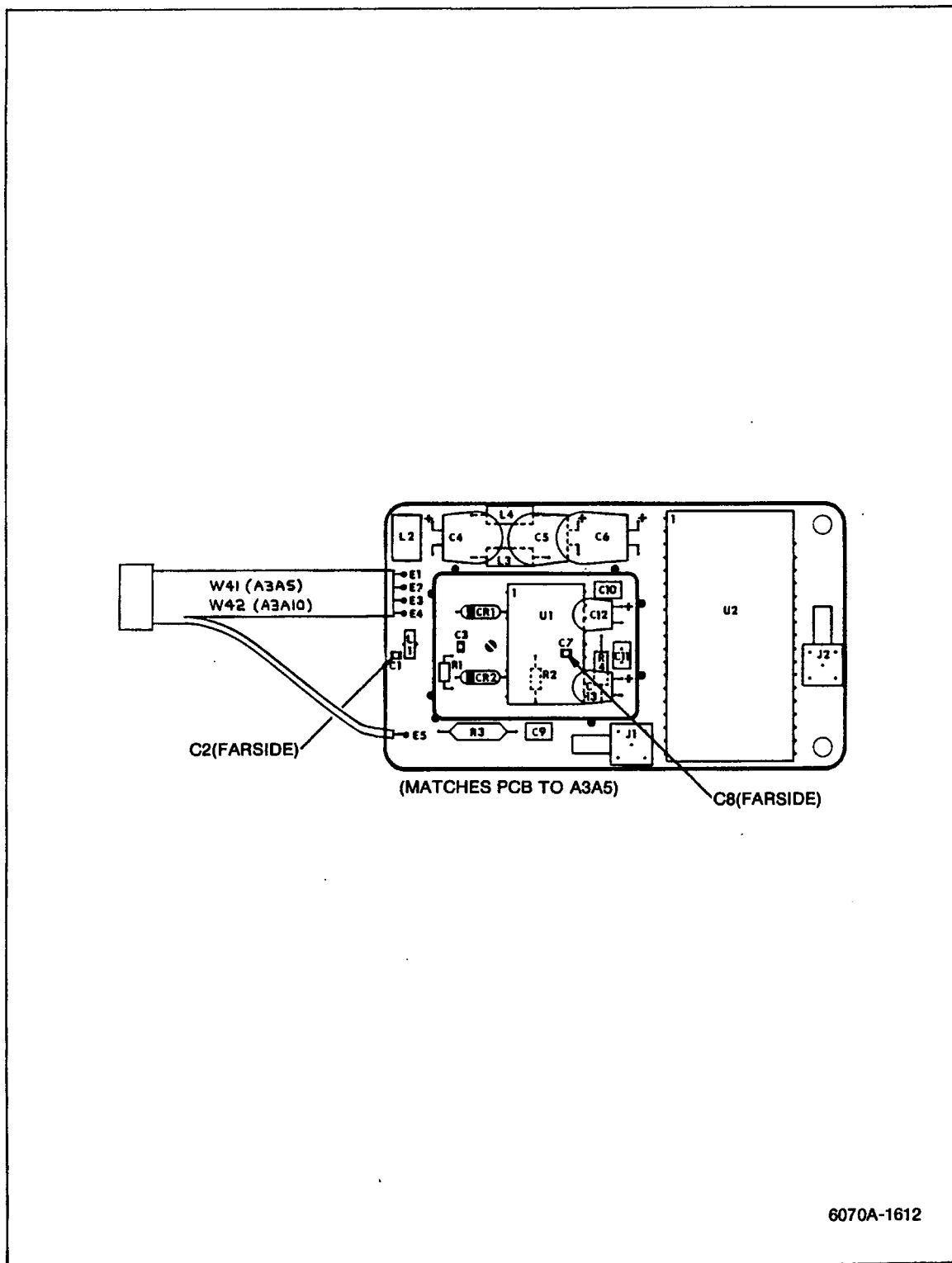
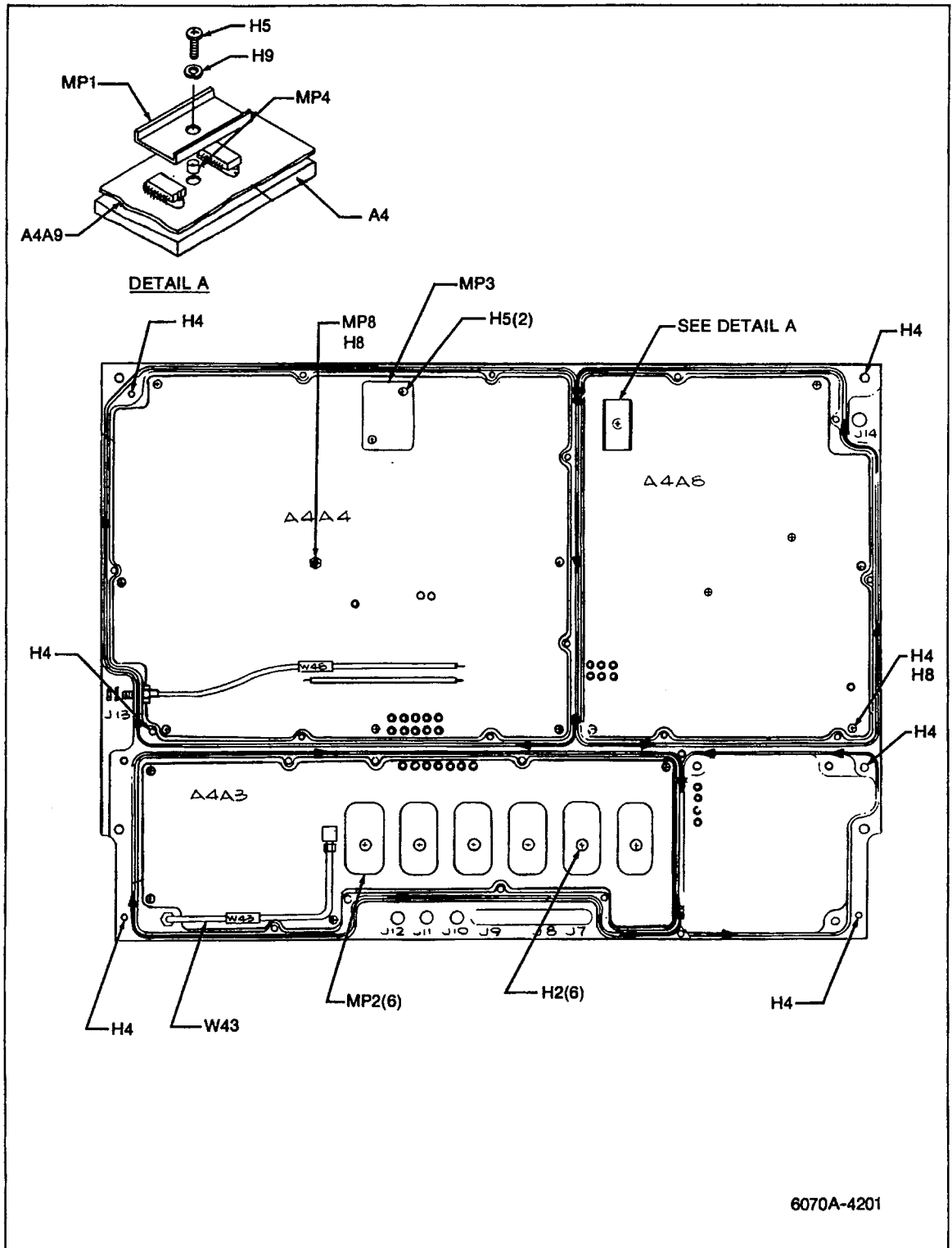


Figure 6-17. A3A10 VCO Resonator PCB Assembly

Table 6-18. A4 Output Module Assembly

REF DES	DESCRIPTION	FLUKE STOCK NO.	MFG SPLY CODE	MFG PART NO.	TOT QTY	REC QTY	N D T E
A4⊕	OUTPUT MODULE ASSEMBLY FIGURE 6-18 (6070A-4201)	497172	89536	497172		REF	
A4A1	HEADER, MOD OSC/MOD PCB ASSEMBLY (NOT ILLUSTRATED)	578567	89536	578567		1	
A4A2⊕	MODULATION OSCILLATOR PCB ASSEMBLY	469593	89536	469593		1	
A4A3	ATTENUATOR PCB ASSEMBLY	462432	89536	462432		1	
A4A4⊕	MODULATOR DIVIDER PCB ASSEMBLY	463596	89536	463596		1	
A4A6⊕	X2 OUTPUT AMPLIFIER PCB ASSEMBLY (USED ON THE 6071A ONLY)	546465	89536	546465		1	
A4A7⊕	OUTPUT AMPLIFIER PCB ASSEMBLY (USED ON THE 6070A ONLY)	463505	89536	463505		1	
A4A8⊕	HETRODYNE OSCILLATOR PCB ASSEMBLY	463588	89536	463588		1	
A4A9	HETRODYNE CONVERTER PCB ASSEMBLY	463562	89536	463562		1	
A4A10⊕	MOD DISTRIBUTION PCB ASSEMBLY	463570	89536	463570		1	
H1	SCREW, CAP, 6-32 X 1/4	528281	89536	528281		8	
H2	SCREW, FHP, 6-32 X 3/4	114504	89536	114504		6	
H4	SCREW, PHP, 6-32 X 9/32	544122	89536	544122		51	
H5	SCREW, PHP, 6-32 X 5/8	412841	89536	412841		3	
H8	WASHER, SPRING STEEL	571968	89536	571968		34	
H9	WASHER, SPLIT LOCK #6	110692	89536	110692		1	
MP1	BRACKET, HEATSINK	577155	89536	577155		1	
MP2	CAN, ATTEN. PLATED	604009	89536	604009		6	
MP3	CAN, MODULE DIVIDER	535435	89536	535435		1	
MP4	SPACER	103499	89536	103499		1	
MP5	AIDE, PCB PULL	541730	89536	541730		30	
MP7	SPACER, X2 HEATSINK	536078	89536	536078		6	
MP8	SPACER, MODULE DIVIDER	585372	89536	585372		1	
MP9	INSERT, FEED THRU	516252	89536	516252		1	
W43	CABLE ASSEMBLY	524702	89536	524702		1	



6070A-4201

Figure 6-18. A4 Output Module Assembly

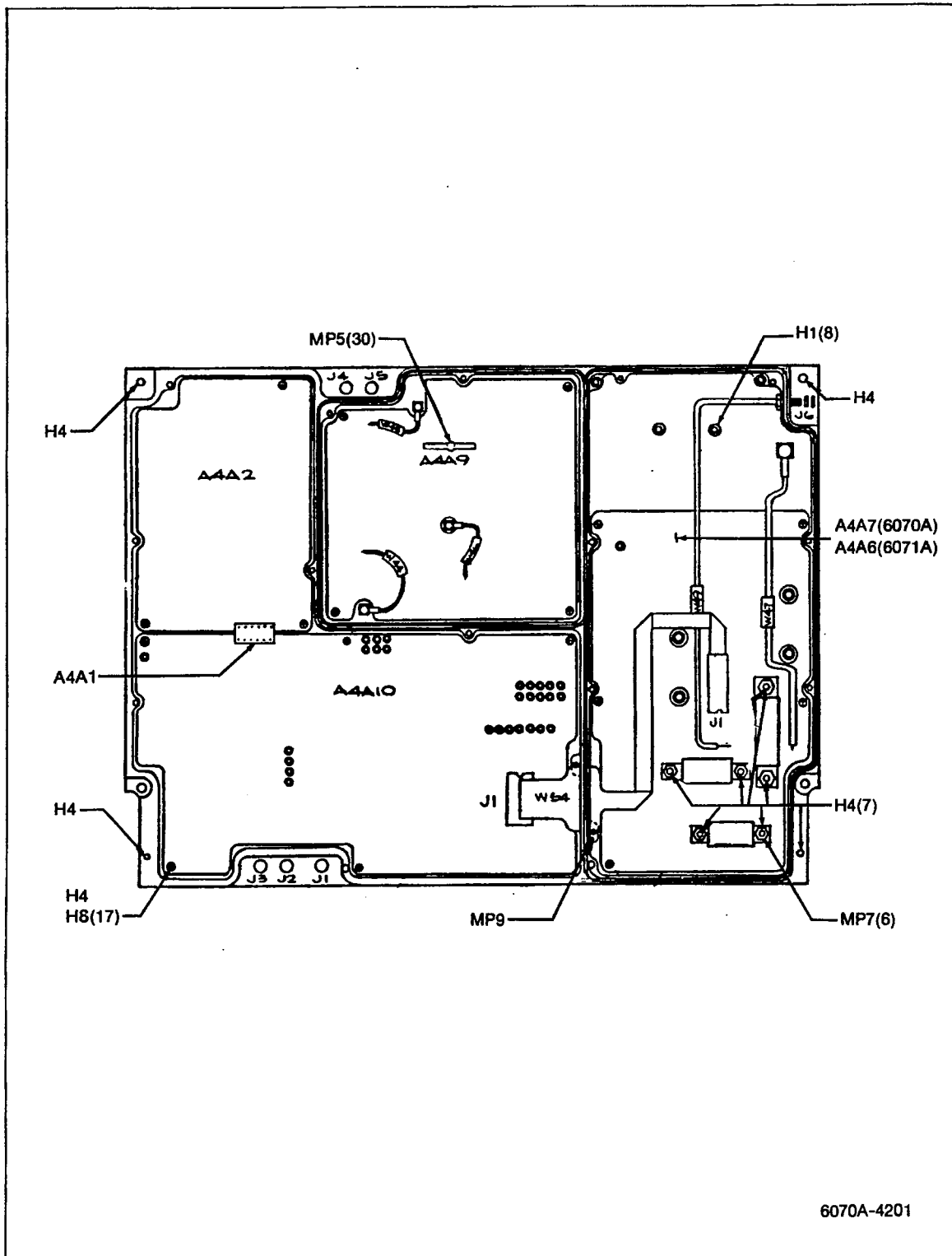


Figure 6-18. A4 Output Module Assembly (cont)

Table 6-19. A4A2 Modulation Oscillator PCB Assembly

REF DES	DESCRIPTION	FLUKE STOCK NO.	MFG SPLY CODE	MFG PART NO.	TOT QTY	REC QTY	NO TE
A4A2②	MODULATION OSCILLATOR PCB ASSEMBLY FIGURE 6-19 (6070A-4026T)	469593	89536	469593			REF
C1	CAP, TA, 0.68 UF +/-10%, 35V	182790	56289	150D684X9035A2	1		
C2	CAP, CER, 0.068 UF +/-5%, 50V	542902	89536	542902	1		
C3	CAP, CER, 6800 PF +/-5%, 50V	542894	89536	542894	1		
C4	CAP, CER, 680 PF +/-5%, 50V	528273	89536	528273	1		
C5	CAP, CER, 0.22 UF +/-20%, 50V	309849	71590	CW30C224K	10		
C6	CAP, CER, 0.22 UF +/-20%, 50V	309849	71590	CW30C224K			REF
C8	CAP, CER, 0.22 UF +/-20%, 50V	309849	71590	CW30C224K			REF
C9	CAP, CER, 22 PF +/-2%, 100V	512871	89536	512871	4		
C10	CAP, CER, 0.22 UF +/-20%, 50V	309849	71590	CW30C224K			REF
C13	CAP, POLY, 0.793 UF +/-1%, 50V	413591	89536	413591	2		
C14	CAP, POLY, 0.0786 UF +/-1%, 50V	422998	89536	422980	2		
C15	CAP, POLY, 0.00715 UF +/-1%	422980	89536	422980	2		
C16	CAP, POLY, 794 PF +/-1%, 63V	528398	12954	B31063/794/1/63	2		
C17	CAP, CER, 0.22 UF +/-20%, 50V	309849	71590	CW30C224K			REF
C18	CAP, CER, 22 PF +/-2%, 100V	512871	89536	512871			REF
C19	CAP, CER, 0.22 UF +/-20%, 50V	309849	71590	CW30C224K			REF
C20	CAP, CER, 0.22 UF +/-20%, 50V	309849	71590	CW30C224K			REF
C21	CAP, CER, 0.22 UF +/-20%, 50V	309849	71590	CW30C224K			REF
C22	CAP, CER, 22 PF +/-2%, 100V	512871	89536	512871			REF
C23	CAP, POLY, 0.793 UF +/-1%, 50V	413591	89536	413591			REF
C24	CAP, POLY, 0.0786 UF +/-1%, 50V	422998	89536	422980			REF
C25	CAP, POLY, 0.00715 UF +/-1%	422980	89536	422980			REF
C26	CAP, POLY, 794 PF +/-1%, 63V	528398	12954	B31063/794/1/63			REF
C27	CAP, CER, 0.22 UF +/-20%, 50V	309849	71590	CW30C224K			REF
C28	CAP, CER, 22 PF +/-2%, 100V	512871	89536	512871			REF
C29	CAP, CER, 0.22 UF +/-20%, 50V	309849	71590	CW30C224K			REF
CR1	DIODE, HI-SPEED SWITCHING	203323	07910	1N4448	4		1
CR2	DIODE, HI-SPEED SWITCHING	203323	07910	1N4448			REF
CR3	DIODE, HI-SPEED SWITCHING	203323	07910	1N4448			REF
CR4	DIODE, SI, SMALL SIGNAL	313247	28484	HP5082-6264	7		2
CR5	DIODE, SI, SMALL SIGNAL	313247	28484	HP5082-6264			REF
CR6	DIODE, SI, SMALL SIGNAL	313247	28484	HP5082-6264			REF
CR7	DIODE, SI, SMALL SIGNAL	313247	28484	HP5082-6264			REF
CR8	DIODE, ZENER	357848	04713	SZG20118	1		1
CR9	DIODE, SI, SMALL SIGNAL	313247	28484	HP5082-6264			REF
CR10	DIODE, SI, SMALL SIGNAL	313247	28484	HP5082-6264			REF
CR11	DIODE, SI, SMALL SIGNAL	313247	28484	HP5082-6264			REF
CR12	DIODE, HI-SPEED SWITCHING	203323	07910	1N4448			REF
J1	CONNECTOR	530261	00779	87334-4	1		
J14	CONNECTOR, RF, SMB	512095	16733	702033	1		
K1	RELAY, DRY REED	484444	21317	E51AX4	3		1
K2	RELAY, DRY REED	484444	21317	E51AX4			REF
K3	RELAY, DRY REED	484444	21317	E51AX4			REF
Q1	TRANSISTOR, FET	413690	89536	413690	1		1
Q2	TRANSISTOR, FET	477448	89536	477448	1		1
R1	RES, DEP. CAR, 3.3K +/-5%, 1/4W	348813	80031	CR251-4-5P3K3	1		
R2	RES, DEP. CAR, 1.5K +/-5%, 1/4W	343418	80031	CR251-4-5P1K5	1		

Table 6-19. A4A2 Modulation Oscillator PCB Assembly (cont)

REF DES	DESCRIPTION	FLUKE STOCK NO.	MFG SPLY CODE	MFG PART NO.	TOT QTY	REC QTY	N O T E
R6	RES, VAR, +/-10%, 1/2W	309674	75378	360T-103A	1		
R7	RES, MTL. FILM, 42.2K +/-1%, 1/8W	221655	91637	CMF554222F	1		
R8	RES, MTL. FILM, 2.80K +/-1%, 1/8W	325670	91637	CMF552801F	1		
R9	RES, MTL. FILM, 5.49K +/-1%, 1/8W	334565	91637	CMF555491F	1		
R10	RES, MTL. FILM, 100K +/-1%, 1/8W	248807	91637	CMF551003F	3		
R11	RES, MTL. FILM, 3.32K +/-1%, 1/8W	312652	91637	CMF553321F	1		
R12	RES, MTL. FILM, 49.9K +/-1%, 1/8W	268821	91637	CMF554992F	1		
R13	RES, VAR, 1K +/-10%, 1/2W	275750	11236	360T102A	1		
R14	RES, MTL. FILM, 2.21K +/-1%, 1/8W	347476	91637	CMF552211F	1		
R15	RES, MTL. FILM, 100K +/-1%, 1/8W	248807	91637	CMF551003F		REF	
R16	RES, MTL. FILM, 475 +/-1%, 1/8W	320010	91637	CMF554750F	1		
R17	RES, MTL. FILM, 100K +/-1%, 1/8W	248807	91637	CMF551003F		REF	
R18	RES, MTL. FILM, 3.16K +/-1%, 1/8W	235291	91637	CMF553161F	1		
R19	RES, DEP. CAR, 22K +/-5%, 1/4W	348870	80031	CR251-4-5P22K	1		
R20	RES, MTL. FILM, 4.99K +/-1%, 1/8W	168252	91637	CMF554991F	4		
R21	RES, MTL. FILM, 4.99K +/-1%, 1/8W	168252	91637	CMF554991F		REF	
R22	RES, MTL. FILM, 316K +/-1%, 1/8W	289496	91637	CMF553163F	1		
R23	RES, VAR, 100K +/-10%, 1/2W	369520	11236	360T-104A	1		
R24	RES, DEP. CAR, 100K +/-5%, 1/4W	348920	80031	CR251-4-5P100K	2		
R25	RES, MTL. FILM, 4.99K +/-1%, 1/8W	168252	91637	CMF554991F		REF	
R26	RES, MTL. FILM, 4.99K +/-1%, 1/8W	168252	91637	CMF554991F		REF	
R27	RES, VAR, 20K +/-10%, 1/2W	335760	11236	360T203A	2		
R28	RES, DEP. CAR, 1M +/-5%, 1/4W	348987	80031	CR251-4-5P1M	2		
R29	RES, VAR, 20K +/-10%, 1/2W	335760	11236	360T203A		REF	
R30	RES, DEP. CAR, 100K +/-5%, 1/4W	348920	80031	CR251-4-5P100K		REF	
R31	RES, DEP. CAR, 1M +/-5%, 1/4W	348987	80031	CR251-4-5P1M		REF	
TP1	CONNECTOR, TEST POINT	512889	00779	62395-1	5		
TP2	CONNECTOR, TEST POINT	512889	00779	62395-1		REF	
TP3	CONNECTOR, TEST POINT	512889	00779	62395-1		REF	
TP4	CONNECTOR, TEST POINT	512889	00779	62395-1		REF	
TP5	CONNECTOR, TEST POINT	512889	00779	62395-1		REF	
U10	IC, 8-BIT ADDRESSABLE LATCH	419242	01295	SN74LS259N	2	1	
U20	IC, 8-BIT ADDRESSABLE LATCH	419242	01295	SN74LS259N		REF	
U3	IC, LINEAR, QUAD COMPARATOR	387233	12040	LM339N	2	1	
U4	IC, LINEAR, QUAD COMPARATOR	387233	12040	LM339N		REF	
U5	RESISTOR NETWORK	414003	89536	414003	1	1	
U6	IC, LINEAR, OP-AMP, J-FET INPUT	483438	89536	483438	1	1	
U8	IC, LINEAR OP-AMP	495051	18324	NE5534N	4	1	
U10	IC, HYBRID ASSEMBLY	480756	89536	480756	2	1	
U110	IC, LINEAR, D-MOS FET QUAD ANALOG	507228	18324	SD50021J	4	1	
U120	IC, LINEAR, D-MOS FET QUAD ANALOG	507228	18324	SD50021J		REF	
U13	IC, LINEAR OP-AMP	495051	18324	NE5534N		REF	
U14	IC, HYBRID ASSEMBLY	480756	89536	480756		REF	
U150	IC, LINEAR, D-MOS FET QUAD ANALOG	507228	18324	SD50021J		REF	
U160	IC, LINEAR, D-MOS FET QUAD ANALOG	507228	18324	SD50021J		REF	
U17	IC, LINEAR OP-AMP	495051	18324	NE5534N		REF	
U18	IC, LINEAR OP-AMP	495051	18324	NE5534N		REF	
U19	RESISTOR NETWORK	501841	89536	501841	1	1	
U20	IC, TTL, HEX INVERTER	407593	01295	SN7406N	1	1	
XQ2	SOCKET, TRANSISTOR	285262	71785	1-33-23-92-045	1		

Table 6-19. A4A2 Modulation Oscillator PCB Assembly (cont)

REF DES	DESCRIPTION	FLUKE STCKD NO.	MFG SPLY CODE	MFG PART NO.	TOT QTY	REC QTY	NOTE
XU1	SOCKET, IC 16-PIN	276535	91506	316-AG39D	7		
XU2	SOCKET, IC 16-PIN	276535	91506	316-AG39D	REF		
XU3	SOCKET, IC 14-PIN	276527	91507	314-AG39D	4		
XU4	SOCKET, IC 14-PIN	276527	91507	314-AG39D	REF		
XU6	SOCKET, IC 14-PIN	276527	91507	314-AG39D	REF		
XU8	SOCKET, IC 8-PIN	478016	91506	308-AG39D	4		
XU11	SOCKET, IC 16-PIN	276535	91506	316-AG39D	REF		
XU12	SOCKET, IC 16-PIN	276535	91506	316-AG39D	REF		
XU13	SOCKET, IC 8-PIN	478016	91506	308-AG39D	REF		
XU15	SOCKET, IC 16-PIN	276535	91506	316-AG39D	REF		
XU16	SOCKET, IC 16-PIN	276535	91506	316-AG39D	REF		
XU17	SOCKET, IC 8-PIN	478016	91506	308-AG39D	REF		
XU18	SOCKET, IC 8-PIN	478016	91506	308-AG39D	REF		
XU19	SOCKET, IC 16-PIN	276535	91506	316-AG39D	REF		
XU20	SOCKET, IC 14-PIN	276527	91507	314-AG39D	REF		

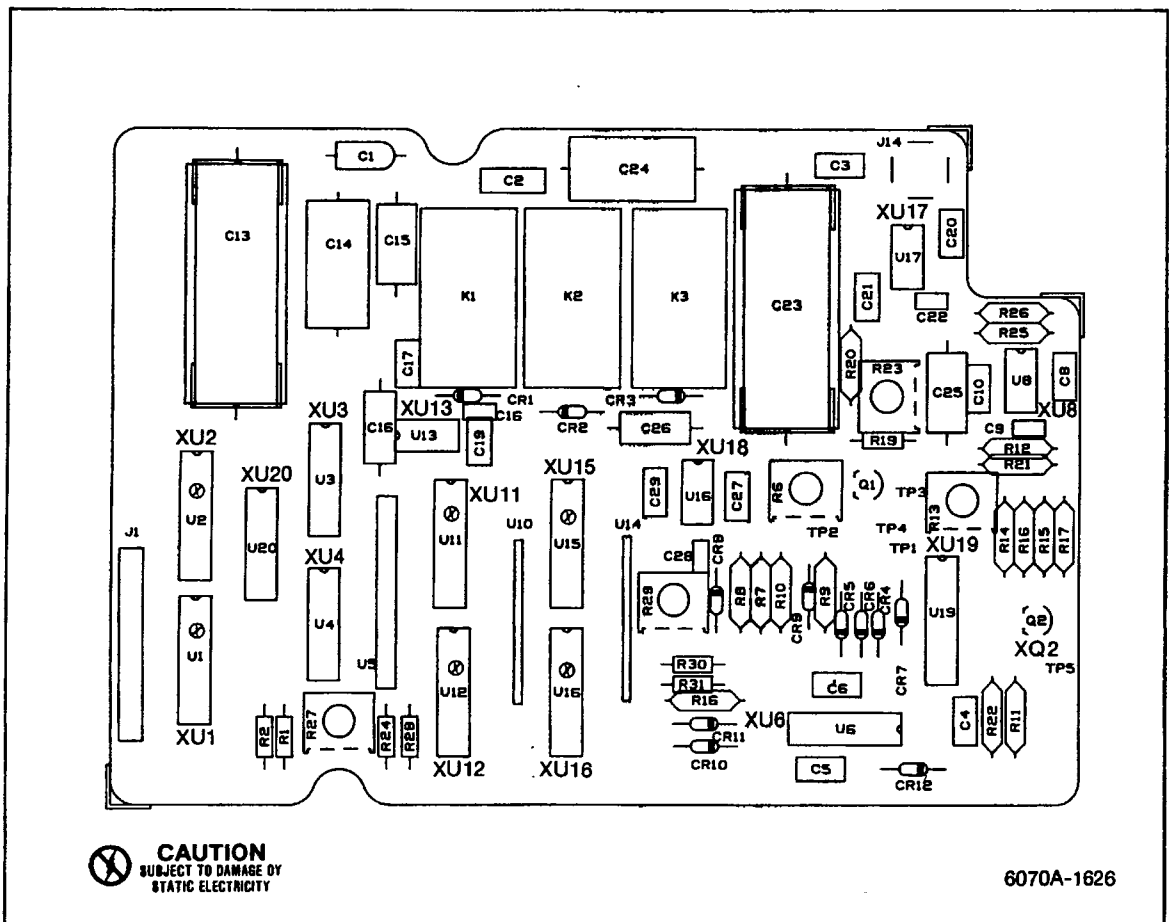


Figure 6-19. A4A2 Modulation Oscillator PCB Assembly

Table 6-20. A4A3 Attenuator PCB Assembly

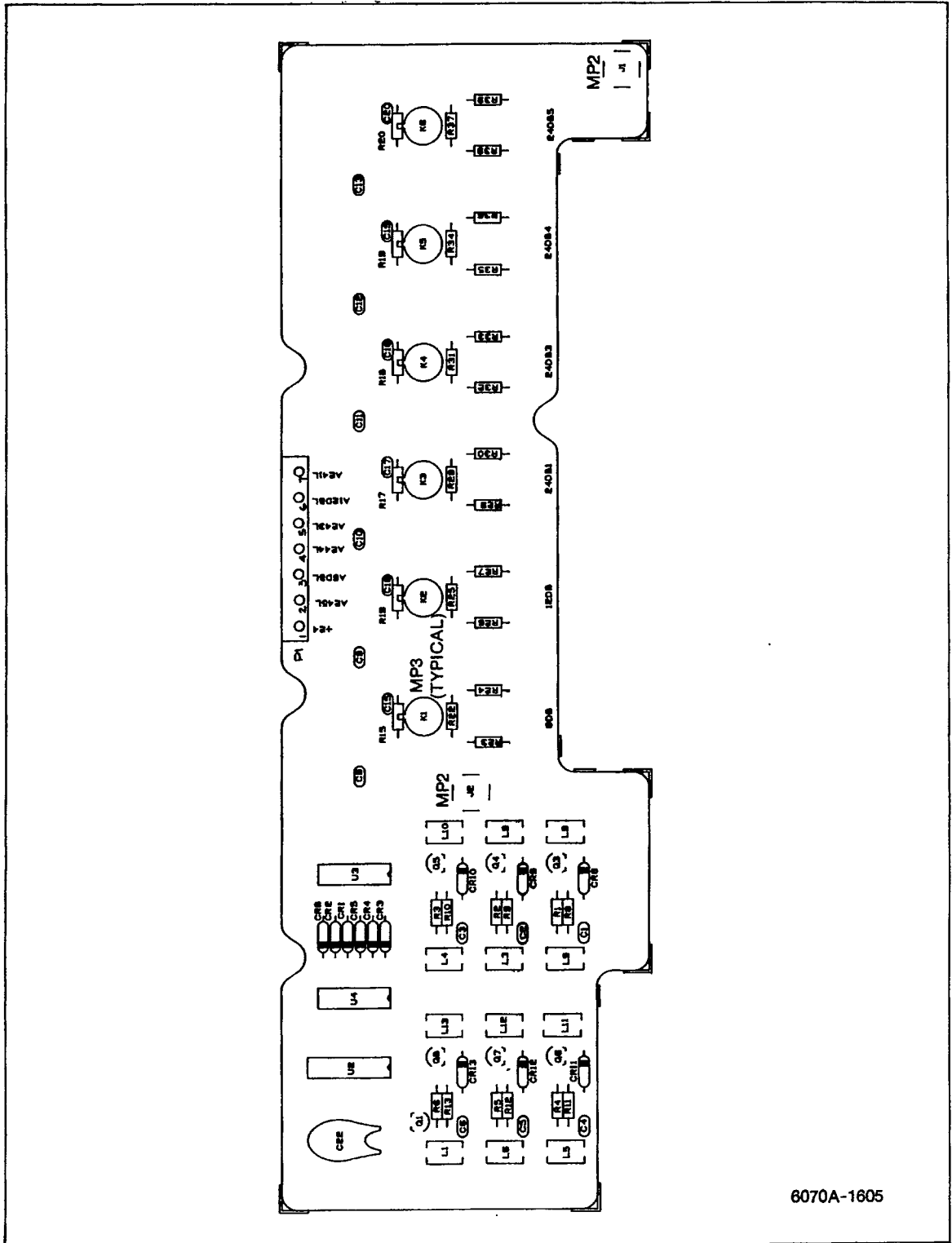
REF DES	DESCRIPTION	FLUKE STOCK NO.	MFG SPLY CODE	MFG PART NO.	TOT QTY	REC QTY	NO TE
A4A3	ATTENUATOR PCB ASSEMBLY FIGURE 6-20 (6070A-4005T)	462432	89536	462432	REF		1
C1	CAP, CER, .001 UF +/-20%, 500V	402966	72982	8121-A100-W5R-102M	16		
C2	CAP, CER, .001 UF +/-20%, 500V	402966	72982	8121-A100-W5R-102M	REF		
C3	CAP, CER, .001 UF +/-20%, 500V	402966	72982	8121-A100-W5R-102M	REF		
C4	CAP, CER, .001 UF +/-20%, 500V	402966	72982	8121-A100-W5R-102M	REF		
C5	CAP, CER, .001 UF +/-20%, 500V	402966	72982	8121-A100-W5R-102M	REF		
C6	CAP, CER, .001 UF +/-20%, 500V	402966	72982	8121-A100-W5R-102M	REF		
C8	CAP, CER, .001 UF +/-20%, 500V	402966	72982	8121-A100-W5R-102M	REF		
C9	CAP, CER, .001 UF +/-20%, 500V	402966	72982	8121-A100-W5R-102M	REF		
C10	CAP, CER, .001 UF +/-20%, 500V	402966	72982	8121-A100-W5R-102M	REF		
C11	CAP, CER, .001 UF +/-20%, 500V	402966	72982	8121-A100-W5R-102M	REF		
C12	CAP, CER, .001 UF +/-20%, 500V	402966	72982	8121-A100-W5R-102M	REF		
C13	CAP, CER, .001 UF +/-20%, 500V	402966	72982	8121-A100-W5R-102M	REF		
C15	CAP, CER, .001 UF +/-20%, 500V	402966	72982	8121-A100-W5R-102M	REF		
C16	CAP, CER, .001 UF +/-20%, 500V	402966	72982	8121-A100-W5R-102M	REF		
C17	CAP, CER, .001 UF +/-20%, 500V	402966	72982	8121-A100-W5R-102M	REF		
C18	CAP, CER, .001 UF +/-20%, 500V	402966	72982	8121-A100-W5R-102M	REF		
C19	CAP, CER, .001 UF +/-20%, 500V	402966	72982	8121-A100-W5R-102M	REF		
C20	CAP, CER, .001 UF +/-20%, 500V	402966	72982	8121-A100-W5R-102M	REF		
C22	CAP, TA, 22 UF +/-20%, 35V	394775	56289	196D226X0035TE4	1		
CR1	DIODE, LO-CAP, LO-LEAK	375907	07263	FD7222	6	2	
CR2	DIODE, LO-CAP, LO-LEAK	375907	07263	FD7222	REF		
CR3	DIODE, LO-CAP, LO-LEAK	375907	07263	FD7222	REF		
CR4	DIODE, LO-CAP, LO-LEAK	375907	07263	FD7222	REF		
CR5	DIODE, LO-CAP, LO-LEAK	375907	07263	FD7222	REF		
CR6	DIODE, LO-CAP, LO-LEAK	375907	07263	FD7222	REF		
CR8	DIODE, ZENER, 24.0V +/-5%	267807	04713	1N9708	6	2	
CR9	DIODE, ZENER, 24.0V +/-5%	267807	04713	1N9708	REF		
CR10	DIODE, ZENER, 24.0V +/-5%	267807	04713	1N9708	REF		
CR11	DIODE, ZENER, 24.0V +/-5%	267807	04713	1N9708	REF		
CR12	DIODE, ZENER, 24.0V +/-5%	267807	04713	1N9708	REF		
CR13	DIODE, ZENER, 24.0V +/-5%	267807	04713	1N9708	REF		
H1	WASHER, CRESCENT SPRING	544239	89536	544239	6		
J1	CONNECTOR, RF, RECEPTACLE	512087	16733	705147-001	1		
J2	CONNECTOR, CON HEX R.A.	512855	74970	142-0299-006	1		
K1	RELAY, ARMATURE	528638	11532	712-26	6	2	2
K2	RELAY, ARMATURE	528638	11532	712-26	REF		2
K3	RELAY, ARMATURE	528638	11532	712-26	REF		2
K4	RELAY, ARMATURE	528638	11532	712-26	REF		2
K5	RELAY, ARMATURE	528638	11532	712-26	REF		2
K6	RELAY, ARMATURE	528638	11532	712-26	REF		2
L1	CHOKE, 6-TURN	320911	89536	320911	12		
L2	CHOKE, 6-TURN	320911	89536	320911	REF		
L3	CHOKE, 6-TURN	320911	89536	320911	REF		
L4	CHOKE, 6-TURN	320911	89536	320911	REF		
L5	CHOKE, 6-TURN	320911	89536	320911	REF		
L6	CHOKE, 6-TURN	320911	89536	320911	REF		
L8	CHOKE, 6-TURN	320911	89536	320911	REF		

Table 6-20. A4A3 Attenuator PCB Assembly (cont)

REF DES	DESCRIPTION	FLUKE STOCK NO.	MFG SPLY CODE	MFG PART NO.	TOT QTY	REC QTY	NOTE
L9	CHOKE, 6-TURN	320911	89536	320911		REF	
L10	CHOKE, 6-TURN	320911	89536	320911		REF	
L11	CHOKE, 6-TURN	320911	89536	320911		REF	
L12	CHOKE, 6-TURN	320911	89536	320911		REF	
L13	CHOKE, 6-TURN	320911	89536	320911		REF	
MP1	AIDE, PCB PULL (NOT SHOWN)	541730	89536	541730	3		
MP2	CONNECTOR COVERS (W/J1, J2)	488445	89536	488445	2		
MP3	TAB, COPPER (W/K1 - K6)	541672	89536	541672	6		
P1	CONNECTOR, RECEPTACLE	544056	89536	544056	7		
Q1	TRANSISTOR, SI, NPN	218081	04713	MPS6520	1	1	
Q3	TRANSISTOR, SI, PNP	418707	04713	MPS56562	6		2
Q4	TRANSISTOR, SI, PNP	418707	04713	MPS56562	REF		
Q5	TRANSISTOR, SI, PNP	418707	04713	MPS56562	REF		
Q6	TRANSISTOR, SI, PNP	418707	04713	MPS56562	REF		
Q7	TRANSISTOR, SI, PNP	418707	04713	MPS56562	REF		
Q8	TRANSISTOR, SI, PNP	418707	04713	MPS56562	REF		
R1	RES, DEP. CAR, 7.5K +/-5%, 1/4W	441667	80031	CR251-4-5P7K5	6		
R2	RES, DEP. CAR, 7.5K +/-5%, 1/4W	441667	80031	CR251-4-5P7K5	REF		
R3	RES, DEP. CAR, 7.5K +/-5%, 1/4W	441667	80031	CR251-4-5P7K5	REF		
R4	RES, DEP. CAR, 7.5K +/-5%, 1/4W	441667	80031	CR251-4-5P7K5	REF		
R5	RES, DEP. CAR, 7.5K +/-5%, 1/4W	441667	80031	CR251-4-5P7K5	REF		
R6	RES, DEP. CAR, 7.5K +/-5%, 1/4W	441667	80031	CR251-4-5P7K5	REF		
R8	RES, DEP. CAR, 680 +/-5%, 1/4W	368779	80031	CR251-4-5P680E	6		
R9	RES, DEP. CAR, 680 +/-5%, 1/4W	368779	80031	CR251-4-5P680E	REF		
R10	RES, DEP. CAR, 680 +/-5%, 1/4W	368779	80031	CR251-4-5P680E	REF		
R11	RES, DEP. CAR, 680 +/-5%, 1/4W	368779	80031	CR251-4-5P680E	REF		
R12	RES, DEP. CAR, 680 +/-5%, 1/4W	368779	80031	CR251-4-5P680E	REF		
R13	RES, DEP. CAR, 680 +/-5%, 1/4W	368779	80031	CR251-4-5P680E	REF		
R15	RES, DEP. CAR, 510, +/-5%, 1/4W	441600	80031	CR251-4-5P510E	6		
R16	RES, DEP. CAR, 510, +/-5%, 1/4W	441600	80031	CR251-4-5P510E	REF		
R17	RES, DEP. CAR, 510, +/-5%, 1/4W	441600	80031	CR251-4-5P510E	REF		
R18	RES, DEP. CAR, 510, +/-5%, 1/4W	441600	80031	CR251-4-5P510E	REF		
R19	RES, DEP. CAR, 510, +/-5%, 1/4W	441600	80031	CR251-4-5P510E	REF		
R20	RES, DEP. CAR, 510, +/-5%, 1/4W	441600	80031	CR251-4-5P510E	REF		
R22	RES, MTL. FILM, 37.4 +/-0.1%, 1/8W	461079	89536	461079	1		2
R23	RES, MTL. FILM, 150.0 +/-0.1%, 1/8W	461624	89536	461624	2		2
R24	RES, MTL. FILM, 150.0 +/-0.1%, 1/8W	461624	89536	461624	REF		2
R25	RES, MTL. FILM, 94.2 +/-0.1%, 1/8W	461616	89536	461616	1		2
R26	RES, MTL. FILM, 83.5 +/-0.1%, 1/8W	461608	89536	461608	2		2
R27	RES, MTL. FILM, 83.5 +/-0.1%, 1/8W	461608	89536	461608	REF		2
R28	RES, MTL. FILM, 402.0 +/-0.1%, 1/8W	461632	89536	461362	4		2
R29	RES, MTL. FILM, 56.9 +/-0.1%, 1/8W	461590	89536	461590	8		2
R30	RES, MTL. FILM, 56.9 +/-0.1%, 1/8W	461590	89536	461590	REF		2
R31	RES, MTL. FILM, 402.0 +/-0.1%, 1/8W	461632	89536	461362	REF		2
R32	RES, MTL. FILM, 56.9 +/-0.1%, 1/8W	461590	89536	461590	REF		2
R33	RES, MTL. FILM, 56.9 +/-0.1%, 1/8W	461590	89536	461590	REF		2
R34	RES, MTL. FILM, 402.0 +/-0.1%, 1/8W	461632	89536	461362	REF		2
R35	RES, MTL. FILM, 56.9 +/-0.1%, 1/8W	461590	89536	461590	REF		2
R36	RES, MTL. FILM, 56.9 +/-0.1%, 1/8W	461590	89536	461590	REF		2
R37	RES, MTL. FILM, 402.0 +/-0.1%, 1/8W	461632	89536	461362	REF		2

Table 6-20. A4A3 Attenuator PCB Assembly (cont)

REF DES	DESCRIPTION	FLUKE STOCK NO.	MFG SPLY CODE	MFG PART NO.	TOT QTY	REC QTY	NOTE
R38	RES, MTL. FILM, 56.9 +/-0.1%, 1/8W	461590	89536	461590	REF		2
R39	RES, MTL. FILM, 56.9 +/-0.1%, 1/8W	461590	89536	461590	REF		2
U2	IC, 5 TRANSISTOR ARRAY	380188	02735	CA3183E	1	1	
U3	RESISTOR NETWORK, 1K	407445	89536	407445	1	1	
U4	RESISTOR NETWORK, 10K	364000	89536	364000	1	1	
1	BEFORE ORDERING SPARE PARTS OR SPARE PCB ASSEMBLIES, PLEASE CONTACT YOUR NEAREST JOHN FLUKE SERVICE CENTER FOR INFORMATION.						
2	IF THESE COMPONENTS FAIL, THE USER IS URGED TO RETURN THE GENERATOR TO THE NEAREST JOHN FLUKE SERVICE CENTER.						



6070A-1605

Figure 6-20. A4A3 Attenuator PCB Assembly

Table 6-21. A4A4 Modulator Divider PCB Assembly

REF DES	DESCRIPTION	FLUKE STOCK NO.	MFG SPLY CODE	MFG PART NO.	TOT QTY	REC QTY	NOTE
A4A4④	MODULATOR DIVIDER PCB ASSEMBLY FIGURE 6-21 (6070A-4016T)	463596	89536	463596			REF
C1	CAP, TA, 10 UF +/-20%, 20V	330662	56289	196D106X0020KA1	14		
C2	CAP, CER, 0.001 UF +/-20%, 500V	402966	72982	8121-A100-W5R-102M	25		
C3	CAP, TA, 10 UF +/-20%, 20V	330662	56289	196D106X0020KA1			REF
C4	CAP, TA, 10 UF +/-20%, 20V	330662	56289	196D106X0020KA1			REF
C5	CAP, TA, 10 UF +/-20%, 20V	330662	56289	196D106X0020KA1			REF
C6	CAP, TA, 10 UF +/-20%, 20V	330662	56289	196D106X0020KA1			REF
C7	CAP, TA, 10 UF +/-20%, 20V	330662	56289	196D106X0020KA1			REF
C8	CAP, TA, 10 UF +/-20%, 20V	330662	56289	196D106X0020KA1			REF
C9	CAP, TA, 10 UF +/-20%, 20V	330662	56289	196D106X0020KA1			REF
C10	CAP, TA, 10 UF +/-20%, 20V	330662	56289	196D106X0020KA1			REF
C11	CAP, TA, 10 UF +/-20%, 20V	330662	56289	196D106X0020KA1			REF
C12	CAP, TA, 10 UF +/-20%, 20V	330662	56289	196D106X0020KA1			REF
C14	CAP, CER, 0.001 UF +/-20%, 500V	402966	72982	8121-A100-W5R-102M			REF
C15	CAP, TA, 10 UF +/-20%, 20V	330662	56289	196D106X0020KA1			REF
C16	CAP, CER, 47 PF +/-2%, 100V	512368	89536	512368	7		
C17	CAP, CER, 47 PF +/-2%, 100V	512368	89536	512368			REF
C18	CAP, CER, 0.001 UF +/-20%, 500V	402966	72982	8121-A100-W5R-102M			REF
C19	CAP, CER, 0.001 UF +/-20%, 500V	402966	72982	8121-A100-W5R-102M			REF
C20	CAP, CER, 100 PF +/-2%, 100V	512848	89536	512848	6		
C21	CAP, TA, 10 UF +/-20%, 20V	330662	56289	196D106X0020KA1			REF
C22	CAP, CER, 0.01 UF +/-20%, 100V	407361	72982	8121-A100-W5R-103M	6		
C23	CAP, CER, 0.01 UF +/-20%, 100V	407361	72982	8121-A100-W5R-103M			REF
C24	CAP, CER, 0.01 UF +/-20%, 100V	407361	72982	8121-A100-W5R-103M			REF
C25	CAP, CER, 0.01 UF +/-20%, 100V	407361	72982	8121-A100-W5R-103M			REF
C26	CAP, CER, 0.001 UF +/-20%, 500V	402966	72982	8121-A100-W5R-102M			REF
C27	CAP, CER, 47 PF +/-2%, 100V	512368	89536	512368			REF
C28	CAP, CER, 0.047 UF +/-20%, 50V	460733	71590	CW20C473M	7		
C29	CAP, CER, 0.047 UF +/-20%, 50V	460733	71590	CW20C473M			REF
C30	CAP, CER, 0.047 UF +/-20%, 50V	460733	71590	CW20C473M			REF
C31	CAP, CER, 47 PF +/-2%, 100V	512368	89536	512368			REF
C32	CAP, CER, 100 PF +/-2%, 100V	512848	89536	512848			REF
C33	CAP, CER, 0.047 UF +/-20%, 50V	460733	71590	CW20C473M			REF
C34	CAP, CER, 100 PF +/-2%, 100V	512848	89536	512848			REF
C35	CAP, CER, 0.047 UF +/-20%, 50V	460733	71590	CW20C473M			REF
C36	CAP, CER, 100 PF +/-2%, 100V	512848	89536	512848			REF
C37	CAP, CER, 0.01 UF +/-20%, 100V	407361	72982	8121-A100-W5R-103M			REF
C38	CAP, CER, 0.01 UF +/-20%, 100V	407361	72982	8121-A100-W5R-103M			REF
C39	CAP, CER, 0.001 UF +/-20%, 500V	402966	72982	8121-A100-W5R-102M			REF
C40	CAP, CER, 0.001 UF +/-20%, 500V	402966	72982	8121-A100-W5R-102M			REF
C41	CAP, CER, 100 PF +/-2%, 100V	512848	89536	512848			REF
C42	CAP, CER, 0.047 UF +/-20%, 50V	460733	71590	CW20C473M			REF
C43	CAP, CER, 0.001 UF +/-20%, 500V	402966	72982	8121-A100-W5R-102M			REF
C44	CAP, CER, 0.001 UF +/-20%, 500V	402966	72982	8121-A100-W5R-102M			REF
C45	CAP, CER, 0.001 UF +/-20%, 500V	402966	72982	8121-A100-W5R-102M			REF
C46	CAP, CER, 0.001 UF +/-20%, 500V	402966	72982	8121-A100-W5R-102M			REF
C47	CAP, CER, 100 PF +/-2%, 100V	512848	89536	512848			REF
C48	CAP, CER, 0.047 UF +/-20%, 50V	460733	71590	CW20C473M			REF

Table 6-21. A4A4 Modulator Divider PCB Assembly (cont)

REF DES	DESCRIPTION	FLUKE STOCK NO.	MFG SPLY CODE	MFG PART NO.	TOT QTY	REC QTY	N O T E
C49	CAP, CER, 0.001 UF +/-20%, 500V	402966	72982	8121-A100-W5R-102M	REF		
C50	CAP, CER, 0.001 UF +/-20%, 500V	402966	72982	8121-A100-W5R-102M	REF		
C51	CAP, CER, 0.001 UF +/-20%, 500V	402966	72982	8121-A100-W5R-102M	REF		
C52	CAP, CER, 0.001 UF +/-20%, 500V	402966	72982	8121-A100-W5R-102M	REF		
C53	CAP, CER, 12 PF +/-2%, 100V	376871	89536	376871		1	
C54	CAP, CER, 6.8 PF +/-0.25PF, 100V	512327	89536	512327		1	
C55	CAP, CER, 15 PF +/-2%, 100V	369074	89536	369074		1	
C56	CAP, CER, 18 PF +/-2%, 100V	512335	89536	512335		4	
C57	CAP, CER, 18 PF +/-2%, 100V	512335	89536	512335	REF		
C58	CAP, CER, 18 PF +/-2%, 100V	512335	89536	512335	REF		
C59	CAP, CER, 10 PF +/-2%, 100V	512343	89536	512343		2	
C60	CAP, CER, 22 PF +/-2%, 100V	512871	89536	512871		1	
C61	CAP, CER, 27 PF +/-2%, 100V	362749	89536	362749		5	
C62	CAP, CER, 27 PF +/-2%, 100V	362749	89536	362749	REF		
C63	CAP, CER, 18 PF +/-2%, 100V	512335	89536	512335	REF		
C64	CAP, CER, 10 PF +/-2%, 100V	512343	89536	512343	REF		
C65	CAP, CER, 27 PF +/-2%, 100V	362749	89536	362749	REF		
C66	CAP, CER, 27 PF +/-2%, 100V	362749	89536	362749	REF		
C67	CAP, CER, 27 PF +/-2%, 100V	362749	89536	362749	REF		
C68	CAP, CER, 0.001 UF +/-20%, 500V	402966	72982	8121-A100-W5R-102M	REF		
C69	CAP, CER, 0.001 UF +/-20%, 500V	402966	72982	8121-A100-W5R-102M	REF		
C70	CAP, TA, 6.8 UF +/-20%, 35V	363713	56289	196D685X0035KA1		5	
C71	CAP, CER, 0.001 UF +/-20%, 500V	402966	72982	8121-A100-W5R-102M	REF		
C72	CAP, TA, 6.8 UF +/-20%, 35V	363713	56289	196D685X0035KA1	REF		
C73	CAP, TA, 6.8 UF +/-20%, 35V	363713	56289	196D685X0035KA1	REF		
C74	CAP, TA, 6.8 UF +/-20%, 35V	363713	56289	196D685X0035KA1	REF		
C75	CAP, CER, 0.001 UF +/-20%, 500V	402966	72982	8121-A100-W5R-102M	REF		
C76	CAP, CER, 0.001 UF +/-20%, 500V	402966	72982	8121-A100-W5R-102M	REF		
C77	CAP, CER, 0.001 UF +/-20%, 500V	402966	72982	8121-A100-W5R-102M	REF		
C78	CAP, CER, 0.001 UF +/-20%, 500V	402966	72982	8121-A100-W5R-102M	REF		
C79	CAP, CER, 0.001 UF +/-20%, 500V	402966	72982	8121-A100-W5R-102M	REF		
C80	CAP, TA, 10 UF +/-20%, 20V	330662	56289	196D106X0020KA1	REF		
C81	CAP, CER, 68 PF +/-2%, 100V	362756	89536	362756		1	
C82	CAP, TA, 6.8 UF +/-20%, 35V	363713	56289	196D685X0035KA1	REF		
C83	CAP, CER, 0.001 UF +/-20%, 500V	402966	72982	8121-A100-W5R-102M	REF		
C84	CAP, CER, 0.001 UF +/-20%, 500V	402966	72982	8121-A100-W5R-102M	REF		
C85	CAP, CER, 47 PF +/-2%, 100V	512368	89536	512368	REF		
C86	CAP, CER, 47 PF +/-2%, 100V	512368	89536	512368	REF		
C87	CAP, CER, 47 PF +/-2%, 100V	512368	89536	512368	REF		
CR1	DIODE, HI-SPEED SWITCHING	203323	04713	1N4448		7	2
CR2	DIODE, HI-SPEED SWITCHING	203323	04713	1N4448	REF		
CR3	DIODE, HI-SPEED SWITCHING	203323	04713	1N4448	REF		
CR4	DIODE, HI-SPEED SWITCHING	203323	04713	1N4448	REF		
CR5	DIODE, HI-SPEED SWITCHING	203323	04713	1N4448	REF		
CR6	DIODE, SMALL SIGNAL	402776	28480	HP3379		16	4
CR7	DIODE, SMALL SIGNAL	402776	28480	HP3379	REF		
CR8	DIODE, SMALL SIGNAL	402776	28480	HP3379	REF		
CR9	DIODE, SMALL SIGNAL	402776	28480	HP3379	REF		
CR10	DIODE, SMALL SIGNAL	402776	28480	HP3379	REF		
CR11	DIODE, SMALL SIGNAL	402776	28480	HP3379	REF		

Table 6-21. A4A4 Modulator Divider PCB Assembly (cont)

REF DES	DESCRIPTION	FLUKE STOCK NO.	MFG SPLY CODE	MFG PART NO.	TOT QTY	REC QTY	N D T E
CR12	DIODE, SMALL SIGNAL	402776	28480	HP3379	REF		
CR13	DIODE, SMALL SIGNAL	402776	28480	HP3379	REF		
CR14	DIODE, SMALL SIGNAL	402776	28480	HP3379	REF		
CR15	DIODE, SMALL SIGNAL	402776	28480	HP3379	REF		
CR16	DIODE, ZENER	454595	12969	UZ8706	1		
CR17	DIODE, SMALL SIGNAL	402776	28480	HP3379	REF		
CR18	DIODE, SMALL SIGNAL	402776	28480	HP3379	REF		
CR19	DIODE, SMALL SIGNAL	402776	28480	HP3379	REF		
CR20	DIODE, SMALL SIGNAL	402776	28480	HP3379	REF		
CR21	DIODE, HI-SPEED SWITCHING	203323	04713	1N4448	REF		
CR22	DIODE, HI-SPEED SWITCHING	203323	04713	1N4448	REF		
CR23	DIODE, SMALL SIGNAL	402776	28480	HP3379	REF		
CR24	DIODE, SMALL SIGNAL	402776	28480	HP3379	REF		
CR25	DIODE, SI, SWITCHING	535138	04713	MPN3401	1	1	
CR26	DIODE, ZENER, 9.1V +/-5%	369587	04713	1N757A	1	1	
J1	CONNECTOR, RF, SMB	512095	16733	702033	3		
J2	CONNECTOR, RF, SMB	512095	16733	702033	REF		
J3	CONNECTOR, RF, SMB	512095	16733	702033	REF		
L1	CHOKE, 6-TURN	320911	89536	320911	14		
L3	INDUCTOR, 0.33 UH	261743	24759	MRO.33	3		
L4	CHOKE, 6-TURN	320911	89536	320911	REF		
L5	INDUCTOR, 0.10 UH	257154	24759	MR-0.10	2		
L6	INDUCTOR, 0.10 UH	257154	24759	MR-0.10	REF		
L7	INDUCTOR, 0.33 UH	261743	24759	MRO.33	REF		
L8	INDUCTOR, 0.33 UH	261743	24759	MRO.33	REF		
L9	CHOKE, 6-TURN	320911	89536	320911	REF		
L10	CHOKE, 6-TURN	320911	89536	320911	REF		
L11	CHOKE, RF, 150 UH +/-5%	174763	72259	WEB-150	1		
L12	CHOKE, 6-TURN	320911	89536	320911	REF		
L13	CHOKE, 6-TURN	320911	89536	320911	REF		
L14	CHOKE, 6-TURN	320911	89536	320911	REF		
L15	CHOKE, 6-TURN	320911	89536	320911	REF		
L16	CHOKE, 6-TURN	320911	89536	320911	REF		
L17	CHOKE, 6-TURN	320911	89536	320911	REF		
L18	CHOKE, 6-TURN	320911	89536	320911	REF		
L19	CHOKE, 6-TURN	320911	89536	320911	REF		
L20	CHOKE, 6-TURN	320911	89536	320911	REF		
L21	CHOKE, 6-TURN	320911	89536	320911	REF		
MP1	AIDE, PCB PULL	541730	89536	541730	3		
MP3	SHIELD, BOTTOM, MODULE DIVIDER	515916	89536	515916	1		
MP4	SHIELD, TOP, MODULE, DIVIDER	515882	89536	515882	1		
MP5	SHIELD, RF CONNECTOR (W/J1-J3)	488455	89536	488455	3		
MP6	SOCKET, COMPONENT LEAD (NOT SHOWN)	343285	00779	2-331272-6	14		
MP7	SOCKET, COMPONENT LEAD (NOT SHOWN)	376418	22526	75060-007	142		
MP8	CONNECTOR, RECEPTACLE	544056	00779	50871-1	11		
Q1	TRANSISTOR, SI, PNP	352369	12040	2N4403	3	1	
Q2	TRANSISTOR, D-MOS	507905	18324	507905	2	1	
Q3	TRANSISTOR, D-MOS	507905	18324	507905	REF		
Q4	TRANSISTOR, SI, NPN	218396	04713	2N3904	1	1	
Q5	TRANSISTOR, SI, PNP	352369	12040	2N4403	REF		

Table 6-21. A4A4 Modulator Divider PCB Assembly (cont)

REF DES	DESCRIPTION	FLUKE STOCK NO.	MFG SPLY CODE	MFG PART NO.	TOT QTY	REC QTY	N D T E
Q6	TRANSISTOR, SI, PNP	352369	12040	2N4403	REF		
Q7⊙	TRANSISTOR, D-MOS, FIELD EFFECT	507921	18324	SD211DE	1	1	
R1	RES, DEP. CAR, 100 +/-5%, 1/4W	348771	80031	CR251-4-5P100E	1		
R2	RES, DEP. CAR, 680 +/-5%, 1/4W	368779	80031	CR251-4-5P680E	1		
R3	RES, DEP. CAR. (SELECTED)				7		1
R4	RES, DEP. CAR. (SELECTED)				REF		
R5	RES, DEP. CAR. (SELECTED)				REF		
R6	RES, DEP. CAR. (SELECTED)				REF		
R7	RES, DEP. CAR. (SELECTED)				REF		
R8	RES, DEP. CAR. (SELECTED)				REF		
R9	RES, DEP. CAR. (SELECTED)				REF		
R10	RES, DEP. CAR, 1K +/-5%, 1/4W	343426	80031	CR251-4-5P1K	7		
R11	RES, DEP. CAR, 6.2K +/-5%, 1/4W	442368	80031	CR251-4-5P6K2	1		
R12	RES, DEP. CAR, 300 +/-5%, 1/4W	441519	80031	CR251-4-5P300E	2		
R13	RES, DEP. CAR, 2.7K +/-5%, 1/4W	386490	80031	CR251-4-5P2K7	2		
R14	RES, COMP, 1K +/-10%, 1/8W	153916	01121	BB1021	1		
R15	RES, DEP. CAR, 2K +/-5%, 1/4W	441469	80031	CR251-4-5P2K	4		
R16	RES, DEP. CAR, 10K +/-5%, 1/4W	348839	80031	CR251-4-5P10K	6		
R17	RES, DEP. CAR, 2K +/-5%, 1/4W	441469	80031	CR251-4-5P2K	REF		
R18	RES, MTL. FILM, 3.65K +/-1%, 1/8W	293779	91637	CMF553651F	1		
R19	RES, MTL. FILM, 1.40K +/-5%, 1/8W	344333	91637	CMF551401F	1		
R20	RES, COMP, 150 +/-5%, 1/8W	153924	01121	BB1515	1		
R21	RES, DEP. CAR, 2K +/-5%, 1/4W	441469	80031	CR251-4-5P2K	REF		
R22	RES, COMP, 180 +/-5%, 1/8W	512756	01121	BB1815	2		
R23	RES, DEP. CAR, 1K +/-5%, 1/4W	343426	80031	CR251-4-5P1K	REF		
R24	RES, VAR, 100K +/-10%, 1/2W	369520	11236	360T-104A	7		2
R25	RES, DEP. CAR, 82K +/-5%, 1/4W	348912	80031	CR251-4-5P82K	1		
R26	RES, VAR, 100K +/-10%, 1/2W	369520	11236	360T-104A	REF		2
R27	RES, DEP. CAR, 330K +/-5%, 1/4W	376640	80031	CR251-4-5P330K	6		
R28	RES, VAR, 100K +/-10%, 1/2W	369520	11236	360T-104A	REF		2
R29	RES, DEP. CAR, 330K +/-5%, 1/4W	376640	80031	CR251-4-5P330K	REF		
R30	RES, VAR, 100K +/-10%, 1/2W	369520	11236	360T-104A	REF		2
R31	RES, DEP. CAR, 330K +/-5%, 1/4W	376640	80031	CR251-4-5P330K	REF		
R32	RES, VAR, 100K +/-10%, 1/2W	369520	11236	360T-104A	REF		2
R33	RES, DEP. CAR, 330K +/-5%, 1/4W	376640	80031	CR251-4-5P330K	REF		
R34	RES, DEP. CAR, 510 +/-5%, 1/4W	441600	80031	CR251-4-5P510E	4		
R35	RES, DEP. CAR, 510 +/-5%, 1/4W	441600	80031	CR251-4-5P510E	REF		
R36	RES, DEP. CAR, 1K +/-5%, 1/4W	343426	80031	CR251-4-5P1K	REF		
R37	RES, DEP. CAR, 51 +/-5%, 1/4W	414540	80031	CR251-4-5P51E	2		
R38	RES, DEP. CAR, 10K +/-5%, 1/4W	348839	80031	CR251-4-5P10K	REF		
R39	RES, VAR, 100K +/-10%, 1/2W	369520	11236	360T-104A	REF		2
R40	RES, DEP. CAR, 10K +/-5%, 1/4W	348839	80031	CR251-4-5P10K	REF		
R41	RES, DEP. CAR, 12K +/-5%, 1/4W	348847	80031	CR251-4-5P12K	2		
R42	RES, DEP. CAR, 330K +/-5%, 1/4W	376640	80031	CR251-4-5P330K	REF		
R43	RES, DEP. CAR, 1K +/-5%, 1/4W	343426	80031	CR251-4-5P1K	REF		
R44	RES, DEP. CAR, 1K +/-5%, 1/4W	343426	80031	CR251-4-5P1K	REF		
R45	RES, DEP. CAR, 510 +/-5%, 1/4W	441600	80031	CR251-4-5P510E	REF		
R46	RES, DEP. CAR, 510 +/-5%, 1/4W	441600	80031	CR251-4-5P510E	REF		
R47	RES, VAR, 100K +/-10%, 1/2W	369520	11236	360T-104A	REF		2
R48	RES, DEP. CAR, 10K +/-5%, 1/4W	348839	80031	CR251-4-5P10K	REF		

Table 6-21. A4A4 Modulator Divider PCB Assembly (cont)

REF DES	DESCRIPTION	FLUKE STOCK NO.	MFG SPLY CODE	MFG PART NO.	TOT QTY	REC QTY	NOTE
R49	RES, DEP. CAR, 12K +/-5%, 1/4W	348847	80031	CR251-4-5P12K	REF		
R50	RES, DEP. CAR, 10K +/-5%, 1/4W	348839	80031	CR251-4-5P10K	REF		
R51	RES, DEP. CAR, 51 +/-5%, 1/4W	414540	80031	CR251-4-5P51E	REF		
R52	RES, DEP. CAR, 1K +/-5%, 1/4W	343426	80031	CR251-4-5P1K	REF		
R53	RES, DEP. CAR, 330K +/-5%, 1/4W	376640	80031	CR251-4-5P330K	REF		
R54	RES, DEP. CAR, 1K +/-5%, 1/4W	343426	80031	CR251-4-5P1K	REF		
R55	RES, DEP. CAR, 220K +/-5%, 1/4W	348953	80031	CR251-4-5P220K	6		
R56	RES, DEP. CAR, 220K +/-5%, 1/4W	348953	80031	CR251-4-5P220K	REF		
R57	RES, DEP. CAR, 220K +/-5%, 1/4W	348953	80031	CR251-4-5P220K	REF		
R58	RES, DEP. CAR, 220K +/-5%, 1/4W	348953	80031	CR251-4-5P220K	REF		
R59	RES, DEP. CAR, 470 +/-5%, 1/4W	343434	80031	CR251-4-5P470E	1		
R60	RES, DEP. CAR, 220K +/-5%, 1/4W	348953	80031	CR251-4-5P220K	REF		
R61	RES, DEP. CAR, 220K +/-5%, 1/4W	348953	80031	CR251-4-5P220K	REF		
R62	RES, COMP, 100 +/-5%, 1/2W	188508	01121	EB1015	2		
R63	RES, DEP. CAR, 22K +/-5%, 1/4W	348870	80031	CR251-4-5P22K	1		
R64	RES, DEP. CAR, 2K +/-5%, 1/4W	441469	80031	CR251-4-5P2K	REF		
R65	RES, DEP. CAR, 20K +/-5%, 1/4W	441477	80031	CR251-4-5P20K	1		
R66	RES, COMP, 100 +/-5%, 1/2W	188508	01121	EB1015	REF		
R67	RES, DEP. CAR, 10K +/-5%, 1/4W	348839	80031	CR251-4-5P10K	REF		
R68	RES, DEP. CAR, 3.6K +/-5%, 1/4W	442343	80031	CR251-4-5P3K6	1		
R69	RES, COMP, 10 +/-10%, 1/2W	108092	01121	EB1001	1		
R70	RES, COMP, 470 +/-5%, 1/2W	108787	01121	EB4715	1		
R71	RES, DEP. CAR, 2.7K +/-5%, 1/4W	386490	80031	CR251-4-5P2K7	REF		
R72	RES, DEP. CAR, 300 +/-5%, 1/4W	441519	80031	CR251-4-5P300E	REF		
R73	RES, DEP. CAR, 1M +/-5%, 1/4W	348987	80031	CR251-4-5P1M	1		
R74	RES, DEP. CAR, 100K +/-5%, 1/4W	348920	80031	CR251-4-5P100K	1		
R75	RES, COMP, 4.7K +/-5%, 1/4W	348821	01121	CB4725	3		
R76	RES, COMP, 4.7K +/-5%, 1/4W	348821	01121	CB4725	REF		
R77	RES, DEP. CAR, 27K +/-5%, 1/4W	441501	80031	CR251-4-5P27K	1		
R78	RES, COMP, 100 +/-10%, 1/8W	261826	01121	BB1011	1		
R79	RES, COMP, 120 +/-5%, 1/8W	513978	01121	BB1215	1		
R80	RES, DEP. CAR, 10 +/-5%, 1/4W	340075	80031	CR251-4-5P10E	1		
R81	RES, DEP. CAR, 160 +/-5%, 1/4W	441410	80031	CR251-4-5P160E	1		
R82	RES, COMP, 200 +/-5%, 1/2W	169839	01121	EB2015	2		
R83	RES, COMP, 4.7K +/-5%, 1/4W	348821	01121	CB4725	REF		
R84	RES, COMP, 200 +/-5%, 1/2W	169839	01121	EB2015	REF		
R85	RES, COMP, 6.8 +/-5%, 1/8W	528349	01121	BB6R85	2		
R86	RES, COMP, 6.8 +/-5%, 1/8W	528349	01121	BB6R85	REF		
R87	RES, COMP, 180 +/-5%, 1/8W	512756	01121	BB1815	REF		
R88	RES, VAR, 1K +/-10%, 1/2W	275750	11236	360T-102A	1		2
TP1	TEST POINT	512889	00779	62395-1	3		
TP2	TEST POINT	512889	00779	62395-1	REF		
TP3	TEST POINT	512889	00779	62395-1	REF		
U1	IC, HYBRID, 8DB POWER AMP	492801	89536	492801	1		1
U2⊙	IC, 8-CHANNEL MULTIPLEX SWITCH W/DECODE	507897	17856	S13705-193K	1		1
U3	IC, TTL, QUAD, 2-INPUT NOR GATE	393041	01295	SN74LS02N	1		1
U4	IC, HYBRID, MODULATOR	492769	89536	492769	5		1
U5⊙	IC, HYBRID, MODULATOR	492769	89536	492769	REF		
U6	IC, LINEAR, LO-NOISE, DUAL OP-AMP	504720	18324	NE5532FE	3		1
U7	IC, LINEAR, LO-NOISE, DUAL OP-AMP	504720	18324	NE5532FE	REF		

Table 6-21. A4A4 Modulator Divider PCB Assembly (cont)

REF DES	DESCRIPTION	FLUKE STOCK NO.	MFG SPLY CODE	MFG PART NO.	TOT QTY	REC QTY	NOTE
U8	IC, LINEAR, LO-NOISE, DUAL OP-AMP	504720	18324	NE5532FE	REF		
U9②	IC, LINEAR OP-AMP	495051	18324	NE5534N	1	1	
U10	IC, HYBRID, MODULATOR	492769	89536	492769	REF		
U11	IC, HYBRID, LIMITER AMP	492728	89536	492728	2	1	
U12②	IC, HYBRID, MODULATOR	492769	89536	492769	REF		
U13	IC, HYBRID, LIMITER AMP	492728	89536	492728	REF		
U14	IC, ECL, 750 MHZ, D TYPE, M/S, F/F	404574	89536	404574	2	1	
U15	IC, ECL, 750 MHZ, D TYPE, M/S, F/F	404574	89536	404574	REF		
U16	IC, BCD-TO-DECIMAL DECODER DRIVER	419192	01295	SN74LS145N	1	1	
U17	RESISTOR NETWORK	512913	89536	512913	1	1	
U18②	IC, HYBRID, MODULATOR	492769	89536	492769	REF		
W1	CABLE ASSEMBLY, SEMI-RIGID	530766	89536	530766	1		
W48	CABLE ASSEMBLY, SEMI-RIGID	524975	89536	524975	1		
XQ1	SOCKET, TRANSISTOR	285262	71785	1-33-23-92-045	3		
XQ5	SOCKET, TRANSISTOR	285262	71785	1-33-23-92-045	REF		
XQ6	SOCKET, TRANSISTOR	285262	71785	1-33-23-92-045	REF		
XU2	SOCKET, IC, 16-PIN	370312	91506	316-AG39D	2		
XU3	SOCKET, IC, 14-PIN	370304	12040	MM74C906N	1		
XU6	SOCKET, IC, 8-PIN	478012	91506	308-AG39D	4		
XU7	SOCKET, IC, 8-PIN	478012	91506	308-AG39D	REF		
XU8	SOCKET, IC, 8-PIN	478012	91506	308-AG39D	REF		
XU9	SOCKET, IC, 8-PIN	478012	91506	308-AG39D	REF		
XU16	SOCKET, IC, 16-PIN	370312	91506	316-AG39D	REF		
	1	RESISTORS R3 THRU R9 ARE SELECTED RESISTORS IN TEST DEPT. CALL YOUR SERVICE LAB FOR REORDER INSTRUCTIONS.					
	2	IF THESE COMPONENTS FAIL THE USER IS URGED TO RETURN THE GENERATOR TO THE NEAREST JOHN FLUKE SERVICE CENTER.					

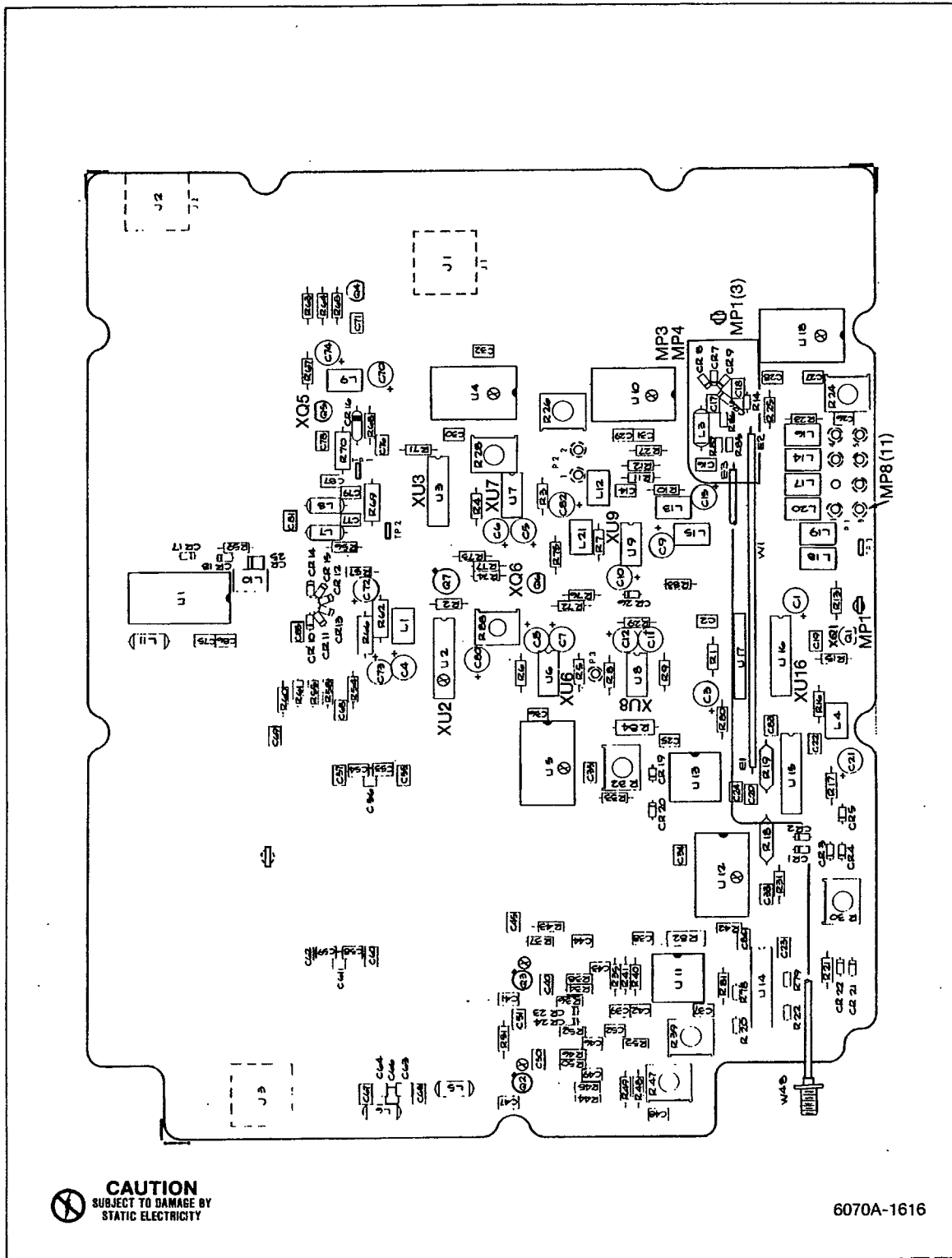


Figure 6-21. A4A4 Modulator Divider PCB Assembly

Table 6-22. A4A6 X2 Output Amplifier PCB Assembly (6071A)

REF DES	DESCRIPTION	FLUKE STOCK NO.	MFG SPLY CODE	MFG PART NO.	TOT QTY	REC QTY	NOTE
A4A6②	X2 OUTPUT AMPLIFIER PCB ASSEMBLY FIGURE 6-22 (6071A-4017T) (USED ON 6071A ONLY)	546465	89536	546465	REF		1
C1	CAP, TA, 2.2 UF +/-20%, 35V	485185	56289	196225X0035KA1	4		
C2	CAP, TA, 6.8 UF +/-20%, 35V	363713	56289	196D685X0035KA1	12		
C3	CAP, CER, 0.001 UF +/-20%, 500V	402966	72982	8121-A100-W5R-102M	23		
C5	CAP, CER, 0.005 UF +/-20%, 50V	255471	51642	200-050-601-502M	1		
C7	CAP, TA, 6.8 UF +/-20%, 35V	363713	56289	196D685X0035KA1	REF		
C8	CAP, CER, 47 PF +/-2%, 100V	512368	89536	512368	15		
C9	CAP, CER, 47 PF +/-2%, 100V	512368	89536	512368	REF		
C10	CAP, CER, 47 PF +/-2%, 100V	512368	89536	512368	REF		
C11	CAP, CER, 47 PF +/-2%, 100V	512368	89536	512368	REF		
C12	CAP, CER, 47 PF +/-2%, 100V	512368	89536	512368	REF		
C13	CAP, CER, 47 PF +/-2%, 100V	512368	89536	512368	REF		
C14	CAP, CER, 33 PF +/-2%, 100V	513226	89536	513226	2		
C15	CAP, TA, 2.2 UF +/-20%, 35V	485185	56289	196225X0035KA1	REF		
C16	CAP, CER, 33 PF +/-2%, 100V	513226	89536	513226	REF		
C17	CAP, CER, 220 PF +/-5%, 100V	512111	89536	512111	1		
C19	CAP, CER, 47 PF +/-2%, 100V	512368	89536	512368	REF		
C20	CAP, CER, 47 PF +/-2%, 100V	512368	89536	512368	REF		
C22	CAP, CER, 0.01 UF +/-20%, 100V	407361	72982	8121-A100-W5R-103M	2		
C23	CAP, CER, 0.01 UF +/-20%, 100V	407361	72982	8121-A100-W5R-103M	REF		
C24	CAP, CER, 0.001 UF +/-20%, 500V	402966	72982	8121-A100-W5R-102M	REF		
C25	CAP, CER, 0.001 UF +/-20%, 500V	402966	72982	8121-A100-W5R-102M	REF		
C26	CAP, CER, 0.001 UF +/-20%, 500V	402966	72982	8121-A100-W5R-102M	REF		
C27	CAP, CER, 0.22 UF +/-20%, 50V	309849	71590	CW3C0C224K	6		
C28	CAP, CER, 0.22 UF +/-20%, 50V	309849	71590	CW3C0C224K	REF		
C29	CAP, CER, 47 PF +/-2%, 100V	512368	89536	512368	REF		
C30	CAP, CER, 0.001 UF +/-20%, 500V	402966	72982	8121-A100-W5R-102M	REF		
C31	CAP, CER, 0.01 UF +/-20%, 100V	407361	72982	8121-A100-W5R-103M	5		
C33	CAP, CER, 0.001 UF +/-20%, 500V	402966	72982	8121-A100-W5R-102M	REF		
C34	CAP, CER, 0.001 UF +/-20%, 500V	402966	72982	8121-A100-W5R-102M	REF		
C35	CAP, CER, 3.9 PF +/-0.25%, 100V	512947	89536	512947	1		
C36	CAP, CER, 0.001 UF +/-20%, 500V	402966	72982	8121-A100-W5R-102M	REF		
C37	CAP, CER, 0.001 UF +/-20%, 500V	402966	72982	8121-A100-W5R-102M	REF		
C38	CAP, CER, 0.001 UF +/-20%, 500V	402966	72982	8121-A100-W5R-102M	REF		
C39	CAP, CER, 0.22 UF +/-20%, 50V	309849	71590	CW3C0C224K	REF		
C40	CAP, CER, 0.22 UF +/-20%, 50V	309849	71590	CW3C0C224K	REF		
C42	CAP, CER, 0.001 UF +/-20%, 500V	402966	72982	8121-A100-W5R-102M	REF		
C43	CAP, CER, 0.033 UF +/-20%, 50V	543074	72982	8121-050-W5R33NFM	1		
C45	CAP, CER, 47 PF +/-2%, 100V	512368	89536	512368	REF		
C46	CAP, CER, 2.7 PF +/-0.25%, 100V	363705	89536	363705	1		
C47	CAP, TA, 6.8 UF +/-20%, 35V	363713	56289	196D685X0035KA1	REF		
C48	CAP, TA, 6.8 UF +/-20%, 35V	363713	56289	196D685X0035KA1	REF		
C49	CAP, TA, 2.2 UF +/-20%, 35V	485185	56289	196225X0035KA1	REF		
C50	CAP, CER, 0.001 UF +/-20%, 500V	402966	72982	8121-A100-W5R-102M	REF		
C51	CAP, CER, 0.001 UF +/-20%, 500V	402966	72982	8121-A100-W5R-102M	REF		
C52	CAP, CER, 0.001 UF +/-20%, 500V	402966	72982	8121-A100-W5R-102M	REF		
C55	CAP, TA, 6.8 UF +/-20%, 35V	363713	56289	196D685X0035KA1	REF		

Table 6-22. A4A6 X2 Output Amplifier PCB Assembly (6071A) (cont)

REF DES	DESCRIPTION	FLUKE STOCK NO.	MFG SPLY CODE	MFG PART NO.	TOT QTY	REC QTY	N O T E
C56	CAP, TA, 22 UF +/-20%, 15V	423012	56289	196D226X0015KA1	2		
C57	CAP, TA, 6.8 UF +/-20%, 35V	363713	56289	196D685X0035KA1	REF		
C58	CAP, TA, 22 UF +/-20%, 15V	423012	56289	196D226X0015KA1	REF		
C59	CAP, TA, 10 UF +/-20%, 15V	193623	56289	196D106X0015A1	1		
C60	CAP, TA, 6.8 UF +/-20%, 35V	363713	56289	196D685X0035KA1	REF		
C61	CAP, CER, 0.001 UF +/-20%, 500V	402966	72982	8121-A100-W5R-102M	REF		
C62	CAP, CER, 0.001 UF +/-20%, 500V	402966	72982	8121-A100-W5R-102M	REF		
C63	CAP, CER, 0.001 UF +/-20%, 500V	402966	72982	8121-A100-W5R-102M	REF		
C64	CAP, CER, 0.001 UF +/-20%, 500V	402966	72982	8121-A100-W5R-102M	REF		
C65	CAP, CER, 0.001 UF +/-20%, 500V	402966	72982	8121-A100-W5R-102M	REF		
C66	CAP, CER, 0.001 UF +/-20%, 500V	402966	72982	8121-A100-W5R-102M	REF		
C67	CAP, CER, 0.001 UF +/-20%, 500V	402966	72982	8121-A100-W5R-102M	REF		
C68	CAP, CER, 0.001 UF +/-20%, 500V	402966	72982	8121-A100-W5R-102M	REF		
C69	CAP, CER, 0.001 UF +/-20%, 500V	402966	72982	8121-A100-W5R-102M	REF		
C70	CAP, TA, 6.8 UF +/-20%, 35V	363713	56289	196D685X0035KA1	REF		
C71	CAP, TA, 6.8 UF +/-20%, 35V	363713	56289	196D685X0035KA1	REF		
C72	CAP, CER, 100 PF +/-2%, 100V	512848	89536	512848	1		
C74	CAP, CER, 560 PF +/-5%, 50V	528505	89536	528505	2		
C75	CAP, CER, 0.01 UF +/-20%, 100V	407361	72982	8121-A100-W5R-103M	REF		
C76	CAP, CER, 0.22 UF +/-20%, 50V	309849	71590	CW3C0C224K	REF		
C77	CAP, TA, 6.8 UF +/-20%, 35V	363713	56289	196D685X0035KA1	REF		
C78	CAP, CER, 0.01 UF +/-20%, 100V	407361	72982	8121-A100-W5R-103M	REF		
C79	CAP, CER, 560 PF +/-5%, 50V	528505	89536	528505	REF		
C80	CAP, TA, 6.8 UF +/-20%, 35V	363713	56289	196D685X0035KA1	REF		
C81	CAP, CER, 0.01 UF +/-20%, 100V	407361	72982	8121-A100-W5R-103M	REF		
C82	CAP, TA, 2.2 UF +/-20%, 35V	485185	56289	196225X0035KA1	REF		
C83	CAP, TA, 6.8 UF +/-20%, 35V	363713	56289	196D685X0035KA1	REF		
C84	CAP, CER, 1800 PF +/-5%, 50V	528547	89536	528547	1		
C85	CAP, CER, 430 PF +/-5%, 50V	528489	89536	528489	1		
C86	CAP, CER, 820 PF +/-....., 100V	528604	89536	528604	1		
C87	CAP, CER, 0.22 UF +/-20%, 50V	309849	71590	CW3C0C224K	REF		
C88	CAP, CER, 47 PF +/-2%, 100V	512368	89536	512368	REF		
C89	CAP, CER, 1.5 PF 100V	529909	89536	529909	2		
C90	CAP, CER, 0.01 UF +/-20%, 100V	407361	72982	8121-A100-W5R-103M	REF		
C92	CAP, CER, 1.5 PF 100V	529909	89536	529909	REF		
C93	CAP, CER, 1.8 PF +/-0.25%, 100V	512897	89536	512897	1		
C94	CAP, CER, 5.6 PF +/-0.25%, 100V	512954	89536	512954	1		
C95	CAP, CER, 47 PF +/-2%, 100V	512368	89536	512368	REF		
C96	CAP, CER, 47 PF +/-2%, 100V	512368	89536	512368	REF		
C97	CAP, CER, 47 PF +/-2%, 100V	512368	89536	512368	REF		
C98	CAP, CER, 47 PF +/-2%, 100V	512368	89536	512368	REF		
CR1	DIODE, LO-CAP, LO-LEAK	375907	07263	FD7222	1		1
CR2	DIODE, ZENER	267807	04713	1N9708	4		1
CR3	DIODE, ZENER	267807	04713	1N9708	REF		
CR4	DIODE, ZENER	159798	04713	1N751A	2		1
CR5	DIODE, ZENER	246611	04713	1N961B	2		1
CR6	DIODE, SCHOTTKY BARRIER	535195	28480	5082-2800	5		1
CR7	DIODE, HI-SPEED SWITCHING	203323	04713	1N4448	1		1
CR8	DIODE, 2-PELLET	375477	09214	MPD-200	1		1
CR9	DIODE, ZENER	309799	04713	1N746	1		1

Table 6-22. A4A6 X2 Output Amplifier PCB Assembly (6071A) (cont)

REF DES	DESCRIPTION	FLUKE STOCK NO.	MFG SPLY CODE	MFG PART NO.	TOT QTY	REC QTY	N D T E
CR10	DIODE, ZENER	180497	04713	1N753	1	1	
CR11	DIODE, SCHOTTKY BARRIER	535195	28480	5082-2800	REF		
CR12	DIODE, SCHOTTKY BARRIER	535195	28480	5082-2800	REF		
CR13	DIODE, ZENER	246611	04713	1N961B	REF		
CR14	DIODE, ZENER	159798	04713	1N751A	REF		
CR15	DIODE, ZENER	267807	04713	1N9708	REF		
CR16	DIODE, ZENER	267807	04713	1N9708	REF		
CR18	DIODE, SCHOTTKY BARRIER	535195	28480	5082-2800	REF		
CR19	DIODE, SCHOTTKY BARRIER	535195	28480	5082-2800	REF		
CR20	DIODE, RF ATTENUATING	508077	26629	KS8379	16	4	
CR21	DIODE, RF ATTENUATING	508077	26629	KS8379	REF		
CR22	DIODE, RF ATTENUATING	508077	26629	KS8379	REF		
CR23	DIODE, RF ATTENUATING	508077	26629	KS8379	REF		
CR24	DIODE, RF ATTENUATING	508077	26629	KS8379	REF		
CR25	DIODE, RF ATTENUATING	508077	26629	KS8379	REF		
CR26	DIODE, RF ATTENUATING	508077	26629	KS8379	REF		
CR27	DIODE, RF ATTENUATING	508077	26629	KS8379	REF		
CR28	DIODE, RF ATTENUATING	508077	26629	KS8379	REF		
CR29	DIODE, RF ATTENUATING	508077	26629	KS8379	REF		
CR30	DIODE, RF ATTENUATING	508077	26629	KS8379	REF		
CR31	DIODE, RF ATTENUATING	508077	26629	KS8379	REF		
CR32	DIODE, RF ATTENUATING	508077	26629	KS8379	REF		
CR33	DIODE, RF ATTENUATING	508077	26629	KS8379	REF		
CR34	DIODE, RF ATTENUATING	508077	26629	KS8379	REF		
CR35	DIODE, RF ATTENUATING	508077	26629	KS8379	REF		
H1	WASHER, CRESCENT SPRING	544239	89536	544239	4		
J2	CONNECTOR, RF, SMA	512087	16733	705147-001	1		
K1	RELAY, ARMATURE	528638	11532	712-26	4	1	
K2	RELAY, ARMATURE	528638	11532	712-26	REF		
K3	RELAY, ARMATURE	528638	11532	712-26	REF		2
K4	RELAY, ARMATURE	528638	11532	712-26	REF		2
L1	INDUCTOR, 100 UH	249102	24759	MR-100	3		
L2	INDUCTOR, 6-TURN	320911	89536	320911	5		
L3	INDUCTOR, 10-TURN	463448	89536	463448	12		
L4	INDUCTOR, 100 UH	249102	24759	MR-100	REF		
L5	INDUCTOR, 10-TURN	463448	89536	463448	REF		
L6	INDUCTOR, 1500 UH	343863	24759	MR-1500	1		
L9	INDUCTOR, 100 UH	249102	24759	MR-100	REF		
L10	INDUCTOR, 6-TURN	320911	89536	320911	REF		
L11	INDUCTOR, 6-TURN	320911	89536	320911	REF		
L12	INDUCTOR, 6-TURN	320911	89536	320911	REF		
L13	INDUCTOR, 10-TURN	496448	89536	496448	1		
L14	INDUCTOR, 6-TURN	320911	89536	320911	REF		
L15	INDUCTOR, 10-TURN	463448	89536	463448	REF		
L16	INDUCTOR, 10-TURN	463448	89536	463448	REF		
L17	INDUCTOR, 10-TURN	463448	89536	463448	REF		
L18	INDUCTOR, 10-TURN	463448	89536	463448	REF		
L19	INDUCTOR, 10-TURN	463448	89536	463448	REF		
L20	INDUCTOR, 10-TURN	463448	89536	463448	REF		
L21	INDUCTOR, 10-TURN	463448	89536	463448	REF		

Table 6-22. A4A6 X2 Output Amplifier PCB Assembly (6071A) (cont)

REF DES	DESCRIPTION	FLUKE STOCK NO.	MFG SPLY CODE	MFG PART NO.	TOT QTY	REC QTY	NOTE
L22	INDUCTOR, 10-TURN	463448	89536	463448		REF	
L23	INDUCTOR, 10-TURN	463448	89536	463448		REF	
L24	INDUCTOR, 10-TURN	463448	89536	463448		REF	
MP1	AIDE, PCB PULL (NOT SHOWN)	541730	89536	541730		3	
MP2	CABLE ANCHOR (NOT SHOWN)	529974	06915	UC-2		1	
MP3	FOOT, RUBBER, BLACK (NOT SHOWN)	513820	89536	513820		7	
MP4	LUG, GROUND (NOT SHOWN)	612200	89536	612200		9	
MP5	SHIELD, W/FINGER CONTACT ASSEMBLY (NOT SHOWN)	633412	89536	633412		1	
MP6	SHIELD, X2-2 (NOT SHOWN)	632349	89536	632349		1	
MP7	COMPONENT HOLDER	422857	98159	2829-75-1		1	
MP8	TAB, COPPER (W/R44)	541672	89536	541672		1	
P1	CONNECTOR RECEPTACLE	544056	89536	544056		1	
Q1	TRANSISTOR, SI, NPN, MICROWAVE	483156	89536	483156		2	1
Q2	TRANSISTOR, SI, NPN, MICROWAVE	483156	89536	483156		REF	
Q3	TRANSISTOR, SI, PNP	195974	04713	2N3906		1	1
Q4	TRANSISTOR, D-MOS, FIELD EFFECT	507921	89536	507921		4	1
Q5	TRANSISTOR, D-MOS, FIELD EFFECT	507921	89536	507921		REF	
Q6	TRANSISTOR, SI, NPN	218396	04713	2N3904		3	1
Q7	TRANSISTOR, SI, NPN	218396	04713	2N3904		REF	
Q8	TRANSISTOR, SI, NPN	218396	04713	2N3904		REF	
Q10	TRANSISTOR, D-MOS, FIELD EFFECT	507921	89536	507921		REF	
Q11	TRANSISTOR, D-MOS, FIELD EFFECT	507921	89536	507921		REF	
Q12	TRANSISTOR, SI, PNP	473207	01295	TIP30		1	1
R1	RES, COMP, 18 +/-5%, 1/2W	186007	01121	EB1805		8	
R2	RES, COMP, 18 +/-5%, 1/2W	186007	01121	EB1805		REF	
R3	RES, COMP, 18 +/-5%, 1/2W	186007	01121	EB1805		REF	
R4	RES, COMP, 470 +/-5%, 1/8W	512780	01121	BB4715		8	
R5	RES, DEP. CAR, 8.2 +/-5%, 1/4W	442269	80031	CR251-4-5P8R2		1	
R6	RES, DEP. CAR, 150 +/-5%, 1/4W	343442	80031	CR251-4-5P150E		1	
R7	RES, COMP, 47 +/-5%, 1/8W	512061	01121	BB4705		1	
R8	RES, COMP, 20 +/-5%, 1/8W	574665	01121	BB2005		2	
R9	RES, COMP, 20 +/-5%, 1/8W	574665	01121	BB2005		REF	
R10	RES, COMP, 470 +/-5%, 1/8W	512780	01121	BB4715		REF	
R11	RES, COMP, 51 +/-5%, 1/8W	266262	01121	BB5105		1	
R12	RES, DEP. CAR, 10K +/-5%, 1/4W	348839	80031	CR251-4-5P10K		3	
R13	RES, DEP. CAR, 39K +/-5%, 1/4W	442400	80031	CR251-4-5P39K		1	
R14	RES, COMP, 470 +/-5%, 1/8W	512780	01121	BB4715		REF	
R15	RES, COMP, 470 +/-5%, 1/8W	512780	01121	BB4715		REF	
R16	RES, COMP, 470 +/-5%, 1/8W	512780	01121	BB4715		REF	
R17	RES, COMP, 470 +/-5%, 1/8W	512780	01121	BB4715		REF	
R18	RES, COMP, 470 +/-5%, 1/8W	512780	01121	BB4715		REF	
R19	RES, COMP, 470 +/-5%, 1/8W	512780	01121	BB4715		REF	
R20	RES, VAR, 500 +/-10%, 1/2W	325613	89536	325613		1	
R21	RES, DEP. CAR, 220 +/-5%, 1/4W	342626	80031	CR251-4-5P220E		1	
R22	RES, COMP, 100 +/-10%, 1/8W	261826	01121	BB1011		1	
R23	RES, DEP. CAR, 200 +/-5%, 1/4W	441451	80031	CR251-4-5P200E		1	1
R24	RES, DEP. CAR, 270 +/-5%, 1/4W	348789	80031	CR251-4-5P270E		1	
R25	RES, DEP. CAR, 470 +/-5%, 1/4W	343434	80031	CR251-4-5P470E		3	
R26	RES, DEP. CAR, 510 +/-5%, 1/4W	441600	80031	CR251-4-5P510E		1	

Table 6-22. A4A6 X2 Output Amplifier PCB Assembly (6071A) (cont)

REF DES	DESCRIPTION	FLUKE STOCK NO.	MFG SPLY CODE	MFG PART NO.	TOT QTY	REC QTY	N D T E
R27	RES, DEP. CAR, 51 +/-5%, 1/4W	414540	80031	CR251-4-5P51E	2		
R28	RES, MTL. FILM, 3.01K +/-1%, 1/8W	312645	91637	CMF553011F	2		
R29	RES, VAR, 25K +/-10%, 1/2W	500769	32997	3299W-W-253	3		
R30	RES, COMP, 18 +/-5%, 1/2W	186007	01121	EB1805	REF		
R31	RES, COMP, 13 +/-5%, 1/2W	519322	01121	EB1305	1		
R32	RES, COMP, 18 +/-5%, 1/2W	186007	01121	EB1805	REF		
R33	RES, COMP, 18 +/-5%, 1/2W	186007	01121	EB1805	REF		
R34	RES, COMP, 18 +/-5%, 1/2W	186007	01121	EB1805	REF		
R35	RES, VAR, 5K +/-10%, 1/2W	327569	11236	360T502A	1		
R36	RES, MTL. FILM, 3.01K +/-1%, 1/8W	312645	91637	CMF553011F	REF		
R37	RES, VAR, 25K +/-10%, 1/2W	500769	32997	3299W-W-253	REF		
R38	RES, COMP, 18 +/-5%, 1/2W	186007	01121	EB1805	REF		
R39	RES, DEP. CAR, 51 +/-5%, 1/4W	414540	80031	CR251-4-5P51E	REF		
R40	RES, MTL. FILM, 1K +/-1%, 1/8W	168229	91637	CMF551601F	2		
R41	RES, DEP. CAR, 470 +/-5%, 1/4W	343434	80031	CR251-4-5P470E	REF		
R42	RES, COMP, 33 +/-5%, 1W	163063	01121	GB3305	1		
R43	RES, MTL. FILM, 56.9 +/-0.5%, 1/8W	461590	89536	461590	2		2
R44	RES, MTL. FILM, 402 +/-0.5%, 1/8W	461632	89536	461632	1		2
R45	RES, MTL. FILM, 56.9 +/-0.5%, 1/8W	461590	89536	461590	REF		2
R46	RES, DEP. CAR, 470 +/-5%, 1/4W	343434	80031	CR251-4-5P470E	REF		
R47	RES, DEP. CAR, 20K +/-5%, 1/4W	441477	80031	CR251-4-5P20K	2		
R48	RES, COMP, 10 +/-10%, 1/8W	321125	01121	BB1001	1		
R49	RES, DEP. CAR, 100K +/-5%, 1/4W	348920	80031	CR251-4-5P100K	4		
R50	RES, DEP. CAR, 100K +/-5%, 1/4W	348920	80031	CR251-4-5P100K	REF		
R51	RES, DEP. CAR, 13K +/-5%, 1/4W	441402	80031	CR251-4-5P13K	1		
R52	RES, MTL. FILM, 33.2K +/-1%, 1/8W	291393	91637	CMF553322F	1		
R53	RES, VAR, 25K +/-10%, 1/2W	500769	32997	3299W-W-253	REF		
R54	RES, COMP, 130 +/-5%, 1/2W	519314	01121	EB1315	1		
R55	RES, DEP. CAR, 10K +/-5%, 1/4W	348839	80031	CR251-4-5P10K	REF		
R56	RES, DEP. CAR, 1.3K +/-5%, 1/4W	441394	80031	CR251-4-5P1K3	1		
R57	RES, DEP. CAR, 10K +/-5%, 1/4W	348839	80031	CR251-4-5P10K	REF		
R58	RES, DEP. CAR, 2K +/-5%, 1/4W	441469	80031	CR251-4-5P2K	1		
R59	RES, DEP. CAR, 22K +/-5%, 1/4W	348870	80031	CR251-4-5P22K	1		
R60	RES, VAR, 100K +/-10%, 1/2W	369520	11236	360T-104A	2		
R61	RES, MTL. FILM, 13.0K +/-1%, 1/8W	335539	91637	CMF551302	1		
R62	RES, MTL. FILM, 2.94K +/-1%, 1/8W	261628	91637	CMF552941F	1		
R63	RES, MTL. FILM, 3.83K +/-1%, 1/8W	235143	91637	CMF553831F	1		
R64	RES, MTL. FILM, 6.34K +/-1%, 1/8W	267344	91637	CMF556341F	2		
R65	RES, MTL. FILM, 6.34K +/-1%, 1/8W	267344	91637	CMF556341F	REF		
R66	RES, MTL. FILM, 22.6K +/-1%, 1/8W	288431	91637	CMF552262F	1		
R67	RES, COMP, 2.4K +/-5%, 1/2W	108902	01121	EB2425	1		
R68	RES, DEP. CAR, 1K +/-5%, 1/4W	343426	80031	CR251-4-5P1K	3		
R69	RES, MTL. FILM, 20K +/-1%, 1/8W	291872	91637	CMF552002F	1		
R70	RES, MTL. FILM, 2.21K +/-1%, 1/8W	347476	91637	CMF552211F	1		
R71	RES, MTL. FILM, 1.78K +/-1%, 1/8W	344366	91637	CMF551781F	1		
R72	RES, DEP. CAR, 100K +/-5%, 1/4W	348920	80031	CR251-4-5P100K	REF		
R73	RES, MTL. FILM, 210 +/-1%, 1/8W	327999	91637	CMF552100F	1		
R74	RES, DEP. CAR, 20K +/-5%, 1/4W	441477	80031	CR251-4-5P20K	REF		
R75	RES, VAR, 100K +/-10%, 1/2W	369520	11236	360T-104A	REF		
R76	RES, MTL. FILM, 1K +/-1%, 1/8W	168229	91637	CMF551001F	REF		

Table 6-22. A4A6 X2 Output Amplifier PCB Assembly (6071A) (cont)

REF DES	DESCRIPTION	FLUKE STOCK NO.	MFG SPLY CODE	MFG PART NO.	TOT QTY	REC QTY	NO TE
R77	RES, DEP. CAR, 100K +/-5%, 1/4W	348920	80031	CR251-4-5P100K	REF		
R78	RES, MTL. FILM, 1.96K +/-1%, 1/8W	288423	91637	CMF551961F	1		
R80	RES, DEP. CAR, 1K +/-5%, 1/4W	343426	80031	CR251-4-5P1K	REF		
R81	RES, DEP. CAR, 130 +/-5%, 1/4W	442301	80031	CR251-4-5P130E	1		
R82	RES, DEP. CAR, 1K +/-5%, 1/4W	343426	80031	CR251-4-5P1K	REF		
R83	RES, DEP. CAR, 82K +/-5%, 1/4W	348912	80031	CR251-4-5P82K	1		
R84	RES, MTL. FILM, 100 +/-1%, 1/8W	168195	91637	CMF551000F	1		
R86	RES, DEP. CAR, 3.9K +/-5%, 1/4W	342600	80031	CR251-4-5P3K9	2		
R87	RES, DEP. CAR, 68K +/-5%, 1/4W	376632	80031	CR251-4-5P68K	1		
R88	RES, DEP. CAR, 3.9K +/-5%, 1/4W	342600	80031	CR251-4-5P3K9	REF		
R89	RES, VAR, 20 +/-20%, 1/2W	275727	11236	360T-200B	1		
R90	RES, COMP, 510 +/-5%, 1/2W	157578	01121	GB5115	1		
R91	RES, VAR, 1K +/-30%, 1/2W	193060	19701	ET50W-102	1		
R92	RES, COMP, 300 +/-5%, 1/8W	512772	01121	BB3015	1		
R93	RES, COMP, 150, +/-5%, 1/8W	153924	01121	BB1515	1		
R94	RES, MTL. FILM, 7.68K +/-1%, 1/8W	370999	91637	CMF557681F	1		
T1	TRANSFORMER	546416	89536	546416	1		
TP1	CONNECTOR, TEST POINT	512889	00779	62395-1	8		
TP2	CONNECTOR, TEST POINT	512889	00779	62395-1	REF		
TP3	CONNECTOR, TEST POINT	512889	00779	62395-1	REF		
TP4	CONNECTOR, TEST POINT	512889	00779	62395-1	REF		
TP5	CONNECTOR, TEST POINT	512889	00779	62395-1	REF		
TP6	CONNECTOR, TEST POINT	512889	00779	62395-1	REF		
TP7	CONNECTOR, TEST POINT	512889	00779	62395-1	REF		
TP8	CONNECTOR, TEST POINT	512889	00779	62395-1	REF		
U1	IC, HYBRID POWER AMP	492751	89536	492751	2	1	
U2	IC, HYBRID POWER AMP	492751	89536	492751	REF		
U3	IC, HYBRID UHF AMP	492744	89536	492744	3	1	
U5	IC, LINEAR, OP-AMP	495051	18324	NE5534N	3	1	
U6	IC, HYBRID UHF AMP	492744	89536	492744	REF		
U7	IC, HYBRID UHF AMP	492744	89536	492744	REF		
U9	IC, HYBRID VHF AMP	490011	89536	490011	1	1	2
U10	IC, TTL, LO-PWR, 3-8 LINE DECODER	407585	01295	SN74LS138N	1	1	
U11	IC, LINEAR, OP-AMP, J-FET INPUT	454454	89536	454454	4	1	
U12	IC, LINEAR, OP-AMP, J-FET INPUT	454454	89536	454454	REF		
U13	IC, LINEAR, OP-AMP, J-FET INPUT	454454	89536	454454	REF		
U14	IC, LINEAR, OP-AMP, J-FET INPUT	454454	89536	454454	REF		
U15	IC, LINEAR, OP-AMP	429951	12040	LF357AH	1	1	
U16	IC, LINEAR, OP-AMP	495051	18324	NE5534N	REF		
U17	IC, LINEAR, OP-AMP	495051	18324	NE5534N	REF		
U18	IC, LINEAR TIMER	402610	18324	NE555N	1	1	
U19	IC, TTL, HEX INVERTER	407593	01295	SN7406N	1	1	2
U20	IC, HYBRID LEVEL DETECTOR	492777	89536	492777	1	1	
U21	SUBTESTED PCB ASSEMBLY	546457	89536	546457	1	1	
U22	SUBTESTED PCB ASSEMBLY	546440	89536	546440	1	1	
U23	SUBTESTED PCB ASSEMBLY	546432	89536	546432	1	1	
U24	SUBTESTED PCB ASSEMBLY	546424	89536	546424	1	1	2
W49	CABLE ASSEMBLY	545806	89536	545806	1		
W57	CABLE ASSEMBLY	535609	89536	535609	1		
XJ1	SOCKET, IC, 14-PIN	370304	12040	MM74C906M	2		

Table 6-22. A4A6 X2 Output Amplifier PCB Assembly (6071A) (cont)

REF DES	DESCRIPTION	FLUKE STOCK ND.	MFG SPLY CODE	MFG PART NO.	TOT QTY	REC QTY	N O T E
XU5	SOCKET, IC, 8-PIN	478016	91506	308-AG39D	9		
XU10	SOCKET, IC, 16-PIN	370312	91506	316-AG39D	1		
XU11	SOCKET, IC, 8-PIN	478016	91506	308-AG39D		REF	
XU12	SOCKET, IC, 8-PIN	478016	91506	308-AG39D		REF	
XU13	SOCKET, IC, 8-PIN	478016	91506	308-AG39D		REF	
XU14	SOCKET, IC, 8-PIN	478016	91506	308-AG39D		REF	
XU15	SOCKET, IC, 8-PIN	408450	89536	408450	1		
XU16	SOCKET, IC, 8-PIN	478016	91506	308-AG39D		REF	
XU17	SOCKET, IC, 8-PIN	478016	91506	308-AG39D		REF	
XU18	SOCKET, IC, 8-PIN	478016	91506	308-AG39D		REF	
	1	BEFORE ORDERING SPARE PARTS OR SPARE PCB ASSEMBLIES, PLEASE CONTACT YOUR NEAREST JOHN FLUKE SERVICE CENTER					
	2	IF THESE COMPONENTS FAIL THE USER IS URGED TO RETURN THE GENERATOR TO THE NEAREST JOHN FLUKE SERVICE CENTER.					

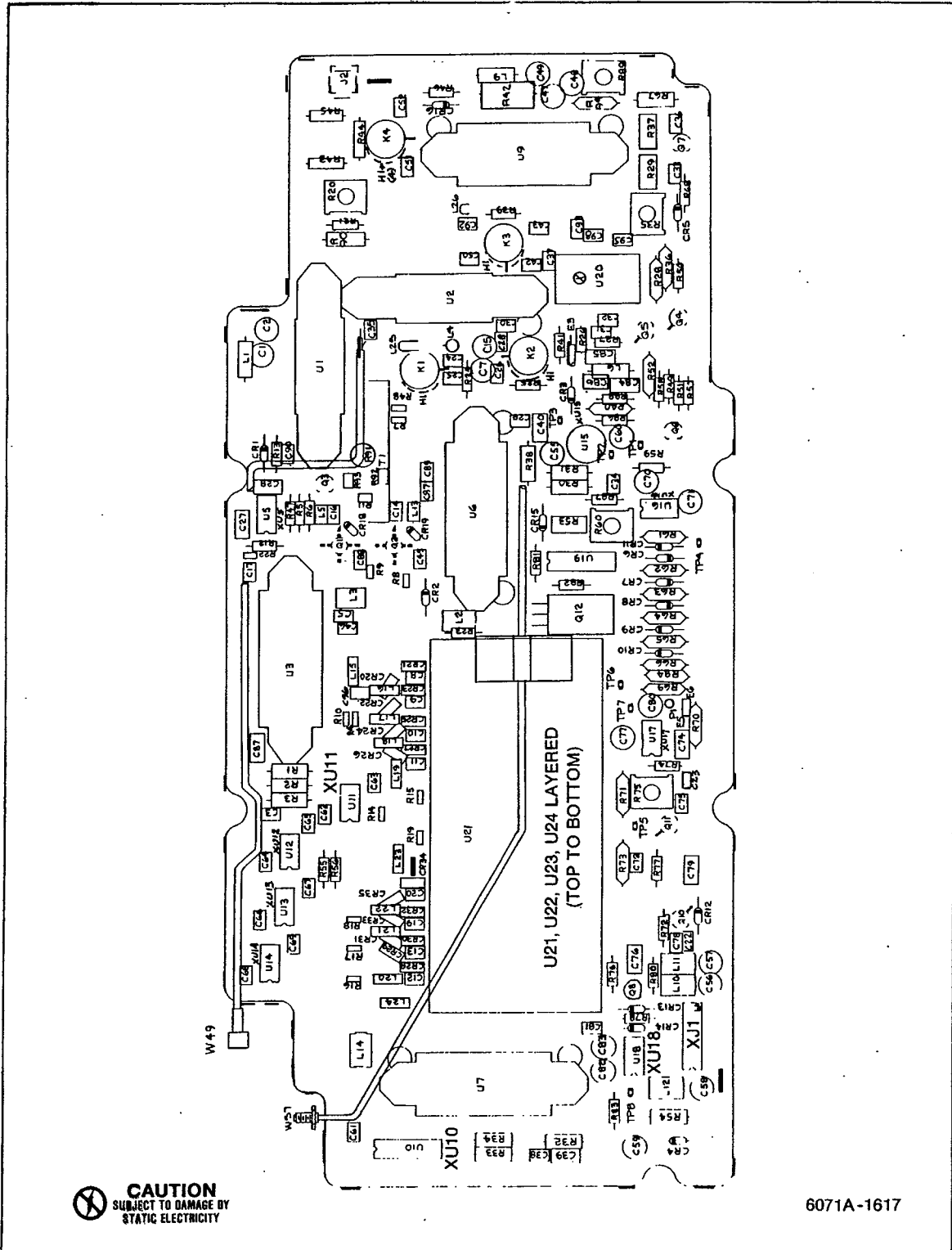


Table 6-23. A4A7 Output Amplifier PCB Assembly (6070A)

REF DES	DESCRIPTION	FLUKE STOCK NO.	MFG SPLY CODE	MFG PART NO.	TOT QTY	REC QTY	N D T E
A4A7②	OUTPUT AMPLIFIER PCB ASSEMBLY FIGURE 6-23 (6070A-4006T) (USED ON 6070A ONLY)	463505	89536	463505		REF	
C1	CAP, TA, 6.8 UF +/-20%, 35V	363713	56289	196D685X0035KA1		13	
C2	CAP, TA, 6.8 UF +/-20%, 35V	363713	56289	196D685X0035KA1		REF	
C3	CAP, TA, 6.8 UF +/-20%, 35V	363713	56289	196D685X0035KA1		REF	
C4	CAP, TA, 6.8 UF +/-20%, 35V	363713	56289	196D685X0035KA1		REF	
C5	CAP, TA, 6.8 UF +/-20%, 35V	363713	56289	196D685X0035KA1		REF	
C6	CAP, CER, 0.001 UF +/-20%, 500V	402966	72982	8121-A100-W5R-102M		7	
C7	CAP, CER, 0.001 UF +/-20%, 500V	402966	72982	8121-A100-W5R-102M		REF	
C8	CAP, CER, 0.001 UF +/-20%, 500V	402966	72982	8121-A100-W5R-102M		REF	
C9	CAP, TA, 6.8 UF +/-20%, 35V	363713	56289	196D685X0035KA1		REF	
C10	CAP, TA, 6.8 UF +/-20%, 35V	363713	56289	196D685X0035KA1		REF	
C11	CAP, CER, 430 PF +/-5%, 50V	528489	89536	528489		1	
C12	CAP, CER, 1800 PF +/-5%, 50V	528547	89536	528547		1	
C13	CAP, CER, 3.9 PF +/-0.25%, 100V	512947	89536	512947		2	
C14	CAP, CER, 27 PF +/-2%, 100V	362749	89536	362749		1	
C15	CAP, CER, 820 PF, 100V	528604	89536	528604		1	
C16	CAP, TA, 6.8 UF +/-20%, 35V	363713	56289	196D685X0035KA1		REF	
C17	CAP, TA, 6.8 UF +/-20%, 35V	363713	56289	196D685X0035KA1		REF	
C18	CAP, TA, 6.8 UF +/-20%, 35V	363713	56289	196D685X0035KA1		REF	
C19	CAP, CER, 0.001 UF +/-20%, 500V	402966	72982	8121-A100-W5R-102M		REF	
C20	CAP, CER, 0.001 UF +/-20%, 500V	402966	72982	8121-A100-W5R-102M		REF	
C21	CAP, CER, 0.001 UF +/-20%, 500V	402966	72982	8121-A100-W5R-102M		REF	
C22	CAP, CER, 0.001 UF +/-20%, 500V	402966	72982	8121-A100-W5R-102M		REF	
C23	CAP, CER, 560 PF +/-5%, 50V	528505	89536	528505		2	
C24	CAP, CER, 0.01 UF +/-20%, 100V	407361	72982	8121-A100-W5R-103M		4	
C25	CAP, CER, 560 PF +/-5%, 50V	528505	89536	528505		REF	
C26	CAP, TA, 6.8 UF +/-20%, 35V	363713	56289	196D685X0035KA1		REF	
C27	CAP, TA, 6.8 UF +/-20%, 35V	363713	56289	196D685X0035KA1		REF	
C28	CAP, TA, 10 UF +/-20%, 15V	193623	56289	196D106X0015A1		REF	
C29	CAP, CER, 100 PF +/-2%, 100V	512848	89536	512848		1	
C31	CAP, MYLAR, 0.22 UF +/-10%, 100V	436113	73445	C280MAH/A220K		1	
C32	CAP, TA, 6.8 UF +/-20%, 35V	363713	56289	196D685X0035KA1		REF	
C33	CAP, CER, 0.01 UF +/-20%, 100V	407361	72982	8121-A100-W5R-103M		REF	
C34	CAP, TA, 10 UF +/-20%, 15V	193623	56289	196D106X0015A1		2	
C35	CAP, CER, 0.01 UF +/-20%, 100V	407361	72982	8121-A100-W5R-103M		REF	
C36	CAP, TA, 2.2 UF +/-20%, 35V	485185	56289	196225X0035KA1		3	
C37	CAP, TA, 2.2 UF +/-20%, 35V	485185	56289	196225X0035KA1		REF	
C38	CAP, CER, 2.2 PF +/-0.25PF, 100V	362731	89536	362731		1	
C39	CAP, CER, 3.9 PF +/-0.25%, 100V	512947	89536	512947		REF	
C40	CAP, CER, 0.033 UF +/-20%, 50V	543074	72982	8121-050-W5R33NFM		1	
C42	CAP, TA, 2.2 UF +/-20%, 35V	485185	56289	196225X0035KA1		REF	
C43	CAP, CER, 0.01 UF +/-20%, 100V	407361	72982	8121-A100-W5R-103M		REF	
C49	CAP, CER, 5.6 PF +/-0.25%, 100V	512954	89536	89536		1	
C53	CAP, CER, 47 PF +/-2%, 100V	512368	89536	512368		1	
CR1	DIODE, SCHOTTKY BARRIER	535195	28480	5082-2800		3	1
CR2	DIODE, SI, HI-SPEED SWITCHING	203323	07910	1N4448		1	1
CR3	DIODE, 2 PELLETT	375477	09214	MPD-200		1	1

Table 6-23. A4A7 Output Amplifier PCB Assembly (6070A) (cont)

REF DES	DESCRIPTION	FLUKE STOCK NO.	MFG SPLY CODE	MFG PART NO.	TOT QTY	REC QTY	N O T E
CR4	DIODE, ZENER, 3.3V +/-10%	309799	04713	1N746	1	1	
CR5	DIODE, ZENER, 6.2V +/-10%	180497	04713	1N753	1	1	
CR6	DIODE, SCHOTTKY BARRIER	535195	28480	5082-2800	REF		
CR8	DIODE, SCHOTTKY BARRIER	535195	28480	5082-2800	REF		
CR9	DIODE, ZENER, 24.0V +/-5%	267807	04713	1N9708	2	1	
CR10	DIODE, ZENER, 10.0 +/-5%	246611	04713	1N961B	2	1	
CR11	DIODE, ZENER, 24.0V +/-5%	267807	04713	1N9708	REF		
CR13	DIODE, ZENER, 5.1V +/-5%	159798	04713	1N751A	2		
CR14	DIODE, ZENER, 10.0 +/-5%	246611	04713	1N961B	REF		
CR15	DIODE, ZENER, 5.1V +/-5%	159798	04713	1N751A	REF		
E5	CONNECTOR, POST	267500	00779	86144-2	2		
E6	CONNECTOR, POST	267500	00779	86144-2	REF		
H1	WASHER, CRESCENT SPRING (W/K1, K2)	544239	89536	544239	1	1	
J2	CONNECTOR, RF, SMA	512087	16733	705147-001	1		
K1	RELAY, ARMATURE	528638	11532	712-26	2	1	1
K2	RELAY, ARMATURE	528638	11532	712-26	REF		1
L1	INDUCTOR, 100 UH, +/-10%, 120 MA	249102	24759	MR-100	3		
L2	INDUCTOR, 100 UH, +/-10%, 120 MA	249102	24759	MR-100	REF		
L3	CHOKE, 6-TURN	320911	89536	320911	3		
L4	CHOKE, 6-TURN	320911	89536	320911	REF		
L5	CHOKE, 6-TURN	320911	89536	320911	REF		
L6	INDUCTOR, 1500 UH +/-10%	343863	24759	MR-1500	1		
L7	INDUCTOR, 100 UH, +/-10%, 120 MA	249102	24759	MR-100	REF		
MP1	AIDE, PCB, PULL (NOT SHOWN)	541730	89536	541730	4		
MP2	CABLE MOUNT (NOT SHOWN)	546374	89536	546374	1		
MP3	COMPONENT HOLDER	422857	98159	2829-75-1	1		
MP4	FOOT, RUBBER, BLACK (NOT SHOWN)	513820	89536	513820	4		
MP5	SOCKET, COMPONENT LEAD (NOT SHOWN)	376418	22526	75060-007	63		
P1	CONNECTOR, RECEPTACLE	544056	89536	544056	1		
Q1⊙	TRANSISTOR, DMOS, FIELD EFFECT	507921	89536	507921	4	1	
Q2⊙	TRANSISTOR, DMOS, FIELD EFFECT	507921	89536	507921	REF		
Q3	TRANSISTOR, NPN	218396	89536	218396	3	1	
Q4⊙	TRANSISTOR, DMOS, FIELD EFFECT	507921	89536	507921	REF		
Q5⊙	TRANSISTOR, DMOS, FIELD EFFECT	507921	89536	507921	REF		
Q7	TRANSISTOR, NPN	218396	89536	218396	REF		
Q8	TRANSISTOR, NPN	218396	89536	218396	REF		
R1	RES, COMP, 510 +/-5%, 1/4W	441600	01121	005115	1		
R2	RES, MTL. FILM, 3.01K +/-1%, 1/8W	312645	91637	CMF553011F	2		
R3	RES, DEP. CAR, 51 +/-5%, 1/4W	414540	80031	CR251-4-5P51E	2		
R4	RES, VAR, 25K +/-10%, 1/2W	500769	32997	3299W-W-253	3		
R5	RES, MTL. FILM, 3.01K +/-1%, 1/8W	312645	91637	CMF553011F	REF		
R6	RES, VAR, 25K +/-10%, 1/2W	500769	32997	3299W-W-253	REF		
R7	RES, COMP, 130 +/-5%, 1/2W	519314	89536	519314	1		
R8	RES, MTL. FILM, 1K +/-1%, 1/8W	168229	91637	CMF551001F	3		
R9	RES, VAR, 25K +/-10%, 1/2W	500769	32997	3299W-W-253	REF		
R10	RES, DEP. CAR, 3.9K +/-5%, 1/4W	342600	80031	CR251-4-5P3K9	2		
R11	RES, MTL. FILM, 33.2K +/-1%, 1/8W	291393	91637	CMF553322F	1		
R12	RES, DEP. CAR, 3.9K +/-5%, 1/4W	342600	80031	CR251-4-5P3K9	REF		
R13	RES, COMP, 100K +/-5%, 1/4W	148189	01121	CB1045	4		
R14	RES, COMP, 100K +/-5%, 1/4W	148189	01121	CB1045	REF		

Table 6-23. A4A7 Output Amplifier PCB Assembly (6070A) cont)

REF DES	DESCRIPTION	FLUKE STOCK NO.	MFG SPLY CODE	MFG PART NO.	TOT QTY	REC QTY	NOTE
R15	RES, DEP. CAR, 13 +/-5%, 1/4W	442186	80031	CR251-4-5P13E	1		
R16	RES, DEP. CAR, 51 +/-5%, 1/4W	414540	80031	CR251-4-5P51E	REF		
R17	RES, MTL. FILM, 13.0K +/-1%, 1/8W	335539	91637	CMF551302F	1		
R18	RES, MTL. FILM, 2.94K +/-1%, 1/8W	261628	91637	CMF552941K	1		
R19	RES, MTL. FILM, 3.83K +/-1%, 1/8W	235143	91637	CMF553831F	1		
R20	RES, MTL. FILM, 6.34K +/-1%, 1/8W	267344	91637	CMF556341F	2		
R21	RES, DEP. CAR, 10K +/-, 1/4W	348839	89536	348839	1		
R22	RES, DEP. CAR, 2K +/-5%, 1/4W	441496	80031	CR251-4-5P2K	1		
R23	RES, DEP. CAR, 22K +/-5%, 1/4W	348870	80031	CR251-4-5P22K	1		
R24	RES, VAR, 100K +/-10%, 1/2W	369520	11236	360T-104A	2		
R25	RES, DEP. CAR, 68K +/-5%, 1/4W	376632	80031	CR251-4-5P68K	1		
R26	RES, MTL. FILM, 20K +/-1%, 1/8W	291872	91637	CMF552002F	1		
R27	RES, MTL. FILM, 2.21K +/-1%, 1/8W	347476	91637	CMF552211F	1		
R28	RES, DEP. CAR, 470 +/-5%, 1/4W	343434	89536	343434	2		
R29	RES, COMP, 2.4K +/-5%, 1/2W	108902	01121	EB2K45	1		
R30	RES, DEP. CAR, 1K +/-5%, 1/4W	343426	80031	CR251-4-5P1K	3		
R31	RES, MTL. FILM, 56.9 +/-0.5%, 1/4W	461590	89536	461590	2		1
R32	RES, MTL. FILM, 402 +/-0.5%, 1/8W	461632	89536	461632	1		1
R33	RES, MTL. FILM, 56.9 +/-0.5%, 1/4W	461590	89536	461590	REF		1
R34	RES, DEP. CAR, 470 +/-5%, 1/4W	343434	89536	343434	REF		
R35	RES, COMP, 100K +/-5%, 1/4W	148189	01121	CB1045	REF		
R36	RES, VAR, 100K +/-10%, 1/2W	369520	11236	360T-104A	REF		
R37	RES, MTL. FILM, 1K +/-1%, 1/8W	168229	91637	CMF551001F	REF		
R38	RES, COMP, 100K +/-5%, 1/4W	148189	01121	CB1045	REF		
R39	RES, DEP. CAR, 1K +/-5%, 1/4W	343426	80031	CR251-4-5P1K	REF		
R40	RES, DEP. CAR, 82K +/-5%, 1/4W	348912	80031	CR251-4-5P82K	1		
R41	RES, DEP. CAR, 2.4K +/-5%, 1/4W	441493	80031	CR251-4-5P2K4	1		
R42	RES, MTL. FILM, 1K +/-1%, 1/8W	168229	91637	CMF551001F	REF		
R43	RES, DEP. CAR, 1K +/-5%, 1/4W	343426	80031	CR251-4-5P1K	REF		
R44	RES, MTL. FILM, 6.34K +/-1%, 1/8W	267344	91637	CMF556341F	REF		
R46	RES, MTL. FILM, 22.6K +/-1%, 1/8W	288431	91637	CMF552262F	1		
R47	RES, MTL. FILM, 100 +/-1%, 1/8W	168195	91637	CMF551000F	1		
R48	RES, VAR, 5K +/-10%, 1/2W	327569	11236	360T502A	1		
R50	RES, COMP, 820 +/-5%, 1/8W	512806	01121	BB1-882105	2		
R51	RES, COMP, 5.6 +/-5%, 1/4W	208033	01121	CB5605	1		
R52	RES, COMP, 820 +/-5%, 1/8W	512806	01121	BB1-882105	REF		
R53	RES, DEP. CAR, 20K +/-5%, 1/4W	441477	80031	CR251-4-5P20K	1		
R54	RES, COMP, 27 +/-5%, 1/8W	266254	01121	BB1-82705	1		
R55	RES, DEP. CAR, 220 +/-5%, 1/4W	342626	80031	CR251-4-5P220E	2		
R56	RES, VAR, 500 +/-10%, 1/2W	325613	89536	325613	2		
R57	RES, VAR, 500 +/-10%, 1/2W	325613	89536	325613	REF		
R58	RES, DEP. CAR, 220 +/-5%, 1/4W	342626	80031	CR251-4-5P220E	REF		
R61	RES, COMP, 510 +/-5%, 1/2W	108951	01121	RC020GF511-JS	1		
TP1	CONNECTOR (FASTON TAP)	512889	02660	62395-1834	8		
TP2	CONNECTOR (FASTON TAP)	512889	02660	62395-1834	REF		
TP3	CONNECTOR (FASTON TAP)	512889	02660	62395-1834	REF		
TP4	CONNECTOR (FASTON TAP)	512889	02660	62395-1834	REF		
TP5	CONNECTOR (FASTON TAP)	512889	02660	62395-1834	REF		
TP6	CONNECTOR (FASTON TAP)	512889	02660	62395-1834	REF		
TP7	CONNECTOR (FASTON TAP)	512889	02660	62395-1834	REF		

Table 6-23. A4A7 Output Amplifier PCB Assembly (6070A) (cont)

REF DES	DESCRIPTION	FLUKE STOCK NO.	MFG SPLY CODE	MFG PART NO.	TOT QTY	REC QTY	NOTE
TP6	CONNECTOR (FASTON TAP)	512889	02660	62395-1834	REF		
U1	7DB POWER AMPLIFIER	492751	89536	492751	3	1	
U2	7DB POWER AMPLIFIER	492751	89536	492751	REF		
U3②	LEVEL DETECTOR	492777	89536	492777	1	1	1
U4	IC, LIN, OP AMP	429951	12040	LF357AH	1	1	
U5	IC, OP-AMP, LO-NOISE	477745	18324	NE5534AN	2	1	
U6	7DB POWER AMPLIFIER	492751	89536	492751	REF		1
U7	IC, OP-AMP, LO-NOISE	477745	18324	NE5534AN	REF		
U8	IC, TTL, BUFFERS AND INTERFACE GATES	407593	01295	SN7406	1	1	
U9	IC, LINEAR TIMER	402610	18324	NE555N	1	1	
W47	CABLE ASSEMBLY	577288	89536	577288	1		
W49	CABLE ASSEMBLY	524983	89536	524983	1		
XJ1	SOCKET, 14-PIN	370304	12040	MM74C906N	2		
XU4	SOCKET, IC, 8-PIN	408450	89536	408450	1		
XU5	SOCKET, IC, 8-PIN	478016	91506	308-AG39D	3		
XU7	SOCKET, IC, 8-PIN	478016	91506	308-AG39D	REF		
XU8	SOCKET, IC, 14-PIN	370304	12040	MM74C906N	REF		
XU9	SOCKET, IC, 8-PIN	478016	91506	308-AG39D	REF		
1	IF THESE COMPONENTS FAIL THE USER IS URGED TO RETURN THE GENERATOR TO THE NEAREST JOHN FLUKE SERVICE CENTER.						

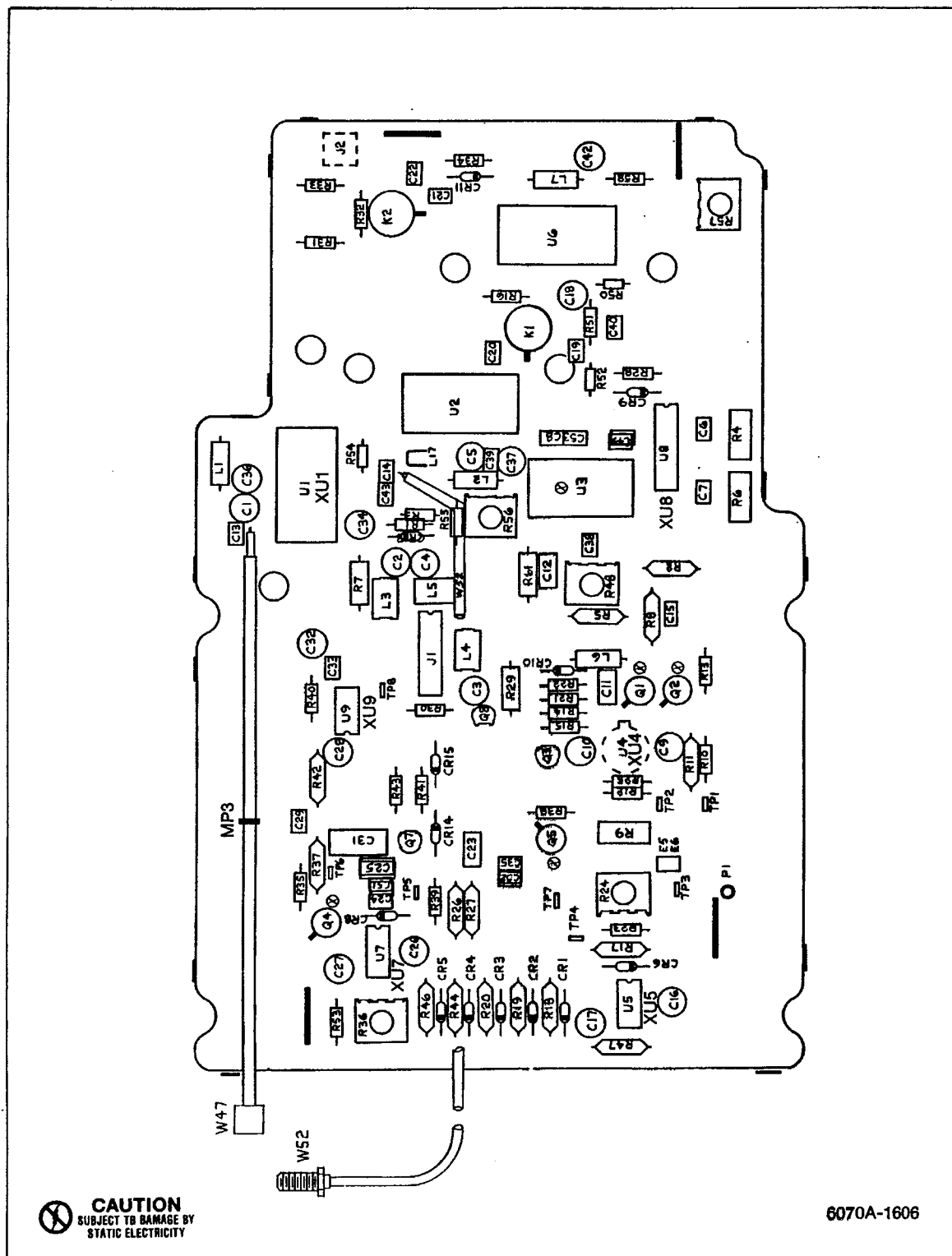


Figure 6-23. A4A7 Output Amplifier PCB Assembly (6070A)

Table 6-24. A4A8 Hetrodyne Oscillator PCB Assembly

REF DES	DESCRIPTION	FLUKE STOCK NO.	MFG SPLY CODE	MFG PART NO.	TOT QTY	REC QTY	NOTE
A4A8②	HETRODYNE OSCILLATOR PCB ASSEMBLY FIGURE 6-24 (6070A-4015T)	463588	89536	463588	REF		1
C1	CAP, TA, 39 UF +/-20%, 6V	163915	56289	196D396X0006	5		
C2	CAP, TA, 22 UF +/-20%, 15V	423012	56289	196D226X0015KA1	3		
C3	CAP, TA, 10 UF +/-20%, 35V	417683	56289	196D106X0035KA1	1		
C4	CAP, TA, 22 UF +/-20%, 15V	423012	56289	196D226X0015KA1	REF		
C5	CAP, CER, 0.001 UF +/-20%, 500V	402966	72982	8121-A100-W5R-102M	18		
C6	CAP, CER, 0.001 UF +/-20%, 500V	402966	72982	8121-A100-W5R-102M	REF		
C7	CAP, TA, 39 UF +/-20%, 6V	163915	56289	196D396X0006	REF		
C8	CAP, TA, 39 UF +/-20%, 6V	163915	56289	196D396X0006	REF		
C9	CAP, CER, 100 PF +/-2%, 100V	512848	89536	512848	2		
C10	CAP, CER, 0.05 UF -20/+80%, 25V	148924	72982	5855-000-Y5U0-503Z	5		
C11	CAP, TA, 10 UF +/-20%, 15V	193623	56289	196D106X0015A1	1		
C12	CAP, TA, 0.47 UF +/-20%, 35V	161349	56289	196D474X0035HA1	8		
C13	CAP, TA, 0.47 UF +/-20%, 35V	161349	56289	196D474X0035HA1	REF		
C14	CAP, TA, 39 UF +/-20%, 6V	163915	56289	196D396X0006	REF		
C15	CAP, CER, 0.001 UF +/-20%, 500V	402966	72982	8121-A100-W5R-102M	REF		
C16	CAP, TA, 39 UF +/-20%, 6V	163915	56289	196D396X0006	REF		
C17	CAP, TA, 0.47 UF +/-20%, 35V	161349	56289	196D474X0035HA1	REF		
C18	CAP, TA, 0.47 UF +/-20%, 35V	161349	56289	196D474X0035HA1	REF		
C19	CAP, CER, 0.001 UF +/-20%, 500V	402966	72982	8121-A100-W5R-102M	REF		
C20	CAP, CER, 0.68 PF +/-1%, 100V	485011	89536	485011	2		2
C22	CAP, CER, 3.9 PF +/-0.25PF, 100V	512947	89536	512947	2		
C23	CAP, CER, 0.001 UF +/-20%, 500V	402966	72982	8121-A100-W5R-102M	REF		
C24	CAP, CER, 0.001 UF +/-20%, 500V	402966	72982	8121-A100-W5R-102M	REF		
C25	CAP, CER, 0.05 UF -20/+80%, 25V	148924	72982	5855-000-Y5U0-503Z	REF		
C26	CAP, MYLAR, 0.033 UF +/-10%, 250V	234492	73445	C280MAE/A33K	2		
C27	CAP, CER, 0.05 UF -20/+80%, 25V	148924	72982	5855-000-Y5U0-503Z	REF		
C28	CAP, CER, 0.05 UF -20/+80%, 25V	148924	72982	5855-000-Y5U0-503Z	REF		
C29	CAP, MYLAR, 0.033 UF +/-10%, 250V	234492	73445	C280MAE/A33K	REF		
C30	CAP, TA, 0.47 UF +/-20%, 35V	161349	56289	196D474X0035HA1	REF		
C31	CAP, TA, 0.47 UF +/-20%, 35V	161349	56289	196D474X0035HA1	REF		
C32	CAP, CER, 39 PF +/-2%, 100V	512962	89536	512962	8		
C33	CAP, CER, 39 PF +/-2%, 100V	512962	89536	512962	REF		
C34	CAP, CER, 39 PF +/-2%, 100V	512962	89536	512962	REF		
C35	CAP, CER, 39 PF +/-2%, 100V	512962	89536	512962	REF		
C36	CAP, POLY, 0.1 UF +/-10%, 100V	393439	89536	393439	1		
C37	CAP, CER, 39 PF +/-2%, 100V	512962	89536	512962	REF		
C38	CAP, CER, 39 PF +/-2%, 100V	512962	89536	512962	REF		
C39	CAP, CER, 5.6 PF +/-0.25PF, 100V	512954	89536	512954	1		
C40	CAP, CER, 39 PF +/-2%, 100V	512962	89536	512962	REF		
C41	CAP, TA, 6.8 UF +/-20%, 35V	363713	56289	196D685X0035KA1	1		
C42	CAP, CER, 0.001 UF +/-20%, 500V	402966	72982	8121-A100-W5R-102M	REF		
C43	CAP, CER, 0.05 UF -20/+80%, 25V	148924	72982	5855-000-Y5U0-503Z	REF		
C44	CAP, CER, 0.001 UF +/-20%, 500V	402966	72982	8121-A100-W5R-102M	REF		
C45	CAP, CER, 3.9 PF +/-0.25PF, 100V	512947	89536	512947	REF		
C46	CAP, CER, 39 PF +/-2%, 100V	512962	89536	512962	REF		
C47	CAP, CER, 0.001 UF +/-20%, 500V	402966	72982	8121-A100-W5R-102M	REF		
C48	CAP, CER, 0.001 UF +/-20%, 500V	402966	72982	8121-A100-W5R-102M	REF		

Table 6-24. A4A8 Hetrodyne Oscillator PCB Assembly (cont)

REF DES	DESCRIPTION	FLUKE STOCK NO.	MFG SPLY CODE	MFG PART NO.	TOT QTY	REC QTY	N D T E
C49	CAP, CER, 0.68 PF +/-1%, 100V	485011	89536	485011	REF		2
C50	CAP, CER, 0.001 UF +/-20%, 500V	402966	72982	8121-A100-W5R-102M	REF		
C51	CAP, TA, 47 UF +/-20%, 20V	348516	56289	196D476X0020KE4		1	
C52	CAP, TA, 22 UF +/-20%, 15V	423012	56289	196D226X0015KA1	REF		
C53	CAP, CER, 18 PF +/-2%, 100V	512335	89536	512335		1	
C54	CAP, CER, 0.001 UF +/-20%, 500V	402966	72982	8121-A100-W5R-102M	REF		
C55	CAP, CER, 0.001 UF +/-20%, 500V	402966	72982	8121-A100-W5R-102M	REF		
C56	CAP, TA, 0.47 UF +/-20%, 35V	161349	56289	196D474X0035HA1	REF		
C57	CAP, TA, 0.47 UF +/-20%, 35V	161349	56289	196D474X0035HA1	REF		
C58	CAP, CER, 0.001 UF +/-20%, 500V	402966	72982	8121-A100-W5R-102M	REF		
C59	CAP, CER, 0.001 UF +/-20%, 500V	402966	72982	8121-A100-W5R-102M	REF		
C60	CAP, CER, 0.001 UF +/-20%, 500V	402966	72982	8121-A100-W5R-102M	REF		
C61	CAP, CER, 0.001 UF +/-20%, 500V	402966	72982	8121-A100-W5R-102M	REF		
C62	CAP, TA, 2.2 UF +/-20%, 15V	364216	56289	196225X0015HA1		1	
C64	CAP, VAR, 1.7 - 10 PF, 250V	321109	89536	321109		1	2
C65	CAP, CER, 100 PF +/-2%, 100V	512848	89536	512848	REF		
C66	CAP, TA, 82 UF +/-20%, 20V	357392	12954	D82GS2D20M		1	
C69	CAP, TA, 1 UF +/-20%, 35V	161919	56289	196D010X0035G		1	
C70	CAP, CER, 0.001 UF +/-20%, 500V	402966	72982	8121-A100-W5R-102M	REF		
C71	CAP, CER, 1000 PF +/-5%, 50V	528539	89536	528539		3	
C72	CAP, CER, 1000 PF +/-5%, 50V	528539	89536	528539	REF		
C73	CAP, CER, 430 PF +/-5%, 50V	528489	89536	528489		2	
C74	CAP, CER, 430 PF +/-5%, 50V	528489	89536	528489	REF		
C75	CAP, CER, 1000 PF +/-5%, 50V	528539	89536	528539	REF		
CR1	DIODE, SI	368738	04713	1N4004		1	1
CR2	DIODE, MICROWAVE TUNING	508010	89536	508010		2	1 2
CR3	DIODE, MICROWAVE TUNING	508010	89536	508010	REF		2
CR5	DIODE, HI-SPEED SWITCHING	203323	07910	1N4448		1	
CR6	DIODE, SI, SMALL SIGNAL	313247	28484	HP5082-6264		2	
CR7	DIODE, SI, SMALL SIGNAL	313247	28484	HP5082-6264	REF		
CR8	DIODE, ZENER, UNCOMPENSATED	325811	07910	1N753A		2	
CR9	DIODE, ZENER, UNCOMPENSATED	325811	07910	1N753A	REF		
J1	CONNECTOR, RF, SMB	512095	16733	702033		1	
J4	CONNECTOR, RF, SMA	512087	16733	705147-001		2	
J5	CONNECTOR, RF, SMA	512087	16733	705147-001	REF		
K1	RELAY, SPST	461434	15636	R7254-1		1	
L1	INDUCTOR, COIL, 6-TURN	320911	89536	320911		8	
L2	INDUCTOR, COIL, 6-TURN	320911	89536	320911	REF		
L3	INDUCTOR, COIL, 6-TURN	320911	89536	320911	REF		
L4	INDUCTOR, COIL, 6-TURN	320911	89536	320911	REF		
L5	INDUCTOR, COIL, 6-TURN	320911	89536	320911	REF		
L6	INDUCTOR, COIL, 6-TURN	320911	89536	320911	REF		
L7	INDUCTOR, VARIABLE	528943	89536	528943		2	2
L8	INDUCTOR, VARIABLE	528943	89536	528943	REF		2
L9	INDUCTOR, COIL, 10-TURN	496448	89536	496448		4	
L10	INDUCTOR, COIL, 10-TURN	496448	89536	496448	REF		
L11	INDUCTOR, COIL, 6-TURN	320911	89536	320911	REF		
L12	INDUCTOR, COIL, 6-TURN	320911	89536	320911	REF		
L13	INDUCTOR, COIL, 10-TURN	496448	89536	496448	REF		
L14	INDUCTOR, COIL, 10-TURN	496448	89536	496448	REF		

Table 6-24. A4A8 Hetrodyne Oscillator PCB Assembly (cont)

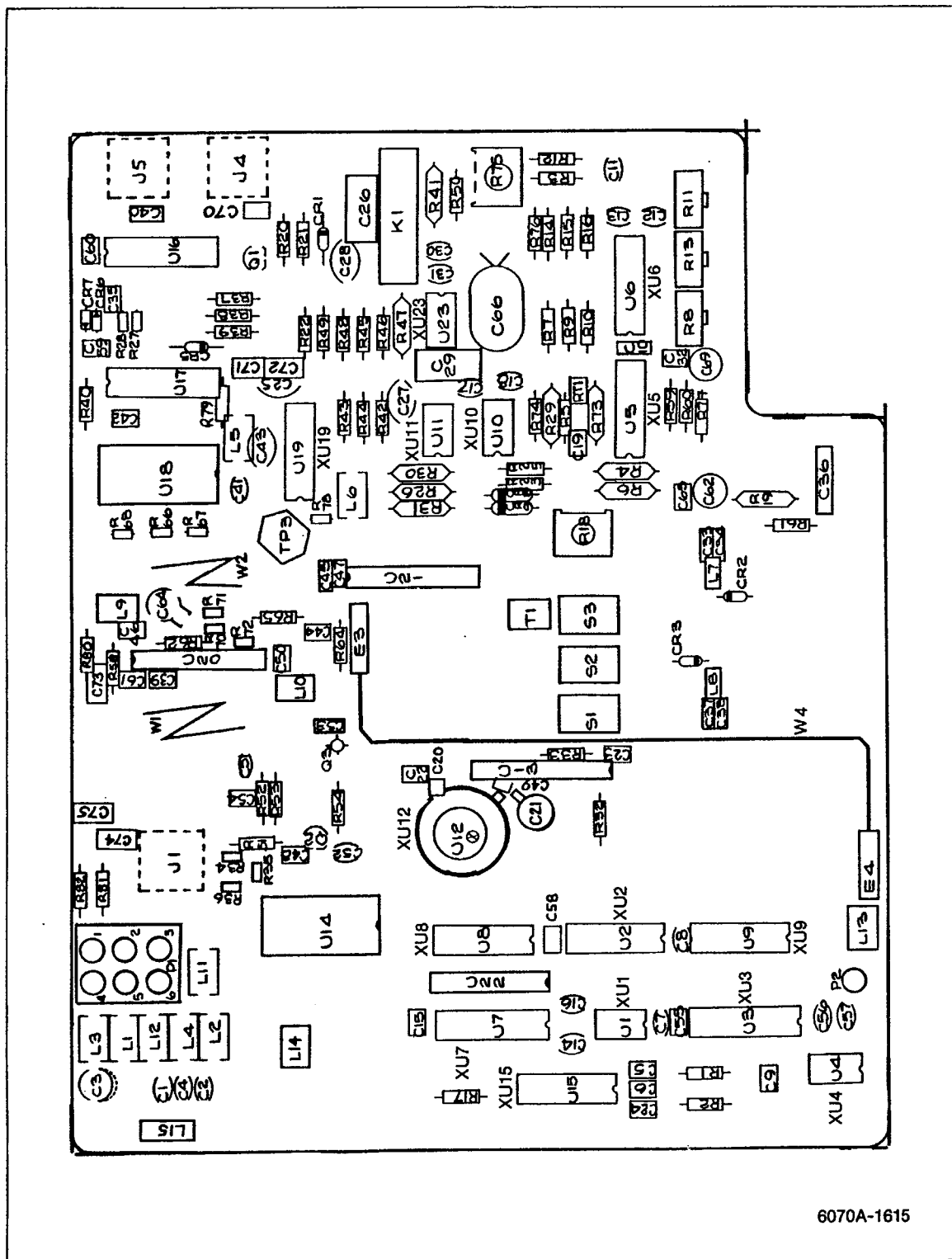
REF DES	DESCRIPTION	FLUKE STOCK NO.	MFG SPLY CODE	MFG PART NO.	TOT QTY	REC QTY	NOTE
L15	CHOKE, CORE	321182	89536	321182	1		
MP1	AIDE, PCB PULL (NOT SHOWN)	541730	89536	541730	2		
MP2	SOCKET, INSERT (NOT SHOWN)	376418	89536	376418	94		
P1	CONNECTOR, RECEPTACLE	544056	00779	50871-1	7		
P2	CONNECTOR, RECEPTACLE	544056	00779	50871-1	REF		
Q1	TRANSISTOR, SI, NPN	218396	04713	2N3904	1	1	
Q2	TRANSISTOR, SI, PNP	195974	04713	2N3906	1	1	
Q3	TRANSISTOR, SI, NPN, MICROWAVE	483156	89536	483156	1	1	2
R1	RES, DEP. CAR, 47K +/-5%, 1/4W	348896	80031	CR251-4-5P47K	2		
R2	RES, DEP. CAR, 47K +/-5%, 1/4W	348896	80031	CR251-4-5P47K	REF		
R3	RES, DEP. CAR, 6.8K +/-5%, 1/4W	368761	80031	CR251-4-5P6K8	2		
R4	RES, MTL. FILM, 1.87K +/-1%, 1/8W	267229	91637	CMF551871F	1		
R5	RES, DEP. CAR, 2.4K +/-5%, 1/4W	442384	80031	CR251-4-5P24K	2		
R6	RES, MTL. FILM, 7.15K +/-1%, 1/8W	260356	91637	CMF557151F	1		
R7	RES, DEP. CAR, 24K +/-5%, 1/4W	442384	80031	CR251-4-5P24K	REF		
R8	RES, VAR, 50K +/-10%, 1/2W	288290	89536	288290	REF		
R9	RES, DEP. CAR, 1K +/-5%, 1/4W	343426	80031	CR251-4-5P1K	9		
R10	RES, DEP. CAR, 2.4K +/-5%, 1/4W	441493	80031	CR251-4-5P2K4	1		
R11	RES, VAR, 50K +/-10%, 1/2W	288290	89536	288290	2		
R12	RES, DEP. CAR, 30K +/-5%, 1/4W	368753	80031	CR251-4-5P30K	2		
R13	RES, VAR, 10K +/-10%, 1/2W	285171	89536	285171	1		
R14	RES, DEP. CAR, 1K +/-5%, 1/4W	343426	80031	CR251-4-5P1K	REF		
R15	RES, DEP. CAR, 30K +/-5%, 1/4W	368753	80031	CR251-4-5P30K	REF		
R16	RES, DEP. CAR, 10K +/-5%, 1/4W	348839	80031	CR251-4-5P10K	4		
R17	RES, DEP. CAR, 10K +/-5%, 1/4W	348839	80031	CR251-4-5P10K	REF		
R18	RES, VAR, 10K +/-10%, 1/2W	309674	75378	360T-103A	1		
R19	RES, MTL. FILM, 140K +/-1%, 1/8W	289439	91637	CMF551403F	1		
R20	RES, DEP. CAR, 1.6K +/-5%, 1/4W	348805	80031	CR251-4-5P1K6	1		
R21	RES, DEP. CAR, 3.9K +/-5%, 1/4W	342600	80031	CR251-4-5P3K9	1		
R22	RES, DEP. CAR, 5.1K +/-5%, 1/4W	368712	80031	CR251-4-5P5K1	1		
R23	RES, DEP. CAR, 1K +/-5%, 1/4W	343426	80031	CR251-4-5P1K	REF		
R25	RES, DEP. CAR, 1K +/-5%, 1/4W	343426	80031	CR251-4-5P1K	REF		
R26	RES, MTL. FILM, 68.1K +/-1%, 1/8W	236828	91637	CMF556812F	1		
R27	RES, COMP, 2K +/-5%, 1/8W	246959	01121	BB2025	1		
R28	RES, COMP, 220 +/-10%, 1/8W	153957	01121	BB2211	1		
R29	RES, MTL. FILM, 34K +/-1%, 1/8W	261602	91637	CMF553402F	2		
R30	RES, MTL. FILM, 34K +/-1%, 1/8W	261602	91637	CMF553402F	REF		
R31	RES, MTL. FILM, 340K +/-1%, 1/8W	375949	91637	CMF553403F	1		
R32	RES, DEP. CAR, 5.1 +/-5%, 1/4W	441287	80031	CR251-4-5P5R1	1		
R33	RES, DEP. CAR, 180 +/-5%, 1/4W	441436	80031	CR251-4-5P180E	1		
R34	RES, COMP, 180 +/-5%, 1/8W	512756	01121	BB1815	2		
R35	RES, COMP, 30 +/-5%, 1/8W	512723	01121	BB3005	1		
R36	RES, COMP, 180 +/-5%, 1/8W	512756	01121	BB1815	REF		
R37	RES, DEP. CAR, 510 +/-5%, 1/4W	441600	80031	CR251-4-5P510E	10		
R38	RES, DEP. CAR, 510 +/-5%, 1/4W	441600	80031	CR251-4-5P510E	REF		
R39	RES, DEP. CAR, 510 +/-5%, 1/4W	441600	80031	CR251-4-5P510E	REF		
R40	RES, DEP. CAR, 51 +/-5%, 1/4W	414540	80031	CR251-4-5P51E	4		
R41	RES, MTL. FILM, 15.4K +/-1%, 1/8W	261651	91637	CMF551542F	2		
R42	RES, DEP. CAR, 510 +/-5%, 1/4W	441600	80031	CR251-4-5P510E	REF		
R43	RES, DEP. CAR, 510 +/-5%, 1/4W	441600	80031	CR251-4-5P510E	REF		

Table 6-24. A4A8 Hetrodyne Oscillator PCB Assembly (cont)

REF DES	DESCRIPTION	FLUKE STOCK NO.	MFG SPLY CODE	MFG PART NO.	TOT QTY	REC QTY	N D T E
R44	RES, DEP. CAR, 510 +/-5%, 1/4W	441600	80031	CR251-4-5P510E	REF		
R45	RES, DEP. CAR, 6.2K +/-5%, 1/4W	442368	80031	CR251-4-5P6K2	2		
R46	RES, DEP. CAR, 510 +/-5%, 1/4W	441600	80031	CR251-4-5P510E	REF		
R47	RES, MTL. FILM, 15.4K +/-1%, 1/8W	261651	91637	CMF551542F	REF		
R48	RES, DEP. CAR, 510 +/-5%, 1/4W	441600	80031	CR251-4-5P510E	REF		
R49	RES, DEP. CAR, 510 +/-5%, 1/4W	441600	80031	CR251-4-5P510E	REF		
R50	RES, DEP. CAR, 10K +/-5%, 1/4W	348839	80031	CR251-4-5P10K	REF		
R51	RES, DEP. CAR, 5.6K +/-5%, 1/4W	442350	80031	CR251-4-5P5K6	1		
R52	RES, DEP. CAR, 6.2K +/-5%, 1/4W	442368	80031	CR251-4-5P6K2	REF		
R53	RES, DEP. CAR, 160 +/-5%, 1/4W	441410	80031	CR251-4-5P160E	1		
R54	RES, DEP. CAR, 1K +/-5%, 1/4W	343426	80031	CR251-4-5P1K	REF		
R58	RES, DEP. CAR, 51 +/-5%, 1/4W	414540	80031	CR251-4-5P51E	REF		
R59	RES, DEP. CAR, 1K +/-5%, 1/4W	343426	80031	CR251-4-5P1K	REF		
R60	RES, DEP. CAR, 51 +/-5%, 1/4W	414540	80031	CR251-4-5P51E	REF		
R61	RES, DEP. CAR, 51 +/-5%, 1/4W	414540	80031	CR251-4-5P51E	REF		
R62	RES, DEP. CAR, 330 +/-5%, 1/4W	368720	80031	CR251-4-5P330E	1		
R64	RES, DEP. CAR, 10K +/-5%, 1/4W	348839	80031	CR251-4-5P10K	REF		
R65	RES, DEP. CAR, 100 +/-5%, 1/4W	348771	80031	CR251-4-5P100E	1		
R66	RES, COMP, 18 +/-5%, 1/8W	500397	01121	BB1805	1		
R67	RES, COMP, 300 +/-5%, 1/8W	512772	01121	BB3015	2		
R68	RES, COMP, 300 +/-5%, 1/8W	512772	01121	BB3015	REF		
R70	RES, COMP, 47 +/-5%, 1/8W	272211	01121	BB4405	1		
R71	RES, COMP, 120 +/-5%, 1/8W	513978	01121	BB1215	2		
R72	RES, COMP, 120 +/-5%, 1/8W	513978	01121	BB1215	REF		
R73	RES, MTL. FILM, 102K +/-1%, 1/8W	291286	91637	CMF551023F	1		
R74	RES, DEP. CAR, 510 +/-5%, 1/4W	441600	80031	CR251-4-5P510E	REF		
R75	RES, VAR, 25K +/-10%, 1/2W	494591	11236	360T-253A	1		
R76	RES, DEP. CAR, 6.8K +/-5%, 1/4W	368761	80031	CR251-4-5P6K8	REF		
R77	RES, DEP. CAR, 1K +/-5%, 1/4W	343426	80031	CR251-4-5P1K	REF		
R78	RES, COMP, 10K +/-10%, 1/8W	246975	01121	BB1031	1		
R79	RES, DEP. CAR, 1K +/-5%, 1/4W	343426	80031	CR251-4-5P1K	REF		
R80	RES, DEP. CAR, 100 +/-5%, 1/4W	348771	80031	CR251-4-5P100E	1		
R81	RES, DEP. CAR, 1K +/-5%, 1/4W	343426	80031	CR251-4-5P1K	REF		
R82	RES, DEP. CAR, 30 +/-5%, 1/4W	442228	80031	CR251-4-5P30E	1		
RT1	RES, THERMISTOR, TEMP SENSITIVE	104596	89536	104596	1		2
S1	SWITCH, SLIDE, DPDT	393629	10389	23-021-114	3	1	2
S2	SWITCH, SLIDE, DPDT	393629	10389	23-021-114	REF		
S3	SWITCH, SLIDE, DPDT	393629	10389	23-021-114	REF		
T1	TRANSFORMER	469064	89536	469064	1		
TP1	CONNECTOR, TEST POINT (NOT SHOWN)	512889	00779	62395-1	4		
TP2	CONNECTOR, TEST POINT (NOT SHOWN)	512889	00779	62395-1	REF		
TP3	SOCKET, CONNECTOR (NOT SHOWN)	352450	98291	51-051-0000	1		
TP4	CONNECTOR, TEST POINT (NOT SHOWN)	512889	00779	62395-1	REF		
TP5	CONNECTOR, TEST POINT	512889	00779	62395-1	REF		
U1	IC, LINEAR TIMER	402610	18324	NE555N	1	1	
U2	IC, TTL, 4-BIT BINARY COUNTER	320739	01295	SN7493N	1	1	
U3	IC, MONOLITHIC, 10-BIT D/A CONVERTER	477760	24355	AD561J	1	1	
U4	IC, LINEAR, OP-AMP	472779	12040	LF386N	1	1	
U5	IC, LINEAR VOLTAGE REGULATOR	379420	04713	MC1723CL	1	1	
U6	IC, LINEAR, OP-AMP, J-FET INPUT	483438	89536	483438	1	1	

Table 6-24. A4A8 Hetrodyne Oscillator PCB Assembly (cont)

REF DES	DESCRIPTION	FLUKE STOCK NO.	MFG SPLY CODE	MFG PART NO.	TOT QTY	REC QTY	NO TE
U7	IC, LO-PWR SCHOTTKY	404186	01295	SN74LS123N	1	1	
U8	IC, TTL, QUAD, 2-INPUT NOR GATE	393041	01295	SN74LS02N	1	1	
U9	IC, DUAL, 4-BIT DECADE & BINARY COUNTERS	419069	01295	SN74393N	1	1	
U10	IC, LINEAR COMPARATOR	352195	01295	SN72311P	1	1	
U11	IC, 8-CHANNEL MULTIPLEX SWITCH	508036	17856	S13705-193K	1	1	
U12 ^①	IC, S.A.W.	429662	89536	429662	1	1	2
U13	IC, IODB AMP	492710	89536	492710	3	1	
U14	IC, 6DB, 150 AMP	492819	89536	492819	2	1	
U15	IC, TTL, QUAD 2-IN NOR GATE	288845	01295	SN7402N	1	1	
U16	IC, ECL, BI-QUINARY COUNTER	525337	04713	MC10138L	1	1	
U17	IC, ECL, 2-MOD PRESCALER	454900	89536	454900	1	1	
U18	IC, 6DB, 150 AMP	492819	89536	492819	REF		
U19	IC, ECL, PHASE FREQUENCY DETECTOR	525311	04713	MC12040L	1	1	
U20	IC, IODB AMP	492710	89536	492710	REF		
U21	IC, IODB AMP	492710	89536	492710	REF		
U22	RESISTOR NETWORK	412924	89536	412924	1	1	
U23	IC, LINEAR, LO-NOISE DUAL OP-AMP	504720	18324	NE5532FE	1	1	
W1	HYBRID COUPLER	526509	89536	526509	2		
W2	HYBRID COUPLER	526509	89536	526509	REF		
W4	CABLE ASSEMBLY, RFC	539114	89536	539114	1		
XU1	SOCKET, IC, 8-PIN	478016	91506	308-AG39D	5		
XU2	SOCKET, IC, 14-PIN	276527	91507	314-AG39D	7		
XU3	SOCKET, IC, 16-PIN	276535	91506	316-AG39D	2		
XU4	SOCKET, IC, 8-PIN	478016	91506	308-AG39D	REF		
XU5	SOCKET, IC, 14-PIN	276527	91507	314-AG39D	REF		
XU6	SOCKET, IC, 14-PIN	276527	91507	314-AG39D	REF		
XU7	SOCKET, IC, 16-PIN	276535	91506	316-AG39D	REF		
XU8	SOCKET, IC, 14-PIN	276527	91507	314-AG39D	REF		
XU9	SOCKET, IC, 14-PIN	276527	91507	314-AG39D	REF		
XU10	SOCKET, IC, 8-PIN	478016	91506	308-AG39D	REF		
XU11	SOCKET, IC, 8-PIN	478016	91506	308-AG39D	REF		
XU12	INSULATOR, TO-8	577775	89536	577775	1		
XU15	SOCKET, IC, 14-PIN	276527	91507	314-AG39D	REF		
XU19	SOCKET, IC, 14-PIN	276527	91507	314-AG39D	REF		
XU23	SOCKET, IC, 8-PIN	478016	91506	308-AG39D	REF		
1	BEFORE ORDERING SPARE PARTS OR SPARE PCB ASSEMBLIES, PLEASE CONTACT YOUR NEAREST JOHN FLUKE SERVICE CENTER FOR INFORMATION.						
2	IF THESE COMPONENTS FAIL, THE USER IS URGED TO RETURN THE GENERATOR TO THE NEAREST JOHN FLUKE SERVICE CENTER.						



6070A-1615

Figure 6-24. A4A8 Hetrodyne Oscillator PCB Assembly

Table 6-25. A4A9 Hetrodyne Converter PCB Assembly

REF DES	DESCRIPTION	FLUKE STOCK NO.	MFG SPLY CODE	MFG PART NO.	TOT QTY	REC QTY	NOTE
A4A9	HETRODYNE CONVERTER PCB ASSEMBLY FIGURE 6-25 (6070A-4013T)	463562	89536	463562		REF	
C1	CAP, CER, 0.001 UF +/-20%, 500V	402966	72982	8121-A100-W5R-102M	11		
C2	CAP, CER, 0.001 UF +/-20%, 500V	402966	72982	8121-A100-W5R-102M		REF	
C3	CAP, CER, 0.001 UF +/-20%, 500V	402966	72982	8121-A100-W5R-102M		REF	
C4	CAP, CER, 0.001 UF +/-20%, 500V	402966	72982	8121-A100-W5R-102M		REF	
C5	CAP, CER, 39 PF +/-2%, 100V	512962	89536	512962	5		
C6	CAP, TA, 6.8 UF +/-20%, 35V	363713	56289	196D685X0035KA1	7		
C7	CAP, TA, 6.8 UF +/-20%, 35V	363713	56289	196D685X0035KA1		REF	
C8	CAP, CER, 0.001 UF +/-20%, 500V	402966	72982	8121-A100-W5R-102M		REF	
C9	CAP, CER, 39 PF +/-2%, 100V	512962	89536	512962		REF	
C10	CAP, CER, 0.001 UF +/-20%, 500V	402966	72982	8121-A100-W5R-102M		REF	
C11	CAP, VAR, 2.5 - 10 PF, 100VDC	460725	80031	CT5E2R510-A	1		
C12	CAP, TA, 6.8 UF +/-20%, 35V	363713	56289	196D685X0035KA1		REF	
C13	CAP, CER, 39 PF +/-2%, 100V	512962	89536	512962		REF	
C14	CAP, CER, 47 PF +/-2%, 100V	512368	89536	512368	1		
C15	CAP, VAR, 1.5 - 4 PF, 100VDC	529925	91293	S9410-OPC	1		
C16	CAP, CER, 82 PF +/-2%, 100V	512350	89536	512350	1		
C17	CAP, CER, 27 PF +/-2%, 100V	362749	89536	362749	2		
C18	CAP, CER, 56 PF +/-2%, 100V	512970	89536	512970	1		
C19	CAP, CER, 15 PF +/-2%, 100V	369074	89536	369074	1		
C20	CAP, CER 0.22 UF +/-20%, 50V	519157	51406	RPE111Z5U224M50V	6		
C21	CAP, CER 0.22 UF +/-20%, 50V	519157	51406	RPE111Z5U224M50V		REF	
C22	CAP, CER, 0.01 UF +/-20%, 100V	407361	72982	8121-A100-W5R-103M	2		
C23	CAP, CER 0.22 UF +/-20%, 50V	519157	51406	RPE111Z5U224M50V		REF	
C24	CAP, CER 0.22 UF +/-20%, 50V	519157	51406	RPE111Z5U224M50V		REF	
C25	CAP, CER 0.22 UF +/-20%, 50V	519157	51406	RPE111Z5U224M50V		REF	
C26	CAP, CER, 0.01 UF +/-20%, 100V	407361	72982	8121-A100-W5R-103M		REF	
C27	CAP, CER, 0.001 UF +/-20%, 500V	402966	72982	8121-A100-W5R-102M		REF	
C28	CAP, CER 0.22 UF +/-20%, 50V	519157	51406	RPE111Z5U224M50V		REF	
C29	CAP, CER, 39 PF +/-2%, 100V	512962	89536	512962		REF	
C30	CAP, CER, 6.8 PF +/-0.25PF, 100V	512327	89536	512327	1		
C31	CAP, CER, 18 PF +/-2%, 100V	512335	89536	512335	1		
C32	CAP, CER, 27 PF +/-2%, 100V	362749	89536	362749		REF	
C33	CAP, CER, 39 PF +/-2%, 100V	512962	89536	512962		REF	
C34	CAP, CER, 68 PF +/-2%, 100V	362756	89536	362756	1		
C35	CAP, CER, 0.001 UF +/-20%, 500V	402966	72982	8121-A100-W5R-102M		REF	
C36	CAP, CER, 0.001 UF +/-20%, 500V	402966	72982	8121-A100-W5R-102M		REF	
C37	CAP, TA, 6.8 UF +/-20%, 35V	363713	56289	196D685X0035KA1		REF	
C38	CAP, TA, 6.8 UF +/-20%, 35V	363713	56289	196D685X0035KA1		REF	
C39	CAP, TA, 6.8 UF +/-20%, 35V	363713	56289	196D685X0035KA1		REF	
C40	CAP, TA, 6.8 UF +/-20%, 35V	363713	56289	196D685X0035KA1		REF	
C42	CAP, TA, 10 UF +/-20%, 15V	193623	56289	196D106X0015A1	1		
C43	CAP, CER, 0.001 UF +/-20%, 500V	402966	72982	8121-A100-W5R-102M		REF	
C44	CAP, CER, 0.001 UF +/-20%, 500V	402966	72982	8121-A100-W5R-102M		REF	
C45	CAP, CER, 100 PF +/-2%, 100V	512848	89536	512848	2		
C46	CAP, CER, 100 PF +/-2%, 100V	512848	89536	512848		REF	
C47	CAP, CER, 33 PF +/-2%, 100V	513226	89536	513226	1		
C48	CAP, CER, 10000 PF +/-20%, 100V	407361	72982	8121-A100-W5R-103M	1		

Table 6-25. A4A9 Hetrodyne Converter PCB Assembly (cont)

REF DES	DESCRIPTION	FLUKE STOCK NO.	MFG SPLY CODE	MFG PART NO.	TOT QTY	REC QTY	NO T E
CR1	DIODE, ZENER	454595	12969	UZ8706	3	1	
CR2	DIODE, SMALL SIGNAL	402776	28480	HP3379	1	1	
CR3	DIODE, ZENER	454595	12969	UZ8706	REF		
CR4	DIODE, ZENER	454595	12969	UZ8706	REF		
CR5	DIODE, ZENER, 3.9V +/-10%	113316	04713	1N748	1	1	
CR6	DIODE, HI-SPEED SWITCHING	203323	04713	1N4448	2	1	
CR7	DIODE, HI-SPEED SWITCHING	203323	04713	1N4448	REF		
E	TERMINATION AREAS						
L1	INDUCTOR, COIL, 6-TURN	320911	89536	320911	5		
L2	INDUCTOR, 0.47 UH +/-10%, 1060 MA	320929	24759	MRO.47	1		
L3	INDUCTOR, 0.10 UH	257154	24759	MR-0.10	4		
L4	INDUCTOR, 0.15 UH, 2600 MA	256297	24759	MRO.15	1		
L5	CHOKER, RF, 0.082 UH +/-10%	256289	89536	256289	1		
L6	INDUCTOR, 0.10 UH	257154	24759	MR-0.10	REF		
L7	INDUCTOR, 0.12 UH +/-10%, 2860 MA	272617	24759	MRO.12	1		
L8	INDUCTOR, 0.10 UH	257154	24759	MR-0.10	REF		
L9	INDUCTOR, COIL, 6-TURN	320911	89536	320911	REF		
L10	INDUCTOR, COIL, 6-TURN	320911	89536	320911	REF		
L11	INDUCTOR, COIL, 6-TURN	320911	89536	320911	REF		
L12	INDUCTOR, 0.10 UH	257154	24759	MR-0.10	REF		
L13	INDUCTOR, COIL, 6-TURN	320911	89536	320911	REF		
MP1	INSERTS, BOARD (NOT SHOWN)	376418	89536	376418	2		
MP2	LABEL, STATIC WARNING (NOT SHOWN)	960530	89536	960530	1		
MP3	SHIELD (NOT SHOWN)	463430	89536	463430	1		
MP4	SHIELD (NOT SHOWN)	463455	89536	463455	1		
MP5	SOCKET, TRANSISTOR (NOT SHOWN)	285262	71785	1-33-23-92-045	1		
P1	CONNECTOR, RECEPTACLE	544056	00779	50871-1	2		
Q1	TRANSISTOR, D-MOS	507905	18324	SD305EE	2	1	
Q2	TRANSISTOR, D-MOS	507905	18324	SD305EE	REF		
Q3	TRANSISTOR, SI, PNP	352369	12040	2N4403	1	1	
Q4	TRANSISTOR, SI, NPN	454231	04713	BFR90	1	1	
Q5	TRANSISTOR, SI, NPN, HIGH FREQUENCY	535013	04713	BFR91	1	1	
R1	RES, DEP. CAR, 27K +/-5%, 1/4W	441501	80031	CR251-4-5P27K	1		
R2	RES, DEP. CAR, 20K +/-5%, 1/4W	441477	80031	CR251-4-5P20K	1		
R3	RES, DEP. CAR, 10K +/-5%, 1/4W	148106	80031	CR251-4-5P10K	5		
R4	RES, COMP, 62 +/-10%, 1/8W	512731	01121	BB6205	1		
R5	RES, DEP. CAR, 33K +/-5%, 1/4W	348888	80031	CR251-4-5P33K	2		
R6	RES, VAR, 10K +/-10%, 1/2W	309674	75378	360T-103A	2		
R7	RES, DEP. CAR, 10K +/-5%, 1/4W	148106	80031	CR251-4-5P10K	REF		
R8	RES, DEP. CAR, 1K +/-5%, 1/4W	343426	80031	CR251-4-5P1K	1		
R9	RES, DEP. CAR, 3K +/-5%, 1/4W	441527	80031	CR251-4-5P3K	2		
R10	RES, DEP. CAR, 10 +/-5%, 1/4W	340075	80031	CR251-4-5P10E	2		
R11	RES, DEP. CAR, 33K +/-5%, 1/4W	348888	80031	CR251-4-5P33K	REF		
R12	RES, DEP. CAR, 510 +/-5%, 1/4W	441600	80031	CR251-4-5P510E	1		
R13	RES, DEP. CAR, 82K +/-5%, 1/4W	348912	80031	CR251-4-5P82K	1		
R14	RES, COMP, 4.7M +/-5%, 1/4W	220046	01121	CB4755	1		
R15	RES, DEP. CAR, 10 +/-5%, 1/4W	340075	80031	CR251-4-5P10E	REF		
R16	RES, DEP. CAR, 390 +/-5%, 1/4W	147975	80031	CR251-4-5P390E	1		
R17	RES, COMP, 10 +/-10%, 1/8W	321125	01121	BB1001	2		
R18	RES, COMP, 120 +/-5%, 1/8W	513978	01121	BB1215	1		

Table 6-25. A4A9 Hetrodyne Converter PCB Assembly (cont)

REF DES	DESCRIPTION	FLUKE STOCK NO.	MFG SPLY CODE	MFG PART NO.	TOT QTY	REC QTY	NOTE
R19	RES, COMP, 10 +/-10%, 1/8W	321125	01121	BB1001	REF		1
R20	RES, DEP. CAR, 3.6K +/-5%, 1/4W	442343	80031	CR251-4-5P3K6	2		
R23	RES, COMP, 100 +/-10%, 1/8W	261826	01121	BB1011	2		
R24	RES, DEP. CAR, 200 +/-5%, 1/4W	441451	80031	CR251-4-5P200E	2		
R25	RES, DEP. CAR, 240 +/-5%, 1/4W	376624	80031	CR251-4-5P240E	2		
R26	RES, MTL. FILM, 4.12K +/-1%, 1/8W	235341	91637	CMF554121F	1		
R27	RES, COMP, 27 +/-10%, 1/8W	266254	01121	BB2705	4		
R28	RES, COMP, 27 +/-10%, 1/8W	266254	01121	BB2705	REF		
R29	RES, DEP. CAR, 10K +/-5%, 1/4W	148106	80031	CR251-4-5P10K	REF		
R30	RES, DEP. CAR, 3K +/-5%, 1/4W	441527	80031	CR251-4-5P3K	REF		
R31	RES, MTL. FILM, 2.37K +/-1%, 1/8W	293720	91637	CMF552371F	2		
R32	RES, MTL. FILM, 487 +/-1%, 1/2W	150797	91637	CMF654870F	1		
R33	RES, MTL. FILM, 205 +/-1%, 1/2W	513960	91637	CMF652050F	1		
R34	RES, DEP. CAR, 240 +/-5%, 1/4W	376624	80031	CR251-4-5P240E	REF		
R35	RES, MTL. FILM, 4.02K +/-1%, 1/8W	235325	91637	CMF554021F	1		
R36	RES, DEP. CAR, 200 +/-5%, 1/4W	441451	80031	CR251-4-5P200E	REF		
R37	RES, COMP, 27 +/-10%, 1/8W	266254	01121	BB2705	REF		
R38	RES, COMP, 27 +/-10%, 1/8W	266254	01121	BB2705	REF		
R39	RES, MTL. FILM, 2.37K +/-1%, 1/8W	293720	91637	CMF552371F	REF		
R40	RES, DEP. CAR, 51 +/-5%, 1/4W	414540	80031	CR251-4-5P51E	1		
R41	RES, MTL. FILM, 210, +/-1%, 1/2W	513952	91637	CMF652100F	1		
R42	RES, VAR, 10K +/-10%, 1/2W	309674	75378	360T-103A	REF		
R43	RES, DEP. CAR, 10K +/-5%, 1/4W	148106	80031	CR251-4-5P10K	REF		
R44	RES, DEP. CAR, 3.6K +/-5%, 1/4W	442343	80031	CR251-4-5P3K6	REF		
R45	RES, DEP. CAR, 560K +/-5%, 1/4W	342642	80031	CR251-4-5P560K	1		
R46	RES, COMP, 100 +/-10%, 1/8W	261826	01121	BB1011	REF		
R48	RES, DEP. CAR, 10K +/-5%, 1/4W	148106	80031	CR251-4-5P10K	REF		
TP1	CONNECTOR, TEST POINT	512889	00779	62395-1	5		
TP2	CONNECTOR, TEST POINT	512889	00779	62395-1	REF		
TP3	CONNECTOR, TEST POINT	512889	00779	62395-1	REF		
TP4	CONNECTOR, SOCKET	352450	98291	51-051-0000	1		
TP5	CONNECTOR, TEST POINT	512889	00779	62395-1	REF		
TP6	CONNECTOR, TEST POINT	512889	00779	62395-1	REF		
U1	IC, LIN, OP AMP	381889	12040	LM201AH	1		1
U2	IC, MIXER, DOUBLE BALANCED	529917	15542	TAK-1WH	1		1
W44	CABLE ASSEMBLY	526715	89536	526715	2		
W45	CABLE ASSEMBLY	526723	89536	526723	1		
W46	CABLE ASSEMBLY	526715	89536	526715	REF		
1	R19 RESISTOR IS ALSO USED FOR TESTING ALIGNMENT (WITH TP4). USE IN THE DOTTED POSITION FOR THIS ADJUSTMENT AS SHOWN IN FIGURE 5-25 ALSO SEE A4A9 ADJUSTMENT PROCEDURE IN THE TEXT.						

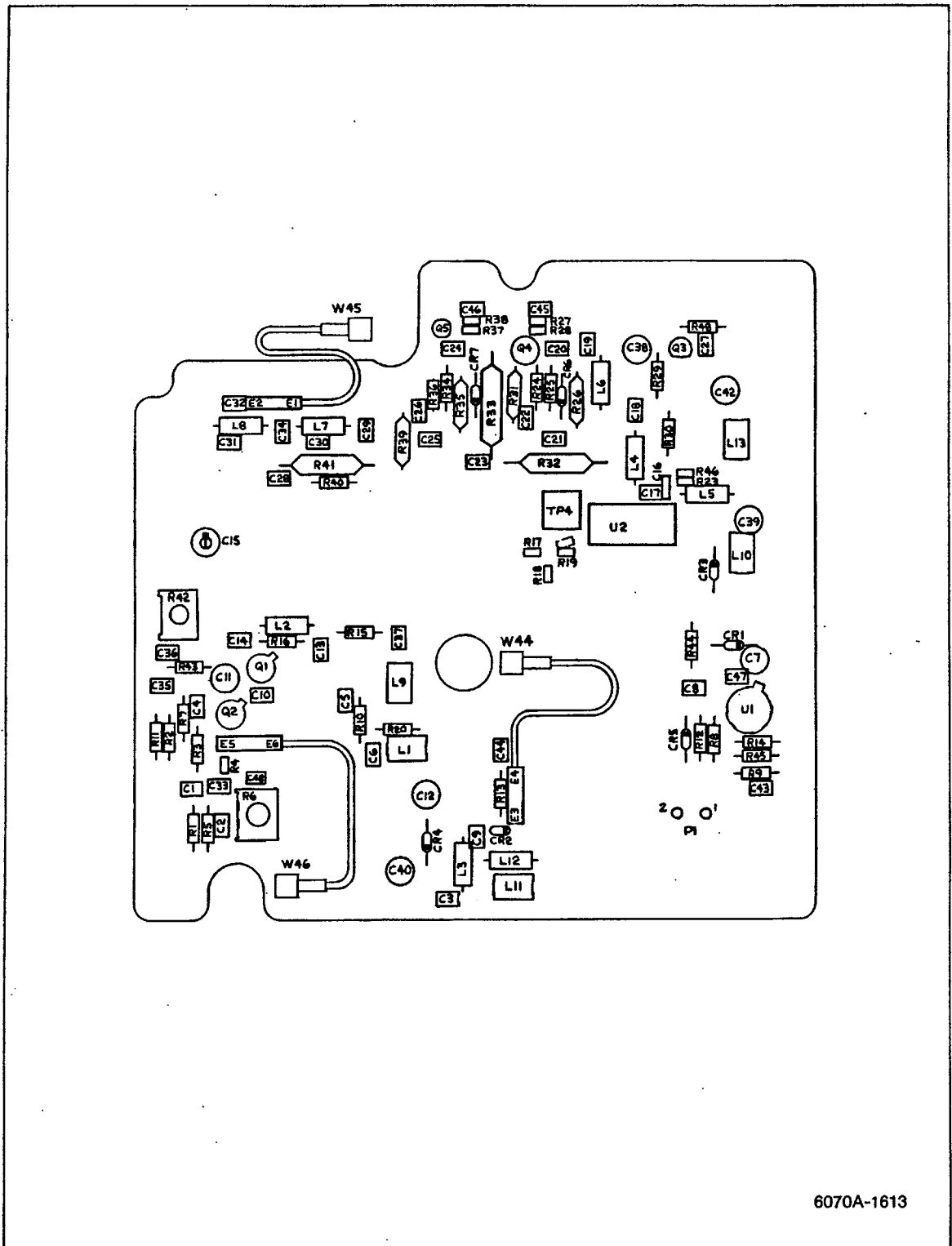


Figure 6-25. A4A9 Hetrodyne Converter PCB Assembly

6070A-1613

Table 6-26. A4A10 Modulator Distribution PCB Assembly

REF DES	DESCRIPTION	FLUKE STOCK NO.	MFG SPLY CODE	MFG PART NO.	TOT QTY	REC QTY	NOTE
A4A10②	MOD. DISTRIBUTION PCB ASSEMBLY FIGURE 6-26 (6070A-4014T)	463570	89536	463570			REF
C1	CAP, TA, 47 UF +/-20%, 20V	348516	56289	196D476X0020KE4		2	
C2	CAP, TA, 47 UF +/-20%, 20V	348516	56289	196D476X0020KE4			REF
C3	CAP, CER, 0.22 UF +/-20%, 50V	309849	71590	CW30C224K		11	
C4	CAP, CER, 0.22 UF +/-20%, 50V	309849	71590	CW30C224K			REF
C5	CAP, PLASTIC, 0.027 UF +/-10%, 250V	267120	73445	C280AE/A27K		1	
C6	CAP, CER, 0.22 UF +/-20%, 50V	309849	71590	CW30C224K			REF
C7	CAP, CER, 150 PF +/-5%, 100V	512988	89536	512988		2	
C8	CAP, MYLAR, 0.01 UF +/-10%, 250V	325548	73445	C280MAE/A10K		1	
C9	CAP, CER, 750 PF +/-5%, 50V	528521	89536	528521		1	
C10	CAP, CER, 0.22 UF +/-20%, 50V	309849	71590	CW30C224K			REF
C11	CAP, TA, 10 UF +/-20%, 15V	193623	56289	196D106X0015A1		12	
C12	CAP, TA, 10 UF +/-20%, 15V	193623	56289	196D106X0015A1			REF
C13	CAP, VAR, 4.5 - 50 PF 250V	321117	73899	DVJ305A		1	
C15	CAP, CER, 22 PF +/-2%, 100V	512871	89536	512871		3	
C16	CAP, CER, 10 PF +/-2%, 100V	512343	89536	512343		2	
C17	CAP, CER, 10 PF +/-2%, 100V	512343	89536	512343			REF
C18	CAP, CER, 0.22 UF +/-20%, 50V	309849	71590	CW30C224K			REF
C19	CAP, CER, 22 PF +/-2%, 100V	512871	89536	512871			REF
C20	CAP, CER, 0.22 UF +/-20%, 50V	309849	71590	CW30C224K			REF
C21	CAP, CER, 0.22 UF +/-20%, 50V	309849	71590	CW30C224K			REF
C22	CAP, TA, 10 UF +/-20%, 15V	193623	56289	196D106X0015A1			REF
C23	CAP, CER, 12 PF +/-2%, 100V	376871	89536	376871		1	
C24	CAP, CER, 150 PF +/-5%, 100V	512988	89536	512988			REF
C25	CAP, CER, 22 PF +/-2%, 100V	512871	89536	512871			REF
C26	CAP, CER, 0.22 UF +/-20%, 50V	309849	71590	CW30C224K			REF
C27	CAP, CER, 0.22 UF +/-20%, 50V	309849	71590	CW30C224K			REF
C28	CAP, CER, 0.22 UF +/-20%, 50V	309849	71590	CW30C224K			REF
C29	CAP, CER, 0.22 UF +/-20%, 50V	309849	71590	CW30C224K			REF
C30	CAP, CER, 0.22 UF +/-20%, 50V	309849	71590	CW30C224K			REF
C31	CAP, CER, 2.2 PF +/-2%, 100V	362731	89536	362731		1	
C32	CAP, TA, 10 UF +/-20%, 15V	193623	56289	196D106X0015A1			REF
C33	CAP, TA, 10 UF +/-20%, 15V	193623	56289	196D106X0015A1			REF
C34	CAP, TA, 10 UF +/-20%, 15V	193623	56289	196D106X0015A1			REF
C35	CAP, TA, 10 UF +/-20%, 15V	193623	56289	196D106X0015A1			REF
C36	CAP, TA, 10 UF +/-20%, 15V	193623	56289	196D106X0015A1			REF
C37	CAP, TA, 10 UF +/-20%, 15V	193623	56289	196D106X0015A1			REF
C38	CAP, TA, 10 UF +/-20%, 15V	193623	56289	196D106X0015A1			REF
C39	CAP, TA, 10 UF +/-20%, 15V	193623	56289	196D106X0015A1			REF
C40	CAP, TA, 10 UF +/-20%, 15V	193623	56289	196D106X0015A1			REF
CR2	DIODE, SMALL SIGNAL	313247	28484	HP5082-6264		4	1
CR3	DIODE, SMALL SIGNAL	313247	28484	HP5082-6264			REF
CR4	DIODE, SMALL SIGNAL	313247	28484	HP5082-6264			REF
CR5	DIODE, HI-SPEED SWITCHING	203323	07910	1N4448		3	1
CR6	DIODE, HI-SPEED SWITCHING	203323	07910	1N4448			REF
CR7	DIODE, HI-SPEED SWITCHING	203323	07910	1N4448			REF
CR8	DIODE, ZENER	357848	04713	SZG20118		1	1
CR10	DIODE, SMALL SIGNAL	313247	28484	HP5082-6264			REF

Table 6-26. A4A10 Modulator Distribution PCB Assembly (cont)

REF DES	DESCRIPTION	FLUKE STOCK NO.	MFG SPLY CODE	MFG PART NO.	TOT QTY	REC QTY	NOTE
E1	BUSS WIRE, #22	115469	89536	115469		AR	
E2	BUSS WIRE, #22	115469	89536	115469		REF	
J1	SOCKET, IC, 14-PIN	276527	91507	314-AG39D	1		
J2	CONNECTOR	530261	00779	87334-4	1		
J7	CONNECTOR, POST	267500	00779	86144-2	27		
J8	CONNECTOR, POST	267500	00779	86144-2		REF	
J9	CONNECTOR, 6-PIN	512178	27264	09-80-1063	1		
J10	CONNECTOR, RF, SMB	512095	16733	702033	3		
J11	CONNECTOR, RF, SMB	512095	16733	702033		REF	
J12	CONNECTOR, RF, SMB	512095	16733	702033		REF	
K1	RELAY, SPST	461434	15636	R7254-1	3		
K2	RELAY, SPST	461434	15636	R7254-1		REF	
K3	RELAY, SPST	461434	15636	R7254-1		REF	
L1	INDUCTOR, COIL, 6-TURN	320911	89536	320911	5		
L2	INDUCTOR, COIL, 6-TURN	320911	89536	320911		REF	
L3	INDUCTOR, COIL, 6-TURN	320911	89536	320911		REF	
L4	INDUCTOR, COIL, 6-TURN	320911	89536	320911		REF	
L5	INDUCTOR, COIL, 6-TURN	320911	89536	320911		REF	
P1	COMPONENT LEAD, SPRING TYPE	544056	00779	50871-1	26		
P2	COMPONENT LEAD, SPRING TYPE	544056	00779	50871-1		REF	
P3	COMPONENT LEAD, SPRING TYPE	544056	00779	50871-1		REF	
P4	COMPONENT LEAD, SPRING TYPE	544056	00779	50871-1		REF	
P5	COMPONENT LEAD, SPRING TYPE	544056	00779	50871-1		REF	
Q1	TRANSISTOR, SI, NPN	150359	95303	2N3053	1		1
Q3	TRANSISTOR, J-FET	413690	21845	F5488	2		1
Q4⊙	TRANSISTOR, FIELD EFFECT	477729	18324	SD213EE	6		2
Q5⊙	TRANSISTOR, FIELD EFFECT	477729	18324	SD213EE		REF	
Q6⊙	TRANSISTOR, FIELD EFFECT	477729	18324	SD213EE		REF	
Q7⊙	TRANSISTOR, FIELD EFFECT	477729	18324	SD213EE		REF	
Q8⊙	TRANSISTOR, FIELD EFFECT	477729	18324	SD213EE		REF	
Q10⊙	TRANSISTOR, FIELD EFFECT	477729	18324	SD213EE		REF	
Q11	TRANSISTOR, J-FET	413690	21845	F5488		REF	
R1	RES, DEP. CAR, 1K +/-5%, 1/4W	343426	80031	CR251-4-5P1K	2		
R2	RES, DEP. CAR, 1K +/-5%, 1/4W	343426	80031	CR251-4-5P1K		REF	
R3	RES, DEP. CAR, 1.5K +/-5%, 1/4W	343418	80031	CR251-4-5P1K5	2		
R4	RES, DEP. CAR, 3.3K +/-5%, 1/4W	348813	80031	CR251-4-5P3K3	2		
R5	RES, DEP. CAR, 10K +/-5%, 1/4W	348839	80031	CR251-4-5P10K	4		
R6	RES, DEP. CAR, 10K +/-5%, 1/4W	348839	80031	CR251-4-5P10K		REF	
R8	RES, MTL. FILM, 4.64K +/-1%, 1/8W	296020	91637	CMF554641F	1		
R9	RES, MTL. FILM, 1.82K +/-1%, 1/8W	293670	91637	CMF551821F	1		
R10	RES, MTL. FILM, 4.32K +/-1%, 1/8W	294819	91637	CMF554321F	1		
R11	RES, MTL. FILM, 1.65K +/-1%, 1/8W	293662	91637	CMF551631	1		
R12	RES, VAR, 500 +/-10%, 1/2W	325613	89536	325613	3		
R13	RES, VAR, 1K +/-10%, 1/2W	275750	11236	360T102A	2		
R14	RES, VAR, 500 +/-10%, 1/2W	325613	89536	325613		REF	
R15	RES, MTL. FILM, 845 +/-1%, 1/8W	344317	91637	CMF558450F	1		
R16	RES, MTL. FILM, 412K +/-1%, 1/8W	348409	91637	CMF554123F	1		
R17	RES, MTL. FILM, 10.0K +/-1%, 1/8W	168260	91637	CMF551002F	5		
R18	RES, MTL. FILM, 10.0K +/-1%, 1/8W	168260	91637	CMF551002F		REF	
R19	RES, MTL. FILM, 10.0K +/-1%, 1/8W	168260	91637	CMF551002F		REF	

Table 6-26. A4A10 Modulator Distribution PCB Assembly (cont)

REF DES	DESCRIPTION	FLUKE STOCK NO.	MFG SPLY CODE	MFG PART NO.	TOT QTY	REC QTY	N O T E
R20	RES, MTL. FILM, 634 +/-1%, 1/8W	223560	91637	CMF556340F	1		
R21	RES, MTL. FILM, 1.15K +/-1%, 1/8W	293597	91637	CMF551151F	1		
R22	RES, VAR, 500 +/-10%, 1/2W	325613	89536	325613	REF		
R23	RES, DEP. CAR, 24K +/-5%, 1/4W	442384	80031	CR251-4-5P24K	2		
R24	RES, DEP. CAR, 24K +/-5%, 1/4W	442384	80031	CR251-4-5P24K	REF		
R25	RES, COMP, 4.7K +/-5%, 1/4W	348821	01121	CB4725	1		
R26	RES, DEP. CAR, 10K +/-5%, 1/4W	348839	80031	CR251-4-5P10K	REF		
R27	RES, MTL. FILM, 1.69K +/-1%, 1/8W	321414	91637	CMF551691F	1		
R28	RES, DEP. CAR, 100 +/-5%, 1/4W	348771	80031	CR251-4-5P100E	2		
R29	RES, DEP. CAR, 10K +/-5%, 1/4W	348839	80031	CR251-4-5P10K	REF		
R30	RES, MTL. FILM, 10.0K +/-1%, 1/8W	168260	91637	CMF551002F	REF		
R31	RES, VAR, 10K +/-10%, 1/2W	485458	32997	3299W-CR2-103	2		
R32	RES, MTL. FILM, 10.0K +/-1%, 1/8W	168260	91637	CMF551002F	REF		
R33	RES, VAR, 10K +/-10%, 1/2W	485458	32997	3299W-CR2-103	REF		
R34	RES, MTL. FILM, 15K +/-1%, 1/8W	285296	91637	CMF551502F	1		
R35	RES, MTL. FILM, 6.34K +/-1%, 1/8W	267344	91637	CMF556341F	1		
R36	RES, DEP. CAR, 3.3K +/-5%, 1/4W	348813	80031	CR251-4-5P3K3	REF		
R37	RES, DEP. CAR, 1.5K +/-5%, 1/4W	343418	80031	CR251-4-5P1K5	REF		
R38	RES, VAR, 25K +/-10%, 1/2W	494591	11236	360T-253A	2		
R40	RES, DEP. CAR, 22K +/-5%, 1/4W	348870	80031	CR251-4-5P22K	3		
R41	RES, VAR, 100K +/-10%, 1/2W	369520	11236	360T-104A	4		
R42	RES, DEP. CAR, 56K +/-5%, 1/4W	441626	80031	CR251-4-5P56K	2		
R43	RES, VAR, 10K +/-10%, 1/2W	309674	75378	360T-103A	2		
R44	RES, VAR, 200 +/-10%, 1/2W	275743	89536	275743	1		
R45	RES, DEP. CAR, 22K +/-5%, 1/4W	348870	80031	CR251-4-5P22K	REF		
R46	RES, VAR, 100K +/-10%, 1/2W	369520	11236	360T-104A	REF		
R47	RES, MTL. FILM, 301 +/-1%, 1/8W	267740	91637	CMF553010F	1		
R48	RES, VAR, 1K +/-10%, 1/2W	275750	11236	360T102A	REF		
R49	RES, DEP. CAR, 56K +/-5%, 1/4W	441626	80031	CR251-4-5P56K	REF		
R50	RES, VAR, 10K +/-10%, 1/2W	309674	75378	360T-103A	REF		
R51	RES, MTL. FILM, 12.4K +/-1%, 1/8W	261644	91637	CMF551242F	1		
R52	RES, MTL. FILM, 4.99K +/-1%, 1/8W	168252	91637	CMF554991F	1		
R53	RES, DEP. CAR, 22K +/-5%, 1/4W	348870	80031	CR251-4-5P22K	REF		
R54	RES, VAR, 100K +/-10%, 1/2W	369520	11236	360T-104A	REF		
R55	RES, VAR, 1K +/-10%, 1/2W	393728	32997	3299W-CR2-102	1		
R56	RES, MTL. FILM, 1K +/-1%, 1/8W	168229	91637	CMF551001F	1		
R58	RES, VAR, 25K +/-10%, 1/2W	494591	11236	360T-253A	REF		
R59	RES, DEP. CAR, 100 +/-5%, 1/4W	348771	80031	CR251-4-5P100E	REF		
R60	RES, COMP, 10M +/-5%, 1/4W	194944	01121	CB1065	1		
R61	RES, VAR, 100K +/-10%, 1/2W	369520	11236	360T-104A	REF		
TP1-TP12	CONNECTOR, TEST POINT	512889	00779	62395-1	12		
U1	IC, LINEAR, D-MOS FET QUAD ANALOG	507228	18324	SD50021J	2	1	
U2	IC, LINEAR, QUAD COMPARATOR	387233	12040	LM339N	3	1	
U3	RESISTOR NETWORK	412924	89536	412924	2	1	
U4	IC, 8-BIT ADDRESSABLE LATCH	419242	01295	SN74LS259N	10	2	
U5	IC, 8-BIT ADDRESSABLE LATCH	419242	01295	SN74LS259N	REF		
U6	IC, TTL, HEX INVERTER	393058	01295	SN74LS04N	1	1	
U7	IC, 8-BIT ADDRESSABLE LATCH	419242	01295	SN74LS259N	REF		
U8	IC, 8-BIT ADDRESSABLE LATCH	419242	01295	SN74LS259N	REF		
U9	IC, LO-PWR, SCHOTTKY TRI-ST OCTAL, BFR.	429902	12040	DM81LS95N	3	1	

Table 6-28. A4A10 Modulator Distribution PCB Assembly (cont)

REF DES	DESCRIPTION	FLUKE STOCK NO.	MFG SPLY CODE	MFG PART NO.	TOT QTY	REC QTY	NOTE
U10	IC, TTL, HEX, INVERTER	407593	01295	SN7406N	1	1	
U11	IC, LO-PWR, SCHOTTKY TRI-ST OCTAL, BFR.	429902	12040	DM81LS95N	REF		
U12⊕	IC, C-MOS, 10-BIT D/A CONVERTER	507558	24355	AD7533KN	1	1	
U14	IC, 8-BIT ADDRESSABLE LATCH	419242	01295	SN74LS259N	REF		
U15	IC, 8-BIT ADDRESSABLE LATCH	419242	01295	SN74LS259N	REF		
U16	IC, 8-BIT ADDRESSABLE LATCH	419242	01295	SN74LS259N	REF		
U17	IC, LO-PWR, SCHOTTKY TRI-ST OCTAL, BFR.	429902	12040	DM81LS95N	REF		
U18	IC, LINEAR, OP-AMP	495051	18324	NE5534N	2	1	
U19	IC, LINEAR, OP-AMP, J-FET INPUT	483438	89536	483438	1	1	
U20	IC, 8-BIT ADDRESSABLE LATCH	419242	01295	SN74LS259N	REF		
U21	IC, 8-BIT ADDRESSABLE LATCH	419242	01295	SN74LS259N	REF		
U22	IC, TTL, LO-PWR SCHOTTKY HEX/QUADRUPLE	393215	01295	SN74LS175N	1	1	
U23	IC, LINEAR, OP-AMP	495051	18324	NE5534N	REF		
U24	RESISTOR NETWORK	501841	89536	501841	1	1	
U25⊕	IC, C-MOS, 10-BIT D/A CONVERTER	507566	24355	AD7533LN	2	1	
U26	IC, OP-AMP, LO-NOISE	477745	18324	NE5534AN	1	1	
U27⊕	IC, C-MOS, 10-BIT D/A CONVERTER	507566	24355	AD7533LN	REF		
U28	IC, LINEAR, OP-AMP	472779	12040	LF386N	2	1	
U29⊕	IC, C-MOS, BIT MULTIPLY DA CONVERTERS	472753	24355	AD7531KN	1	1	
U30	IC, LINEAR, OP-AMP	472779	12040	LF386N	REF		
U33⊕	IC, LINEAR, D-MOS FET QUAD ANALOG	507228	18324	SD50021J	REF		
U34	RESISTOR NETWORK	412924	89536	412924	REF		
U35	IC, LINEAR, QUAD COMPARATOR	387233	12040	LM339N	REF		
U36	IC, TTL, QUAD, 2-INPUT, POS NAND GATE	393033	01295	SN74LS00N	1	1	
U37	IC, LINEAR, QUAD COMPARATOR	387233	12040	LM339N	REF		
U38	IC, 8-BIT ADDRESSABLE LATCH	419242	01295	SN74LS259N	REF		
U39	IC, TTL, LO-PWR, 3-8 LINE DECODER	407585	01295	SN74LS138N	2	1	
U40	IC, TTL, LO-PWR, 3-8 LINE DECODER	407585	01295	SN74LS138N	REF		
U41	IC, HYBRID	481630	89536	481630	1	1	
XQ1	SPACER, TRANSISTOR	152207	07047	10123-DAP	1		
XU1	SOCKET, IC, 16-PIN	276535	91506	316-AG39D	19		
XU2	SOCKET, IC, 14-PIN	276527	91507	314-AG39D	7		
XU4	SOCKET, IC, 16-PIN	276535	91506	316-AG39D	REF		
XU5	SOCKET, IC, 16-PIN	276535	91506	316-AG39D	REF		
XU6	SOCKET, IC, 14-PIN	276527	91507	314-AG39D	REF		
XU7	SOCKET, IC, 16-PIN	276535	91506	316-AG39D	REF		
XU8	SOCKET, IC, 16-PIN	276535	91506	316-AG39D	REF		
XU9	SOCKET, IC, 20-PIN	454421	01295	C932002	3		
XU10	SOCKET, IC, 14-PIN	276527	91507	314-AG39D	REF		
XU11	SOCKET, IC, 20-PIN	454421	01295	C932002	REF		
XU12	SOCKET, IC, 16-PIN	276535	91506	316-AG39D	REF		
XU14	SOCKET, IC, 16-PIN	276535	91506	316-AG39D	REF		
XU15	SOCKET, IC, 16-PIN	276535	91506	316-AG39D	REF		
XU16	SOCKET, IC, 16-PIN	276535	91506	316-AG39D	REF		
XU17	SOCKET, IC, 20-PIN	454421	01295	C932002	REF		
XU18	SOCKET, IC, 8-PIN	478016	91506	308-AG39D	5		
XU19	SOCKET, IC, 14-PIN	276527	91507	314-AG39D	REF		
XU20	SOCKET, IC, 16-PIN	276535	91506	316-AG39D	REF		
XU21	SOCKET, IC, 16-PIN	276535	91506	316-AG39D	REF		
XU22	SOCKET, IC, 16-PIN	276535	91506	316-AG39D	REF		

Table 6-26. A4A10 Modulator Distribution PCB Assembly (cont)

REF DES	DESCRIPTION	FLUKE STOCK NO.	MFG SPLY CODE	MFG PART NO.	TOT QTY	REC QTY	N O T E
XU23	SOCKET, IC, 8-PIN	478016	91506	308-AG39D			REF
XU24	SOCKET, IC, 16-PIN	276535	91506	316-AG39D			REF
XU25	SOCKET, IC, 16-PIN	276535	91506	316-AG39D			REF
XU26	SOCKET, IC, 8-PIN	478016	91506	308-AG39D			REF
XU27	SOCKET, IC, 16-PIN	276535	91506	316-AG39D			REF
XU28	SOCKET, IC, 8-PIN	478016	91506	308-AG39D			REF
XU29	SOCKET, IC, 18-PIN	418228	91506	318-AG39D		1	
XU30	SOCKET, IC, 8-PIN	478016	91506	308-AG39D			REF
XU35	SOCKET, IC, 14-PIN	276527	91507	314-AG39D			REF
XU36	SOCKET, IC, 14-PIN	276527	91507	314-AG39D			REF
XU37	SOCKET, IC, 14-PIN	276527	91507	314-AG39D			REF
XU38	SOCKET, IC, 16-PIN	276535	91506	316-AG39D			REF
XU39	SOCKET, IC, 16-PIN	276535	91506	316-AG39D			REF
XU40	SOCKET, IC, 16-PIN	276535	91506	316-AG39D			REF

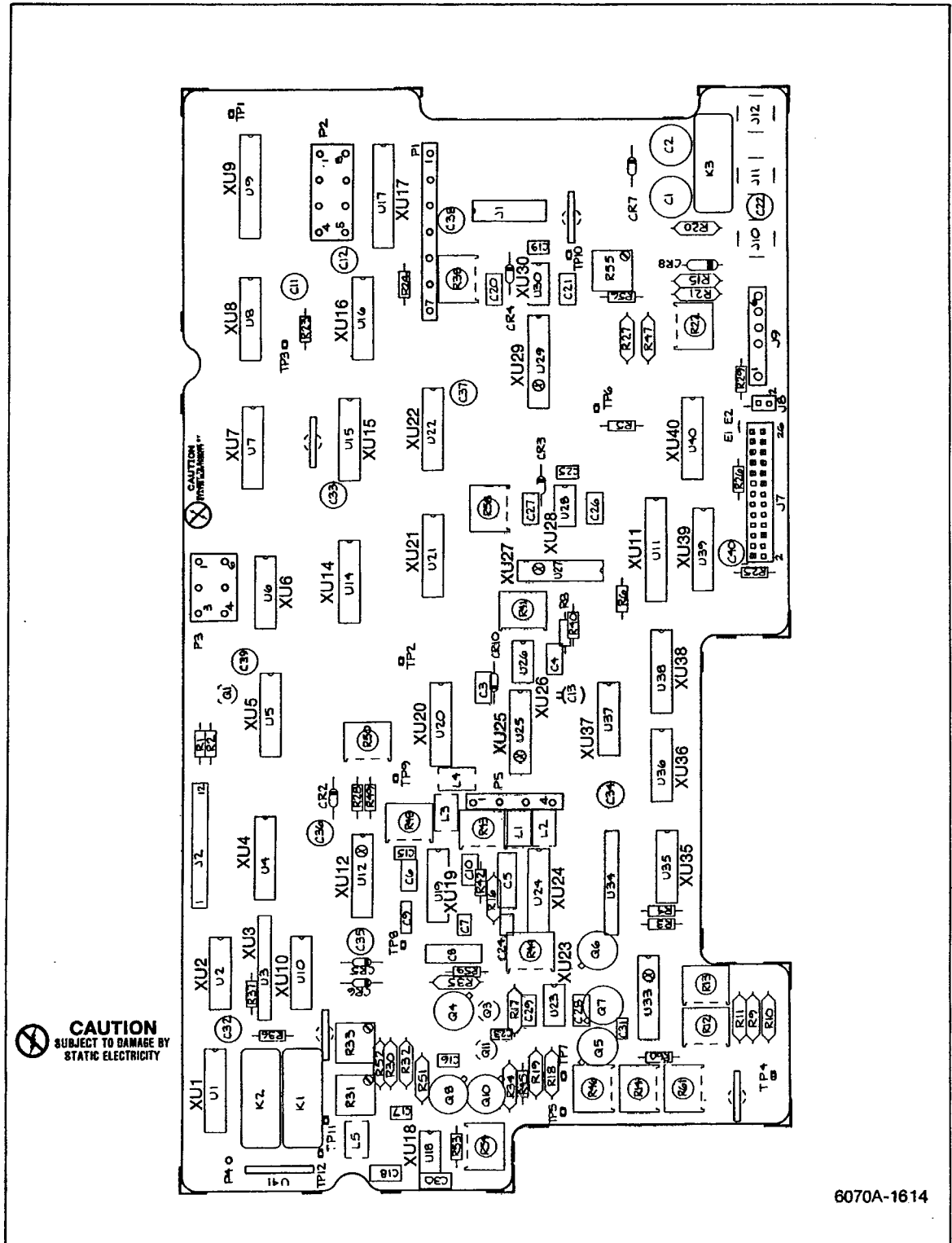


Figure 6-28. A4A10 Modulator Distribution PCB Assembly

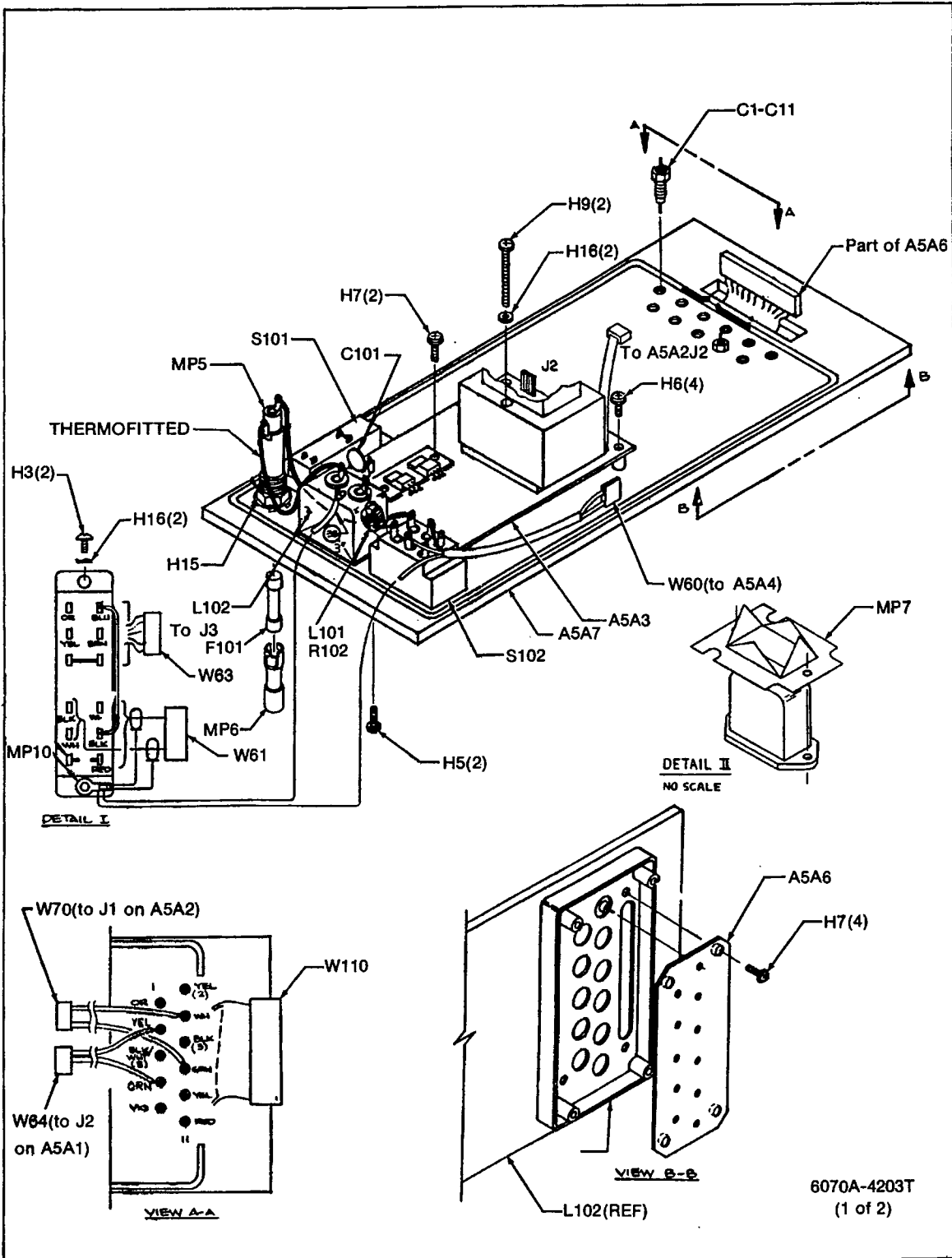
6070A-1614

Table 6-27. A5 Power Supply Assembly

REF DES	DESCRIPTION	FLUKE STOCK NO.	MFG SPLY CODE	MFG PART NO.	TOT QTY	REC QTY	NOTE
A5②	POWER SUPPLY ASSEMBLY, REAR PANEL FIGURE 6-27 (6070A-4203T)					REF	1
A5A1	POWER SUPPLY PCB ASSEMBLY	462416	89536	462416		1	
A5A2②	P/S REGULATOR PCB ASSEMBLY	462408	89536	462408		1	
A5A3	AUXILIARY TRANSFORMER PCB ASSEMBLY	489005	89536	489005		1	
A5A4	INPUT RECTIFIER PCB ASSEMBLY	489013	89536	489013		1	
A5A5	SWITCHING TRANSISTORS ASSEMBLY	521385	89536	521385		1	
A5A6	POWER SUPPLY CAPACITOR PCB ASSEMBLY	520957	89536	520957		1	
A5A7	HEATSINK PLATE ASSEMBLY					1	
	(NO PARTS LIST BREAKDOWN LISTED)						
A6	POWER SUPPLY ASSEMBLY, REAR PANEL CONTINUED			SEE A6 SECTION, FOLLOWING A5A6.			
C1	CAP, FEED THRU, 2500 PF GMV, 500V	248286	72982	2499-003X5U-252AA		11	
C2	CAP, FEED THRU, 2500 PF GMV, 500V	248286	72982	2499-003X5U-252AA		REF	
C3	CAP, FEED THRU, 2500 PF GMV, 500V	248286	72982	2499-003X5U-252AA		REF	
C4	CAP, FEED THRU, 2500 PF GMV, 500V	248286	72982	2499-003X5U-252AA		REF	
C5	CAP, FEED THRU, 2500 PF GMV, 500V	248286	72982	2499-003X5U-252AA		REF	
C6	CAP, FEED THRU, 2500 PF GMV, 500V	248286	72982	2499-003X5U-252AA		REF	
C7	CAP, FEED THRU, 2500 PF GMV, 500V	248286	72982	2499-003X5U-252AA		REF	
C8	CAP, FEED THRU, 2500 PF GMV, 500V	248286	72982	2499-003X5U-252AA		REF	
C9	CAP, FEED THRU, 2500 PF GMV, 500V	248286	72982	2499-003X5U-252AA		REF	
C10	CAP, FEED THRU, 2500 PF GMV, 500V	248286	72982	2499-003X5U-252AA		REF	
C11	CAP, FEED THRU, 2500 PF GMV, 500V	248286	72982	2499-003X5U-252AA		REF	
C101	CAP, CER, 0.010 UF -20/+80%, 250VAC	520254	89536	520254		1	
CR13	DIODE, POWER	508242	84411	1N6096		2	1
CR14	DIODE, POWER	508242	84411	1N6096		REF	
F101	FUSE, FAST ACTING, 4 AMP	216846	71400	AGC4A250V		1	5
H1	NUT, 6-32	110569	89536	110569		3	
H2	NUT, #10	110536	89536	110536		2	
H3	SCREW, PHP, 4-40 X 3/16	149567	89536	149567		2	
H4	SCREW, SELF-LOCKING, 4-40 X 1/4	185918	89536	185918		17	
H5	SCREW, CAP, BLACK, 4-40 X 1/4	528299	89536	528299		2	
H6	SCREW, SELF-LOCKING, 4-40 X 3/8	281196	89536	281196		4	
H7	SCREW, SELF-LOCKING, 4-40 X 1/2	353060	89536	353060		6	
H8	SCREW, PHP, 4-40 X 3/4	152132	89536	152132		1	
H9	SCREW, PHP, 4-40 X 1 3/4	136689	89536	136689		2	
H10	SCREW, SELF-LOCKING, 6-32 X 3/8	177022	89536	177022		6	
H11	SCREW, CAP, BLACK, 6-32 X 1/2	542761	89536	542761		11	
H12	WASHER, FLAT	146225	89536	146225		1	
H13	WASHER, LOCK	111096	89536	111096		1	
H14	WASHER, MICA	195289	89536	195289		4	
H15	WASHER, STAR	175943	89536	175943		1	

Table 6-27. A5 Power Supply Assembly (cont)

REF DES	DESCRIPTION	FLUKE STOCK NO.	MFG SPLY CODE	MFG PART NO.	TOT QTY	REC QTY	NOTE
H16	WASHER, LOCK, #4	110395	89536	110395	5		
H17	WASHER, LOCK, #6	110692	89536	110692	3		
H18	WASHER, FLAT, #10	110262	89536	110262	2		
L101	INDUCTOR, 18 UH	492090	89536	492090	1		
L102	LINE FILTER	500405	89536	500405	1		
MP1	BRACKET, PCB MOUNTING, BOTTOM	488171	89536	488171	1		
MP2	BRACKET, PCB MOUNTING, TOP	488189	89536	488189	1		
MP3	BUSHING, TEFLON	187989	89536	187989	2		
MP4	CAN, CAPACITOR	515502	89536	515502	1		
MP5	FUSEHOLDER	460329	89536	460329	1		
MP6	FUSEHOLDER CAP	460238	89536	460238	1		
MP7	GASKET, LINE CONNECTOR	577189	89536	577189	1		
MP8	HEATSINK, PAINTED	542035	89536	542035	1		
MP9	SOLDER LUG	237180	89536	237180	2		
MP10	SOLDER LUG, #4	102558	89536	102588	1		
R101	RES, DEP. CAR, 56 +/-5%, 1/4W	342618	80031	CR251-4-5P56E	1		
R102	RES, DEP. CAR, 100 +/-5%, 1/4W	348771	80031	CR251-4-5P100E	1		
S101	SWITCH, 115/230	283952	89536	283952	1	1	
S102	SWITCH, TOGGLE	524207	89536	524207	1	1	
W60	CABLE ASSEMBLY	544973	89536	544973	1		
W61	CABLE ASSEMBLY	544981	89536	544981	1		
W62	CABLE ASSEMBLY	512377	89536	512377	1		
W64	CABLE ASSEMBLY	583484	89536	583484	1		
W70	CABLE ASSEMBLY	521369	89536	521369	1		
W110	CABLE ASSEMBLY	515254	89536	515254	1		
W111	CABLE ASSEMBLY	510123	89536	510123	1		
1	A6 ASSEMBLIES, SEE FOLLOWING A5 SECTION. A5 AND A6 ASSEMBLIES ARE COMBINED AS THE POWER SUPPLY REAR PANEL ASSEMBLY.						



6070A-4203T
(1 of 2)

Figure 6-27. A5 Power Supply Assembly

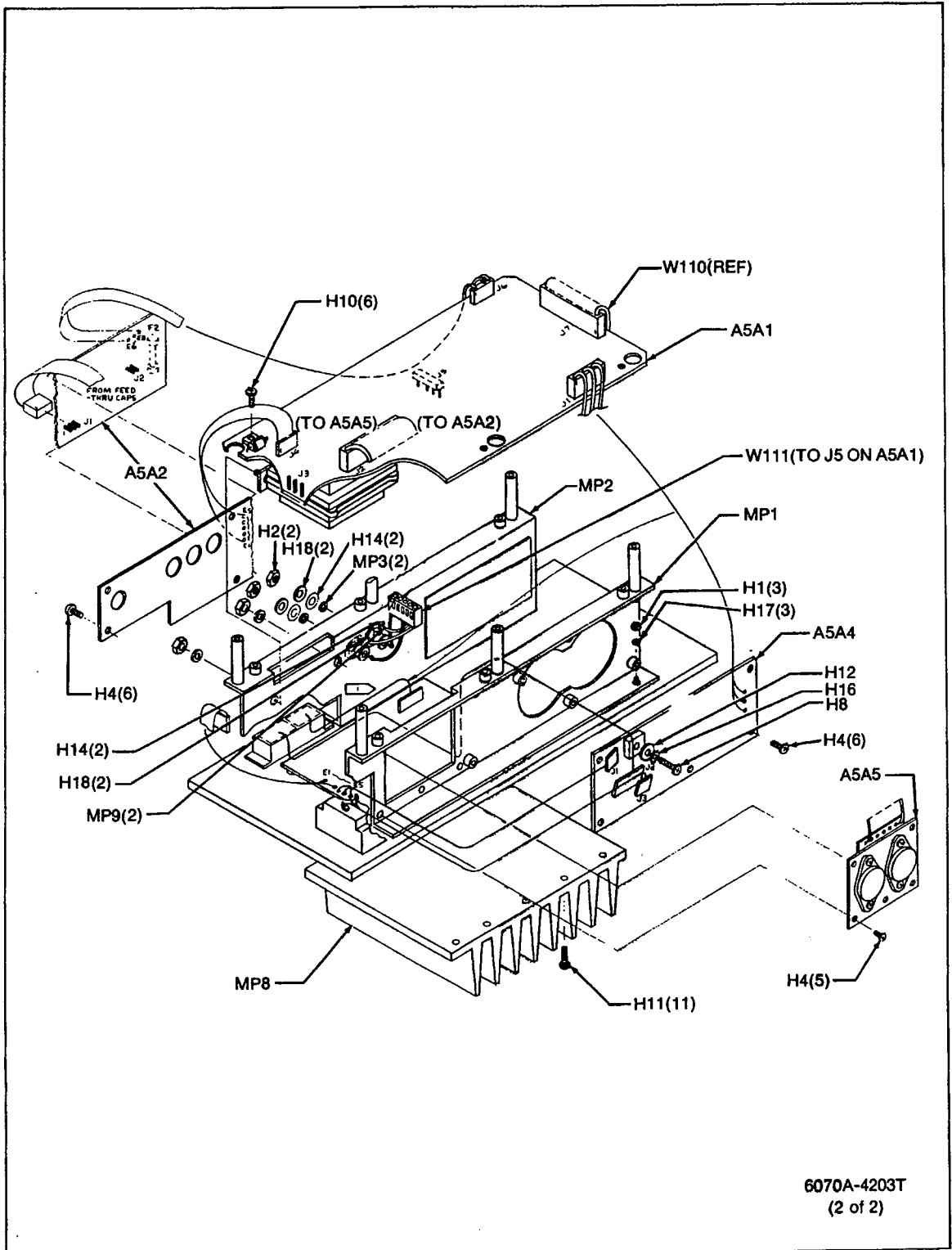


Figure 6-27. A5 Power Supply Assembly (cont)

Table 8-28. A5A1 Power Supply PCB Assembly

REF DES	DESCRIPTION	FLUKE STOCK NO.	MFG SPLY CODE	MFG PART NO.	TOT QTY	REC QTY	NO TE
A5A1	POWER SUPPLY PCB ASSEMBLY FIGURE 6-28 (6070A-4003T)	462416	89536	462416		REF	
C1	CAP, DISC, 5000 PF +/-20%, 3000V	485839	89536	485839		3	
C2	CAP, DISC, 5000 PF +/-20%, 3000V	485839	89536	485839		REF	
C3	CAP, DISC, 5000 PF +/-20%, 3000V	485839	89536	485839		REF	
C4	CAP, POLY, 1.0 UF +/-10%, 400V	500413	84411	TRW-35-1.0-10P-400V		3	
C5	CAP, POLY, 1.0 UF +/-10%, 400V	500413	84411	TRW-35-1.0-10P-400V		REF	
C6	CAP, POLY, 1.0 UF +/-10%, 400V	500413	84411	TRW-35-1.0-10P-400V		REF	
C7	CAP, MICA, 510 PF +/-5%, 500V	148411	72136	DM19E511J		1	
C8	CAP, ELECT. TA, 33 UF +/-10%, 10V	182832	56289	150D336X9010B2		2	
C9	CAP, ELECT. TA, 33 UF +/-10%, 10V	182832	56289	150D336X9010B2		REF	
C12	CAP, ELECT, 47 UF +/-20%, 35V	501262	90201	THF47G35		1	
C15	CAP, ELECT, 150 UF +/-20%, 15V	501270	90201	THF150G15		2	
C16	CAP, ELECT, 150 UF +/-20%, 15V	501270	90201	THF150G15		REF	
C17	CAP, TUBULAR, 330 UF +/-20%, 6V	501288	90201	THF330G6		1	
C18	CAP, TA, 22 UF +/-20%, 15V	423012	56289	196D226X0015KA1		1	
C19	CAP, CER, 0.05 UF +/-20%, 50V	175232	56289	C023B101H253M		2	
C20	CAP, CER, 0.05 UF +/-20%, 50V	175232	56289	C023B101H253M		REF	
C21	CAP, TA, 2.2 UF +/-20%, 20V	161927	56289	196D2225X0020HA1		1	
C22	CAP, CER, 39 PF +/-5%, 1000V	417410	72982	858-000-R2G0-390J		1	
C23	CAP, CER, 300 PF +/-10%, 100V	105734	71590	BB60301KW7W		1	
CR2	DIODE, SI, RECTIFIER, 1 AMP	379412	04713	1N4933		8	2
CR3	DIODE, SI, RECTIFIER, 1 AMP	379412	04713	1N4933		REF	
CR4	DIODE, SI, RECTIFIER, 1A, 100V	343491	03877	1N4002		2	1
CR5	DIODE, SI, RECTIFIER, 1A, 100V	343491	03877	1N4002		REF	
CR6	DIODE, SI, HI-SPEED SWITCHING	203323	07910	1N4448		2	1
CR7	DIODE, SI, FAST RECOVERY	523720	12969	UES1303		2	1
CR8	DIODE, SI, FAST RECOVERY	523720	12969	UES1303		REF	
CR9	DIODE, SI, RECTIFIER	483701	14099	5FF10		2	1
CR10	DIODE, SI, RECTIFIER	483701	14099	5FF10		REF	
CR11	RECTIFIER, SI, FAST RECOVERY, 100V	495739	14099	3FF10		2	1
CR12	RECTIFIER, SI, FAST RECOVERY, 100V	495739	14099	3FF10		REF	
CR15	DIODE, SI, HI-SPEED SWITCHING	203323	07910	1N4448		REF	
CR16	DIODE, SI, RECTIFIER, 1 AMP	379412	04713	1N4933		REF	
CR17	DIODE, SI, RECTIFIER, 1 AMP	379412	04713	1N4933		REF	
CR18	DIODE, SI, RECTIFIER, 1 AMP	379412	04713	1N4933		REF	
CR19	DIODE, SI, RECTIFIER, 1 AMP	379412	04713	1N4933		REF	
CR20	DIODE, SI, RECTIFIER, 1 AMP	379412	04713	1N4933		REF	
CR21	DIODE, SI, RECTIFIER, 1 AMP	379412	04713	1N4933		REF	
DS1	LAMP, NEON	100347	74276	T2-24-2		1	
H1	P-NUT, 4-40 (NOT SHOWN)	380196	24347	KF2-440		3	
H2	SCREW, 4-40 X 1 1/4 (NOT SHOWN)	114918	89536	114918		3	
H3	WASHER, FLAT (NOT SHOWN)	146225	89536	146225		3	
H4	WASHER, FLAT, TEFLON (NOT SHOWN)	156299	89536	156299		2	
H5	WASHER, LOCK, #4 (NOT SHOWN)	110395	89536	110395		3	
J1	CONNECTOR, 6-PIN	512178	27264	09-80-1063		1	
J2	CONNECTOR, 12-PIN	512160	27264	09-80-1123		2	
J3	CONNECTOR, POST	267500	00779	86144-2		11	
J4	CONNECTOR, POST	267500	00779	86144-2		REF	

Table 6-28. A5A1 Power Supply PCB Assembly (cont)

REF DES	DESCRIPTION	FLUKE STOCK NO.	MFG SPLY CODE	MFG PART NO.	TOT QTY	REC QTY	NOTE
J5	CONNECTOR, 5-PIN	512186	27264	09-80-1053	1		
J6	CONNECTOR, POST	267500	00779	86144-2	REF		
J7	CONNECTOR, 12-PIN	512160	27264	09-80-1123	REF		
L1	CHOKE, 9.4 MH	492124	89536	492124	1		
L3	CHOKE, 0.516 MH	521880	89536	521880	1		
L4	CHOKE, 0.200 MH	492116	89536	492116	1		
L5	CHOKE, 170 UH	503177	89536	503177	2		
L6	CHOKE, 0.200 MH	492140	89536	492140	1		
L7	CHOKE, 170 UH	503177	89536	503177	REF		
L8	CHOKE, 80 UH	503169	89536	503169	1		
L9	CHOKE, 0.100 MH	492132	89536	492132	1		
Q3	TRANSISTOR, SI, NPN, POWER	535468	89536	535468	2	1	
Q4	TRANSISTOR, SI, NPN, POWER	535468	89536	535468	REF		
Q5	TRANSISTOR, POWER, PNP	495689	04713	MPSU56	2	1	
Q6	TRANSISTOR, POWER, PNP	495689	04713	MPSU56	REF		
R1	RES, DEP. CAR, 470K +/-5%, 1/4W	342634	80031	CR251-4-5P470K	1		
R2	RES, DEP. CAR, 15K +/-5%, 1/4W	348854	80031	CR251-4-5P15K	1		
R3	RES, COMP, 82 +/-5%, 4W	501296	89536	501296	1		
R4	RES, DEP. CAR, 24 +/-5%, 1/4W	442210	80031	CR251-4-5P24E	2		
R5	RES, CAR. DEP, 15 +/-5%, 1/4W	348755	80031	CR251-4-5P15E	2		
R6	RES, COMP, 6.2 +/-10%, 1/2W	218750	01121	EB6225	2		
R7	RES, DEP. CAR, 1K +/-5%, 1/4W	343426	80031	CR251-4-5P1K	4		
R8	RES, DEP. CAR, 24 +/-5%, 1/4W	442210	80031	CR251-4-5P24E	REF		
R9	RES, CAR. DEP, 15 +/-5%, 1/4W	348755	80031	CR251-4-5P15E	REF		
R10	RES, COMP, 6.2 +/-10%, 1/2W	218750	01121	EB6225	REF		
R11	RES, DEP. CAR, 1K +/-5%, 1/4W	343426	80031	CR251-4-5P1K	REF		
R12	RES, DEP. CAR, 270 +/-5%, 1/4W	348789	80031	CR251-4-5P270E	2		
R17	RES, DEP. CAR, 10 +/-5%, 1/4W	340075	80031	CR251-4-5P10E	2		
R18	RES, DEP. CAR, 10 +/-5%, 1/4W	340075	80031	CR251-4-5P10E	REF		
R19	RES, COMP, 4.7K +/-5%, 1/4W	348821	01121	CB4725	1		
R20	RES, DEP. CAR, 1K +/-5%, 1/4W	343426	80031	CR251-4-5P1K	REF		
R21	RES, DEP. CAR, 1K +/-5%, 1/4W	343426	80031	CR251-4-5P1K	REF		
R22	RES, DEP. CAR, 270 +/-5%, 1/4W	348789	80031	CR251-4-5P270E	REF		
R23	RES, DEP. CAR, 33 +/-5%, 1/4W	414524	80031	CR251-4-5P33E	1		
R24	RES, COMP, 39 +/-10%, 1/2W	160036	01121	EB3901	1		
R25	RES, DEP. CAR, 100 +/-5%, 1/4W	348771	80031	CR251-4-5P100E	2		
R26	RES, DEP. CAR, 100 +/-5%, 1/4W	348771	80031	CR251-4-5P100E	REF		
T1	TRANSFORMER	611582	89536	611582	2		
T2	TRANSFORMER	611582	89536	611582	REF		
T3	TRANSFORMER, 90-264V	492199	89536	492199	1		
T4	TRANSFORMER	503185	89536	503185	1		
TP1-11	CONNECTOR, TEST POINT	512889	02660	62395-1834	11		

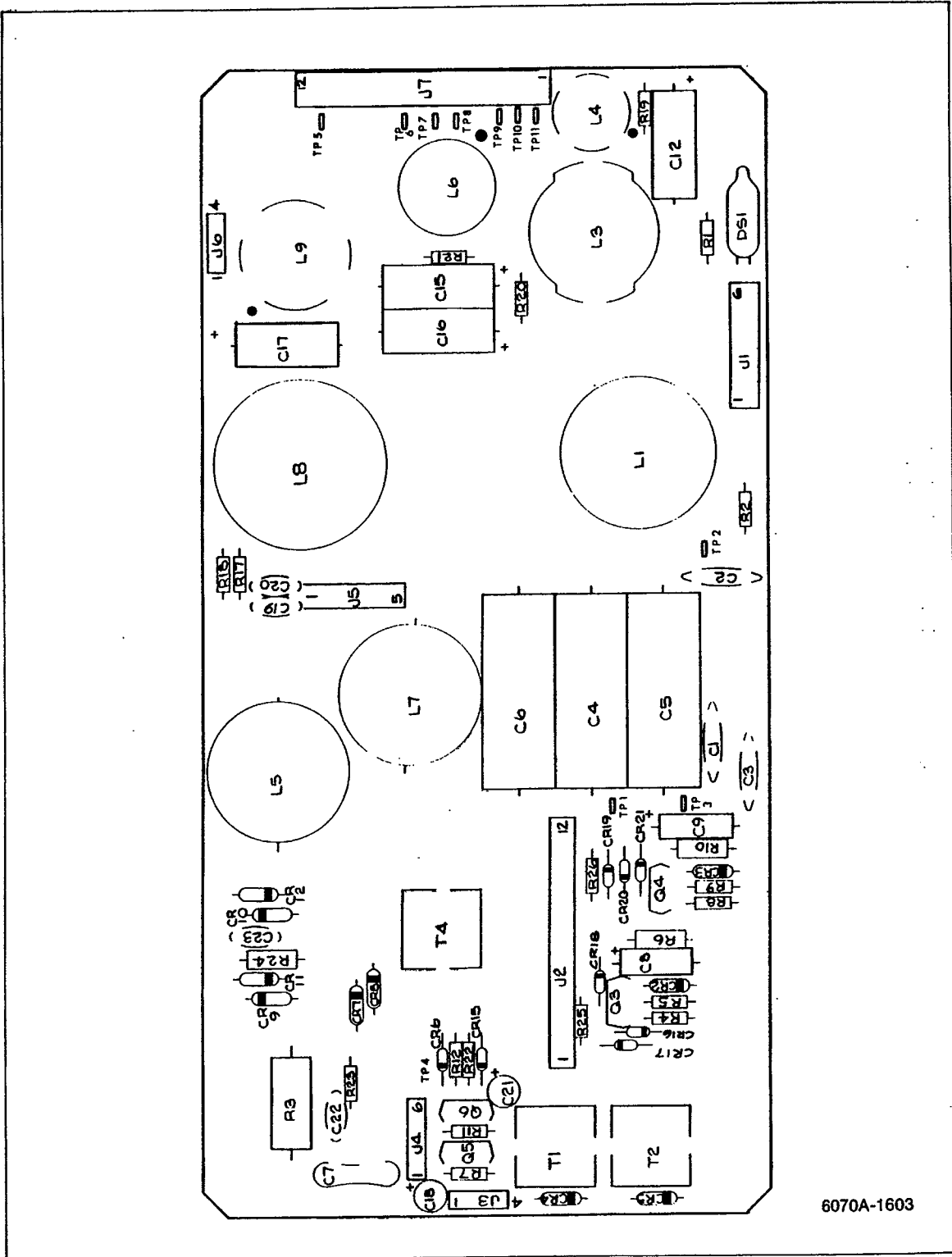


Figure 6-28. A5A1 Power Supply PCB Assembly

Table 6-29. A5A2 P/S Regulator PCB Assembly

REF DES	DESCRIPTION	FLUKE STOCK NO.	MFG SPLY CODE	MFG PART NO.	TOT QTY	REC QTY	NOTE
A5A2②	P/S REGULATOR PCB ASSEMBLY FIGURE 6-29 (6070A-4002T)	462408	89536	462408		REF	
C1	CAP, ELECT, 1000 UF -10/+50%, 16V	193896	80031	ET102X016A02	1		
C4	CAP, POLY, 400 PF +/-1%, 63V	528406	12954	B31063/400/1/63	2		
C5	CAP, TA, 10 UF +/-20%, 15V	193623	56289	196D106X0015A1	4		
C6	CAP, POLY, 3600 PF +/-2%, 63V	528414	12954	B31063/3600/2/63	2		
C7	CAP, TA, 10 UF +/-20%, 15V	193623	56289	196D106X0015A1	REF		
C8	CAP, POLY, 3600 PF +/-2%, 63V	528414	12954	B31063/3600/2/63	REF		
C9	CAP, POLY, 7500 PF +/-5%, 63V	528430	12954	B31063/7500/5/63	2		
C10	CAP, POLY, 400 PF +/-1%, 63V	528406	12954	B31063/400/1/63	REF		
C11	CAP, POLY, 7500 PF +/-5%, 63V	528430	12954	B31063/7500/5/63	REF		
C12	CAP, POLY, 5000 PF +/-5%, 63V	528422	12954	B31063/5000/5/63	1		
C13	CAP, POLY, 10000 PF +/-5%, 63V	528448	12954	B31063/10000/5/63	1		
C14	CAP, TA, 22 UF +/-20%, 15V	423012	56289	196D226X0015KA1	1		
C15	CAP, TA, 10 UF +/-20%, 15V	193623	56289	196D106X0015A1	REF		
C16	CAP, TA, 150 UF +/-20%, 20V	422576	56289	196D157X0020TA1	1		
C17	CAP, TA, 10 UF +/-20%, 15V	193623	56289	196D106X0015A1	REF		
C18	CAP, TA, 2.2 UF +/-20%, 20V	161927	56289	196D2225X0020HA1	1		
CR3	DIODE, SI	343491	04713	1N4002	2	1	
CR4	DIODE, SI, HI-SPEED SWITCHING	203323	07910	1N4448	6	2	
CR5	DIODE, SI, HI-SPEED SWITCHING	203323	07910	1N4448	REF		
CR6	DIODE, SI, HI-SPEED SWITCHING	203323	07910	1N4448	REF		
CR7	DIODE, SI, HI-SPEED SWITCHING	203323	07910	1N4448	REF		
CR8	DIODE, SI, HI-SPEED SWITCHING	203323	07910	1N4448	REF		
CR9	DIODE, ZENER 6.8V +/-5%	260695	04713	1N754A	1	1	
CR10	DIODE, ZENER 5.6V	277236	07910	1N752A	1	1	
CR11	DIODE, SI	343491	04713	1N4002	REF		
CR12	DIODE, SI, HI-SPEED SWITCHING	203323	07910	1N4448	REF		
F2	FUSE, SLO-BLO, 0.60A	544262	71400	MDL.600A	1	5	
J1	CONNECTOR, POST	267500	00779	86144-2	5		
J2	CONNECTOR, POST	267500	00779	86144-2	REF		
L1	CHOKE, 6-TURN	320911	89536	320911	2		
L2	INDUCTOR, 1500 UH +/-10%	343863	24759	MR-1500	1		
L3	CHOKE, RF, 470 UH	147827	72259	WEE470	2		
L4	CHOKE, RF, 470 UH	147827	72259	WEE470	REF		
L5	CHOKE, RF, 390 UH +/-5%, 230MA	186288	72259	WEE390	1		
L6	INDUCTOR, 1000 UH +/-10%, 40MA	256107	24759	MR-1000	1		
L7	CHOKE, 6-TURN	320911	89536	320911	REF		
MP1	FUSE CLIP	284984	84614	3621-2	2		
Q1	TRANSISTOR, SI, PNP	418707	04713	MPS56562	1		
Q2	TRANSISTOR, SI, NPN	218081	04713	MPS6520	1		
R1	RES, VAR, 10K +/-10%, 1/2W	309674	75378	360T-103A	2		
R2	RES, MTL. FILM, 17.4K +/-1%, 1/8W	236802	91637	CMF551742F	1		
R3	RES, MTL. FILM, 12.1K +/-1%, 1/8W	234997	91637	CMF551212F	1		
R4	RES, MTL. FILM, 7.50K +/-1%, 1/8W	223529	91637	CMF557501F	1		
R5	RES, DEP. CAR, 10K +/-5%, 1/4W	348839	80031	CR251-4-5P10K	1		
R6	RES, MTL. FILM, 5.11K +/-1%, 1/4W	294868	91637	CMF555111F	1		
R7	RES, VAR, 10K +/-10%, 1/2W	309674	75378	360T-103A	REF		

Table 6-29. A5A2 P/S Regulator PCB Assembly (cont)

REF DES	DESCRIPTION	FLUKE STOCK NO.	MFG SPLY CODE	MFG PART NO.	TOT QTY	REC QTY	NO TE
R8	RES, MTL. FILM, 15K +/-1%, 1/8W	285296	91637	CMF551502F	1		
R9	RES, DEP. CAR, 11K +/-5%, 1/4W	441360	80031	CR251-4-5P11K	2		
R10	RES, DEP. CAR, 11K +/-5%, 1/4W	441360	80031	CR251-4-5P11K	REF		
R11	RES, DEP. CAR, 390 +/-5%, 1/4W	441543	80031	CR251-4-5P390E	2		
R12	RES, DEP. CAR, 390 +/-5%, 1/4W	441543	80031	CR251-4-5P390E	REF		
R13	RES, DEP. CAR, 75K +/-5%, 1/4W	394130	80031	CR251-4-5P75K	1		
R14	RES, COMP, 100K +/-5%, 1/4W	348920	01121	CB1045	2		
R15	RES, DEP. CAR, 47K +/-5%, 1/4W	348896	80031	CR251-4-5P47K	1		
R16	RES, COMP, 100K +/-5%, 1/4W	348920	01121	CB1045	REF		
R17	RES, DEP. CAR, 36K +/-5%, 1/4W	442392	80031	CR251-4-5P36K	1		
R18	RES, DEP. CAR, 30K +/-5%, 1/4W	368753	80031	CR251-4-5P30K	1		
R19	RES, DEP. CAR, 2K +/-5%, 1/4W	441469	80031	CR251-4-5P2K	2		
R20	RES, DEP. CAR, 2.2K +/-5%, 1/4W	343400	80031	CR251-4-5P2K2	1		
R21	RES, MTL. FILM, 4.32K +/-1%, 1/8W	294819	91637	CMF554321F	1		
R22	RES, DEP. CAR, 2K +/-5%, 1/4W	441469	80031	CR251-4-5P2K	REF		
R23	RES, DEP. CAR, 1K +/-5%, 1/4W	343426	80031	CR251-4-5P1K	1		
R24	RES, DEP. CAR, 20K +/-5%, 1/4W	441477	80031	CR251-4-5P20K	1		
R25	RES, DEP. CAR, 200 +/-5%, 1/4W	441451	80031	CR251-4-5P200E	1		
R26	RES, MTL. FILM, 6.34K +/-1%, 1/8W	267344	91637	CMF556341F	1		
TP1	CONNECTOR, TEST POINT	512889	89536	512889	4		
TP2	CONNECTOR, TEST POINT	512889	89536	512889	REF		
TP3	CONNECTOR, TEST POINT	512889	89536	512889	REF		
TP4	CONNECTOR, TEST POINT	512889	89536	512889	REF		
U1	IC, SWITCHING VOLTAGE REGULATOR	504340	04713	MC3420P	1	1	
U2	IC, LINEAR, OP-AMP	413740	12040	LM307N	1	1	
U3 ⊕	IC, C-MOS, RETRIGGER/RESET MULTIVIBRATOR	393512	02735	CD4098AE	1	1	
U4	IC, LINEAR, COMPARATOR	352195	01295	SN72311P	1	1	
W68	CABLE ASSEMBLY	521344	89536	521344	1		
W69	CABLE ASSEMBLY	514794	89536	514794	1		
XU1	SOCKET, IC, 16-PIN DIP	370312	91506	316-AG39D	2		
XU2	SOCKET, IC, 8-PIN	478016	91506	308-AG39D	2		
XU3	SOCKET, IC, 16-PIN DIP	370312	91506	316-AG39D	REF		
XU4	SOCKET, IC, 8-PIN	478016	91506	308-AG39D	REF		

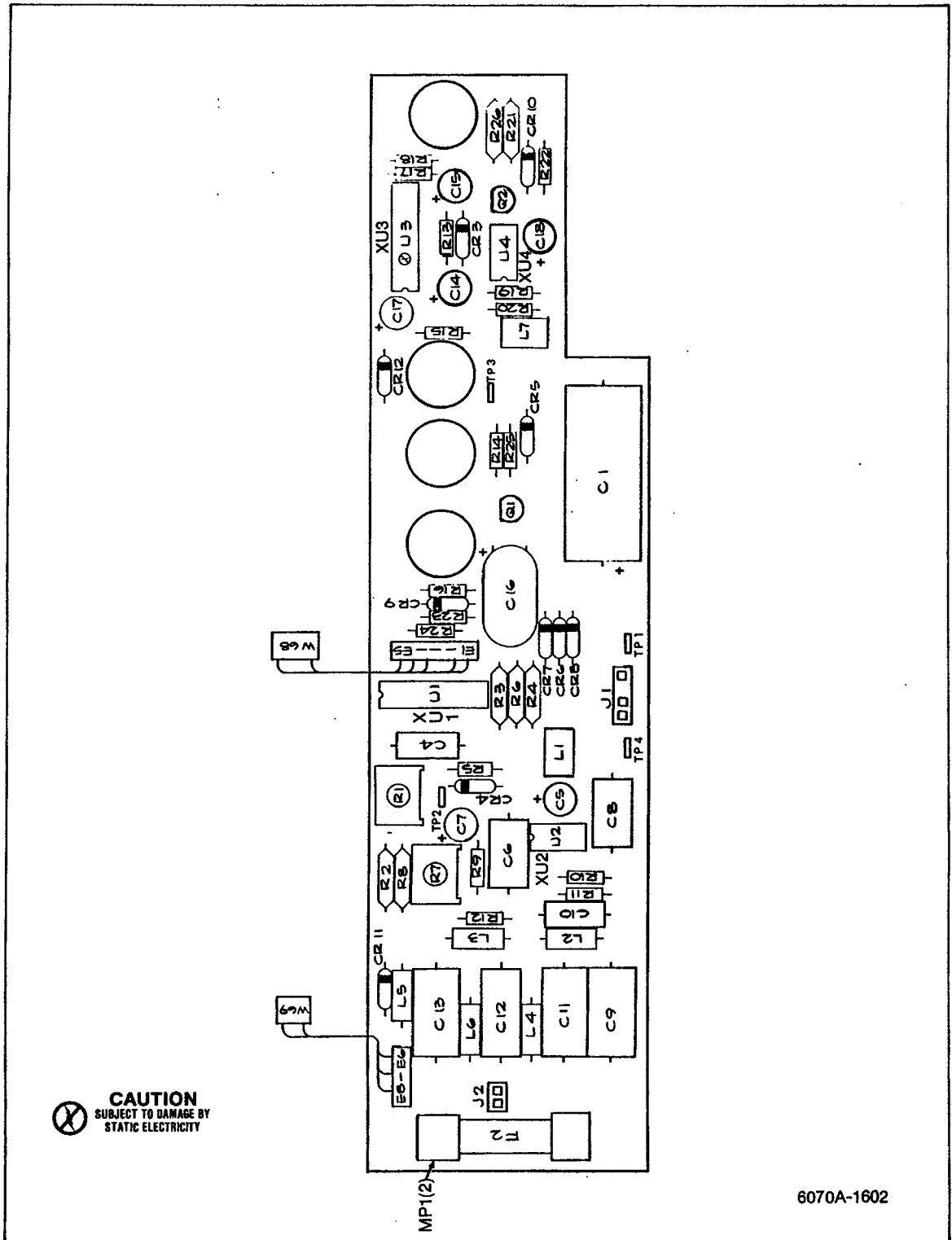
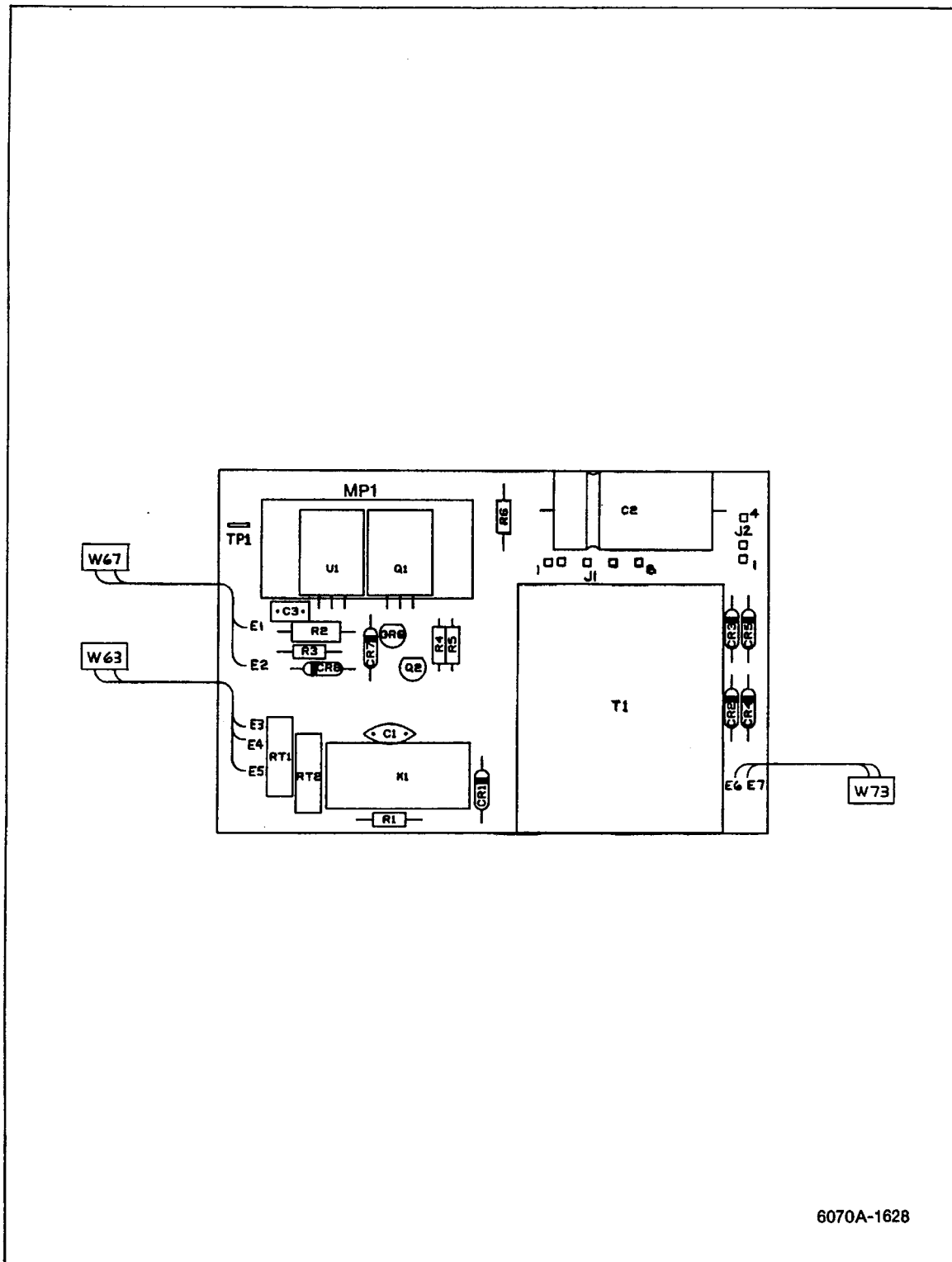


Figure 6-29. A5A2 P/S Regulator PCB Assembly

Table 6-30. A5A3 Auxiliary Transformer PCB Assembly

REF DES	DESCRIPTION	FLUKE STOCK NO.	MFG SPLY CODE	MFG PART NO.	TOT QTY	REC QTY	NOTE
A5A3	AUXILIARY TRANSFORMER PCB ASSEMBLY FIGURE 6-30 (6070A-4028T)	489005	89536	489005		REF	
C1	CAP, CER, 1000 PF +/-10%, 1000V	368621	89536	368621	1		
C2	CAP, ELECT, 220 UF +50/-10%, 63V	185850	80031	ET221X063A02	1		
C3	CAP, CER, 0.22 UF +/-20%, 50V	309849	71590	CW30C224K	1		
CR1	DIODE, RECTIFIER, 1 AMP	368738	04713	1N4004	6	2	
CR2	DIODE, RECTIFIER, 1 AMP	368738	04713	1N4004	REF		
CR3	DIODE, RECTIFIER, 1 AMP	368738	04713	1N4004	REF		
CR4	DIODE, RECTIFIER, 1 AMP	368738	04713	1N4004	REF		
CR5	DIODE, RECTIFIER, 1 AMP	368738	04713	1N4004	REF		
CR6	DIODE, FIELD EFFECT	348482	89536	348482	1	1	
CR7	DIODE, ZENER	267807	04713	1N9708	1		
CR8	DIODE, RECTIFIER, 1 AMP	368738	04713	1N4004	REF		
H1	SCREW, PHP, 4-40 X 5/16 (W/U1, Q1)	335141	89536	335141	2		
H2	WASHER, LOCK, #4 (W/U1, Q1)	110395	89536	110395	2		
H3	WASHER, SHOULDER, #4 (NOT SHOWN)	485417	89536	485417	2		
H4	P-NUT, 4-40 (W/U1, Q1)	380196	89536	380196	2		
J1	CONNECTOR, POST	267500	00779	86144-2	8		
J2	CONNECTOR, POST	267500	00779	86144-2	REF		
K1	RELAY, MIN PC, 6VDC	485649	28478	20693-82	1	1	
MP1	HEAT SINK	510651	89536	510651	1		
MP2	INSULATOR, MICA (W/U1, Q1)	412809	89536	412809	2		
Q1	TRANSISTOR, SI, NPN	386128	01295	T1P120	1	1	
Q2	TRANSISTOR, SI, NPN, SM SIGNAL	330803	04713	MPS6560	1	1	
R1	RES, DEP. CAR, 470 +/-5%, 1/4W	343434	80031	CR251-4-5P471E			
R2	RES, COMP, 560 +/-10%, 1/2W	108316	01121	EB5611	1		
R3	RES, DEP. CAR, 56 +/-5%, 1/4W	342618	80031	CR251-4-5P56E	1		
R4	RES, DEP. CAR, 1.6 +/-5%, 1/4W	442038	80031	CR251-4-5P1R6	2		
R5	RES, DEP. CAR, 1.6 +/-5%, 1/4W	442038	80031	CR251-4-5P1R6	REF		
R6	RES, COMP, 27K +/-5%, 1/4W	148148	01121	CB2735	1		
RT1	THERMISTOR, NEGATIVE TC	500371	50157	3D5120	2		
RT2	THERMISTOR, NEGATIVE TC	500371	50157	3D5120	REF		
T1	TRANSFORMER, AUXILIARY POWER	492363	89536	492363	1		
TP1	TEST POINT	512889	00779	62395-1	1		
U1	IC, VOLTAGE REGULATOR	413195	04713	MC7812TP	1	1	
W63	CABLE, 2 CONDUCTOR, SHIELDED	544999	89536	544999	1		
W67	CABLE, 2 CONDUCTOR	514810	89536	514810	1		
W73	CABLE, 2 CONDUCTOR	582908	89536	582908	1		



6070A-1628

Figure 6-30. A5A3 Auxiliary Transformer PCB Assembly

Table 6-31. A5A4 Input Rectifier PCB Assembly

REF DES	DESCRIPTION	FLUKE STOCK NO.	MFG SPLY CODE	MFG PART NO.	TOT QTY	REC QTY	NOTE
A5A4	INPUT RECTIFIER PCB ASSEMBLY FIGURE 6-31 (6070A-4029T)	489013	89536	489013		REF	
C1	CAP, CER, 0.0033 UF +/-GMV, 600V	106674	56289	C023B102F332M	2		
C2	CAP, CER, 0.0033 UF +/-GMV, 600V	106674	56289	C023B102F332M	2	REF	
C3	CAP, ELECT, (MATCHED PAIR)	576280	89536	576280	1		
C4	CAP, PAIRED TO C3						
C5	CAP, CER, 0.010 UF -20/+80%, 250VAC	520254	89536	520254	1		
CR1	DIODE, BRIDGE	523753	83003	VH648X	1		1
CR2	RES, (VARISTOR) RMS VOLT 275	519355	09214	V275LA15AS14K275	1		1
E101	PROTECTOR, (V) SURGE	500363	25088	B1-A230	1		
J1	CONNECTOR, POST	267500	00779	86144-2	11		
J2	CONNECTOR, POST	267500	00779	86144-2	2	REF	
J3	CONNECTOR, POST	267500	00779	86144-2	2	REF	
L1	CHOKER, LINE, 0.018 MH	492090	89536	492090	2		
L2	CHOKER, LINE, 0.018 MH	492090	89536	492090	2	REF	
MP1	HOLDER, COMPONENT	422865	89536	422865	2		
R1	RES, COMP, 150K +/-10%, 1/2W	108167	01121	EB15415	2		
R2	RES, COMP, 150K +/-10%, 1/2W	108167	01121	EB15415	2	REF	
R3	RES, DEP. CAR, 120 +/-5%, 1/4W	442293	80031	CR251-4-5P120E	2		
R4	RES, DEP. CAR, 120 +/-5%, 1/4W	442293	80031	CR251-4-5P120E	2	REF	
R5	RES, DEP. CAR, 82 +/-5%, 1/4W	442277	80031	CR251-4-5P82E	1		
W1	WIRE, TEFLON, #22 BLK	115774	89536	115774	1	AR	
W66	RECTIFIER CABLE ASSEMBLY	515213	89536	515213	1		

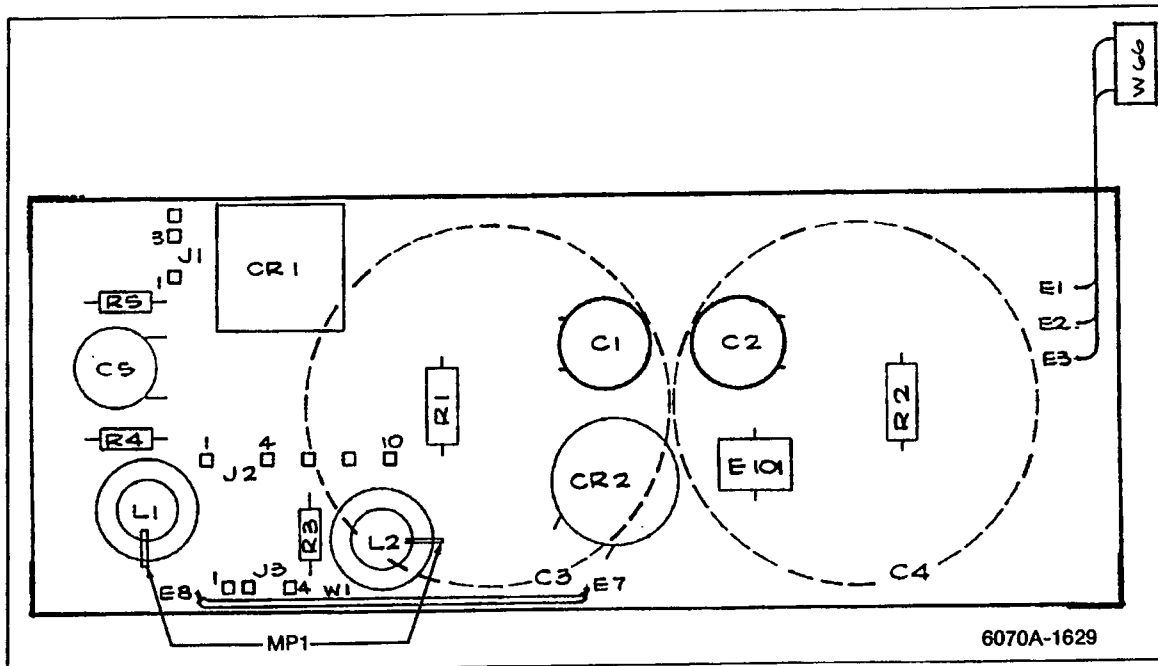
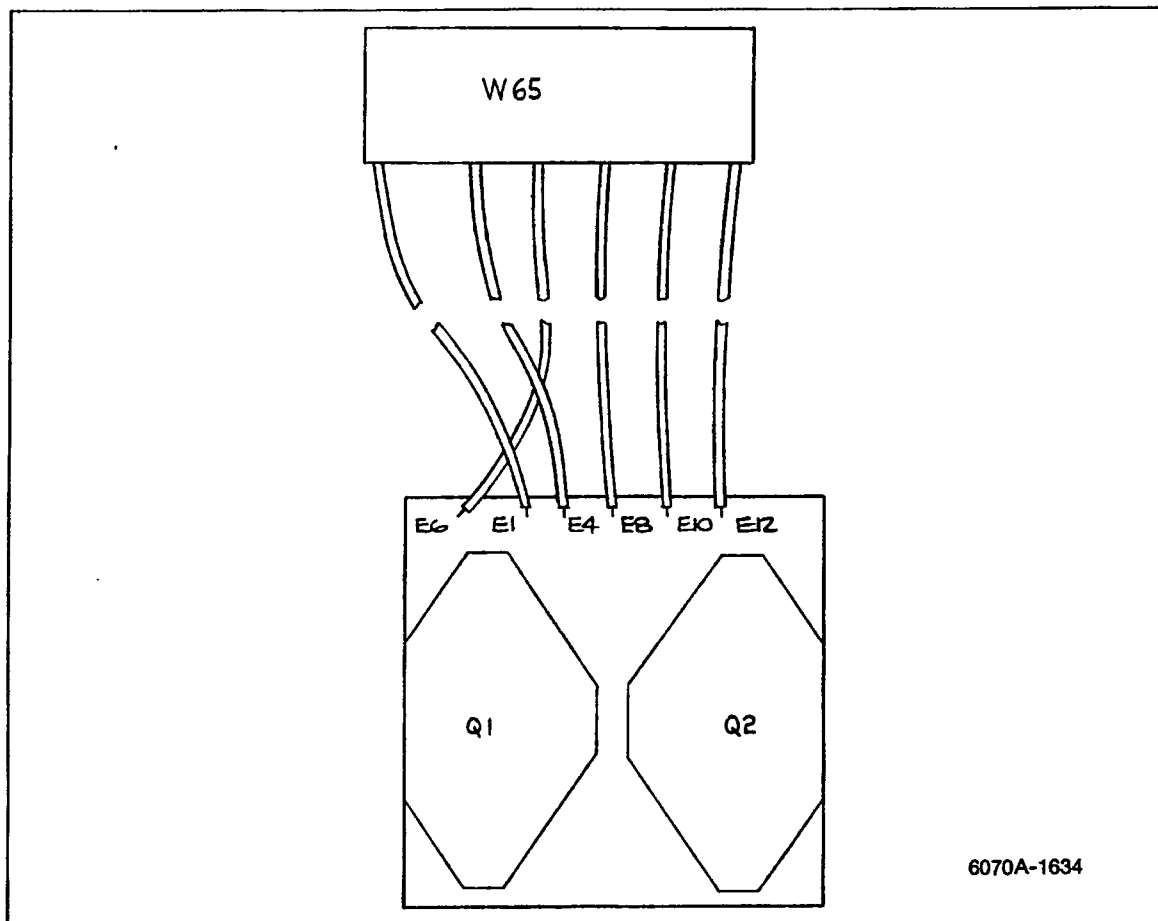


Figure 6-31. A5A4 Input Rectifier PCB Assembly

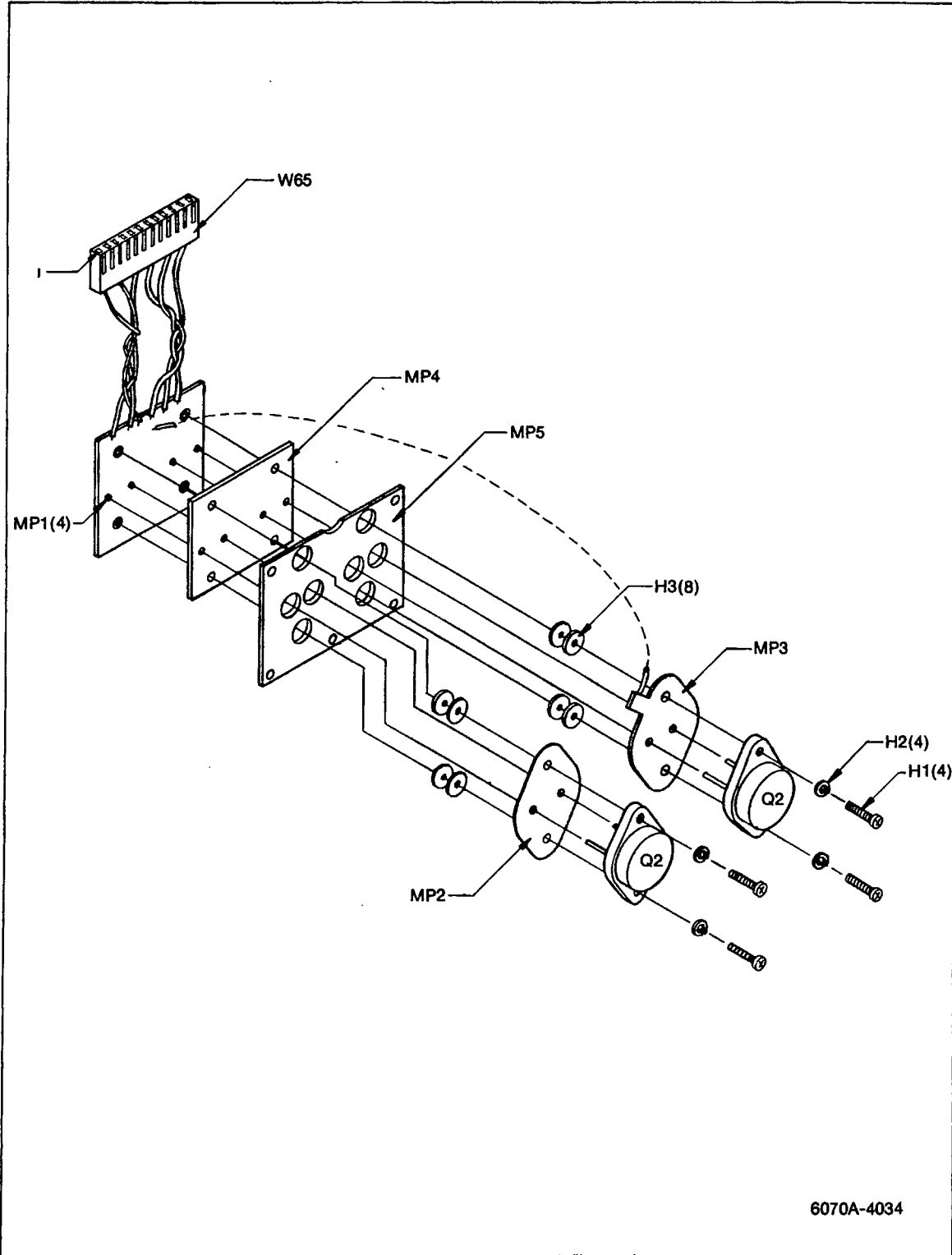
Table 6-32. A5A5 Switching Transistors Assembly

REF DES	DESCRIPTION	FLUKE STOCK NO.	MFG SPLY CODE	MFG PART NO.	TOT QTY	REC QTY	N D T E
A5A5	SWITCHING TRANSISTORS ASSEMBLY FIGURE 6-32 (6070A-4034)	521385	89536	521385		REF	
H1	SCREW, #4-40 X 1/2	256172	89536	256172	4		
H2	WASHER, SPLIT LOCK	147603	89536	147603	4		
H3	WASHER, FIBER	246488	89536	246488	8		
MP1	SOCKET	386144	89536	386144	4		
MP2	INSULATOR, TRANSISTOR	524645	89536	524645	1		
MP3	INSULATOR, TO-3 SHIELD	526566	89536	526566	1		
MP4	INSULATOR, PCB	468843	89536	468843	1		
MP5	PLATE, TRANSISTOR MOUNTING	514430	89536	514430	1		
Q1	TRANSISTOR, SI, NPN	495705	04713	MJ10007	2		1
Q2	TRANSISTOR, SI, NPN	495705	04713	MJ10007	REF		
W65	CABLE ASSEMBLY	515239	89536	515239	1		



6070A-1634

Figure 6-32. A5A5 Switching Transistors Assembly



6070A-4034

Figure 6-32. A5A5 Switching Transistors Assembly (cont)

Table 6-33. A5A6 Power Supply Capacitor PCB Assembly

REF DES	DESCRIPTION	FLUKE STOCK NO.	MFG SPLY CODE	MFG PART NO.	TOT QTY	REC QTY	NO TE
A5A6	POWER SUPPLY CAPACITOR PCB ASSEMBLY FIGURE 6-33 (6070A-4036)	520957	89536	520957			REF
C1	CAP, ELECT, 47 UF +/-20%, 35V	501262	90201	THF47G35	1		
C2	CAP, ELECT, 150 UF +/-20%, 15V	501270	90201	THF150G15	2		
C3	CAP, ELECT, 150 UF +/-20%, 15V	501270	90201	THF150G15			REF
C4	CAP, ELECT, 330 UF +/-20%, 6V	501288	90201	THF330G6	2		
C5	CAP, ELECT, 330 UF +/-20%, 6V	501288	90201	THF330G6			REF
C6	CAP, TA, 22 UF +/-20%, 35V	394775	56289	196D226X0035TE4	1		
C7	CAP, TA, 10 UF +/-20%, 20V	330662	56289	196D106X0020KA1	1		
C8	CAP, TA, 68 UF, 6V/8V	519702	56289	196D686X0008KE4	2		
C9	CAP, TA, 68 UF, 6V/8V	519702	56289	196D686X0008KE4			REF
L1	INDUCTOR, 33 UH +/-5%, 1030 MA	249086	24759	MR-33	1		
R1	RES, COMP, 100 +/-10%, 1W	109363	01121	GB1011	1		
W7	CABLE ASSEMBLY	515262	89536	515262	1		

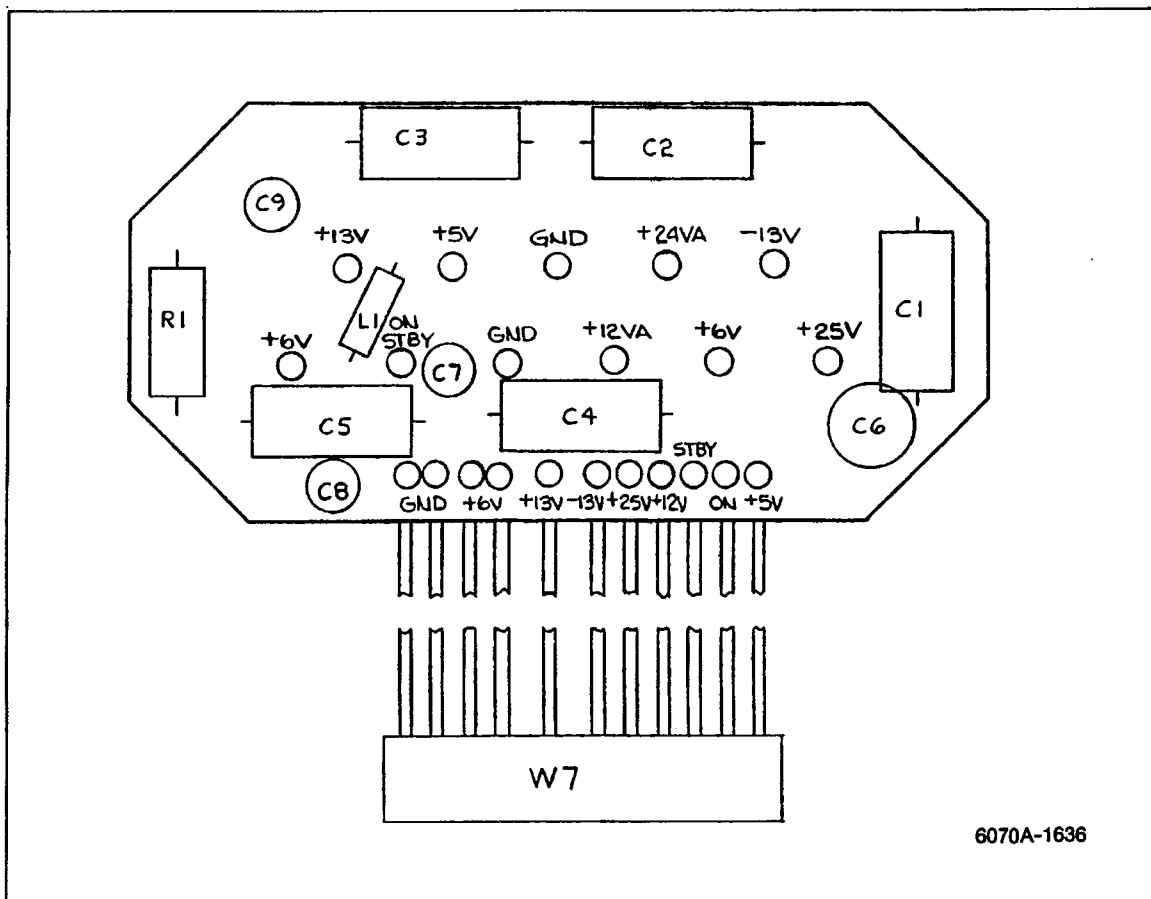


Figure 6-33. A5A6 Power Supply Capacitor PCB Assembly

Table 6-34. A6 Rear Panel Assembly

REF DES	DESCRIPTION	FLUKE STOCK NO.	MFG SPLY CODE	MFG PART NO.	TOT QTY	REC QTY	NO TE
A6	POWER SUPPLY ASSEMBLY, REAR PANEL FIGURE 6-34 (6070A-4203T)						1
A6A1	IEEE CONNECTOR PCB ASSEMBLY	463620	89536	463620		1	
A6A2	SERIES PASS MOTHERBOARD PCB ASSEMBLY	489591	89536	489591		1	
A6A3	+5V SERIES PASS PCB ASSEMBLY	489625	89536	489625		1	
A6A4	+12V, -12V, +24V SERIES PASS PCB ASSEMBLY	489658	89536	489658		1	
H1	NUT, SELF LOCKING, 4-40	195255	89536	195255		6	
H2	NUT, 6-32	110569	89536	110569		2	
H4	SCREW, SELF LOCKING, 4-40 X 1/2	353060	89536	353060		2	
H5	SCREW, CAP, 4-40 X 1/2	528307	89536	528307		6	
H6	SCREW, SELF LOCKING, 4-40 X 1/4	185918	89536	185918		7	
H7	SCREW, FHP, 4-40 X 1/4	114884	89536	114884		2	
H8	SCREW, CAP, 4-40 X 1 1/4	528315	89536	528315		4	
H10	SCREW, FHP, 6-32 X 1/4	320093	89536	320093		4	
H11	SCREW, CAP, 6-32 X 1/4	528281	89536	528281		8	
H12	SCREW, SELF LOCKING, 6-32 X 3/8	177022	89536	177022		4	
H13	SCREW, FHP, 6-32 X 3/4	114504	89536	114504		2	
H14	SCREW, CAP, 8-32 X 3/8	295105	89536	295105		4	
H15	SCREW, FHP, 8-32 X 3/8	114116	89536	114116		10	
H16	WASHER, FLAT	176743	89536	176743		2	
H17	WASHER, LOCK, #6	110338	89536	110338		2	
MP1	BRACKET, REAR CORNER ASSEMBLY	540690	89536	540690		2	
MP2	BRACKET, A6A2 SUPPORT	468835	89536	468835		1	
MP3	CONNECTOR HOUSING, 4-PIN	461210	89536	461210		1	
MP4	CONTACT, CRIMP	461236	89536	461236		2	
MP5	COVER, RF OUT	538256	89536	538256		1	
MP8	FAN & REGULATOR	501312	89536	501312		1	
MP9	HANDLE, BLACK PLASTIC	394312	89536	394312		2	
MP10	POLARIZING KEY	461228	89536	461228		1	
MP11	REAR PANEL	462366	89536	462366		1	
MP12	SHIELD, MAGNETIC	616946	89536	616946		1	
	1 PART OF THE A5 SECTION						

6070A/6071A

Table 6-35. A6A1 IEEE Connector PCB Panel Assembly

REF DES	DESCRIPTION	FLUKE STOCK NO.	MFG SPLY CODE	MFG. PART NO.	TOT QTY	REC QTY	NOTE
A6A1	IEEE CONNECTOR PCB ASSEMBLY FIGURE 6-35 (6070A-4019T)	457903	89536	457903	REF		
H1	SCREW, CONNECTOR MOUNTING	429472	89536	429472	2		
H2	LOCKWASHER, #8	111070	89536	111070	2		
J1	CONNECTOR, POST	267500	00779	87022-1	33		
J2	CONNECTOR, FEMALE, 24-PIN	441337	02660	57-20240-8	1		
S1	SWITCH, SPST, 8-POS	414490	00779	435166-5	1	1	
XS1	SOCKET, 16-PIN	572347	00779	640358-1	1		

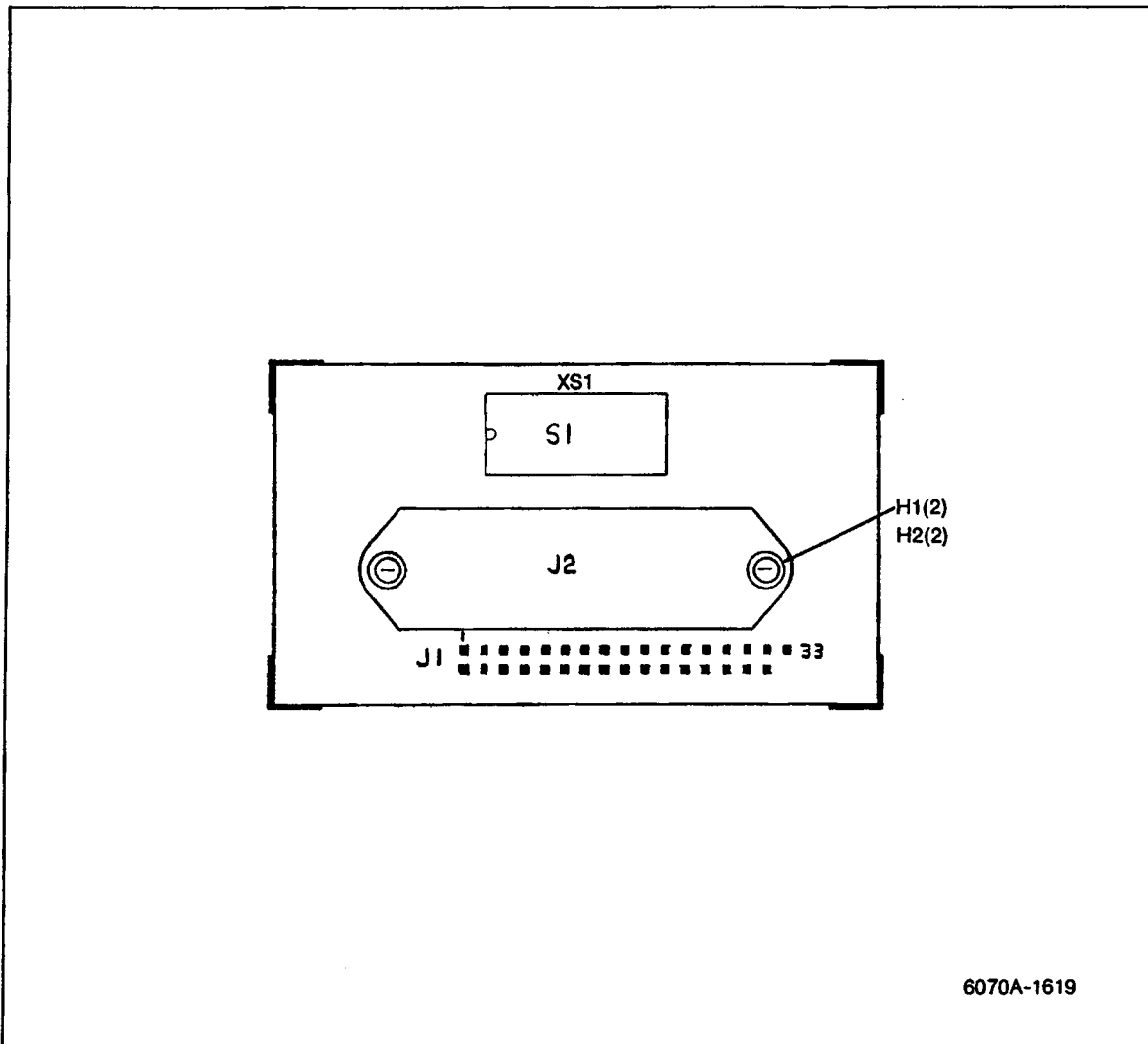
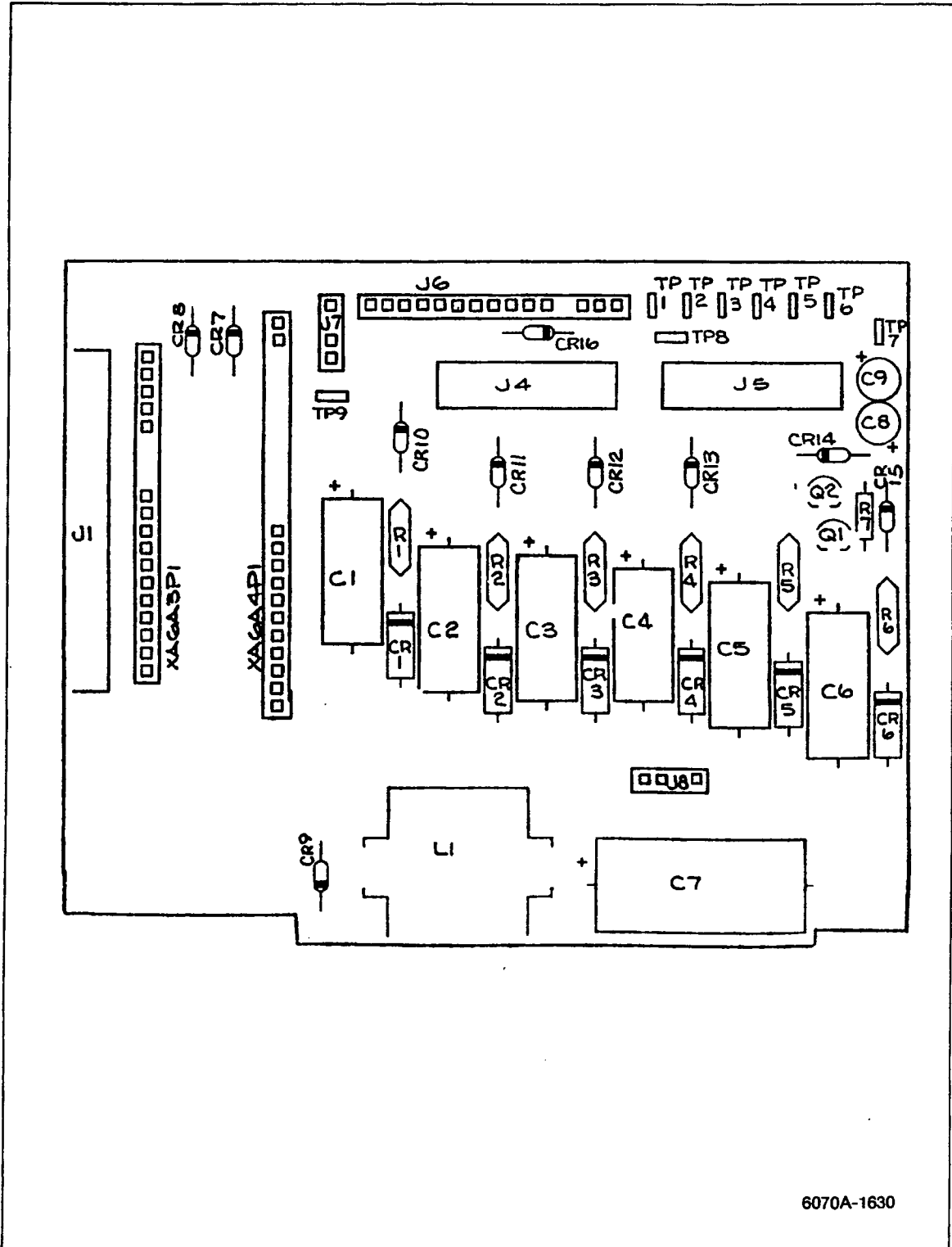


Figure 6-35. A6A1 IEEE Connector PCB Panel Assembly

Table 6-36. A6A2 Series Pass Mother Board PCB Assembly

REF DES	DESCRIPTION	FLUKE STOCK NO.	MFG SPLY CODE	MFG. PART NO.	TOT QTY	REC QTY	N O T E
A6A2	SERIES PASS MOTHER BOARD PCB ASSEMBLY FIGURE 6-36 (6070A-4030T)	489591	89536	489591		REF	
C1	CAP, ELECT, 330 UF +/-20%, 6V	501288	90201	THF330G6	3		
C2	CAP, ELECT, 330 UF +/-20%, 6V	501288	90201	THF330G6		REF	
C3	CAP, ELECT, 330 UF +/-20%, 6V	501288	90201	THF330G6		REF	
C4	CAP, ELECT, 150 UF +/-20%, 15V	501270	90201	THF150G15	2		
C5	CAP, ELECT, 150 UF +/-20%, 15V	501270	90201	THF150G15		REF	
C6	CAP, ELECT, 47 UF +/-20%, 35V	501262	90201	THF47G35	1		
C7	CAP, ELECT, 1000 UF -10/+50%, 16V	193896	80031	ET102X016A02	1		
C8	CAP, TA, 68 UF, 6V/8V	519702	56289	196D686X0008KE4	2		
C9	CAP, TA, 68 UF, 6V/8V	519702	56289	196D686X0008KE4		REF	
CR1	DIODE, SI, RECTIFIER	116111	05277	1N4817	6		2
CR2	DIODE, SI, RECTIFIER	116111	05277	1N4817		REF	
CR3	DIODE, SI, RECTIFIER	116111	05277	1N4817		REF	
CR4	DIODE, SI, RECTIFIER	116111	05277	1N4817		REF	
CR5	DIODE, SI, RECTIFIER	116111	05277	1N4817		REF	
CR6	DIODE, SI, RECTIFIER	116111	05277	1N4817		REF	
CR7	DIODE, SI, RECTIFIER, 1 AMP	368738	04713	1N4004	3		1
CR8	DIODE, SI, RECTIFIER, 1 AMP	368738	04713	1N4004		REF	
CR9	DIODE, SI, RECTIFIER, 1 AMP	368738	04713	1N4004		REF	
CR10	DIODE, SI, HIGH SPEED SWITCHING	203323	07910	1N4448	7		2
CR11	DIODE, SI, HIGH SPEED SWITCHING	203323	07910	1N4448		REF	
CR12	DIODE, SI, HIGH SPEED SWITCHING	203323	07910	1N4448		REF	
CR13	DIODE, SI, HIGH SPEED SWITCHING	203323	07910	1N4448		REF	
CR14	DIODE, SI, HIGH SPEED SWITCHING	203323	07910	1N4448		REF	
CR15	DIODE, SI, HIGH SPEED SWITCHING	203323	07910	1N4448		REF	
CR16	DIODE, SI, HIGH SPEED SWITCHING	203323	07910	1N4448		REF	
J1	CONNECTOR, 12-PIN	512160	27264	09-80-1123	1		
J4	CONNECTOR, 6-PIN	512178	27264	09-80-1063	2		
J5	CONNECTOR, 6-PIN	512178	27264	09-80-1063		REF	
J6	CONNECTOR, POST	267500	00779	87022-1		REF	
J7	CONNECTOR, POST	267500	00779	87022-1		REF	
J8	CONNECTOR, POST	267500	00779	87022-1		REF	
L1	INDUCTOR	497297	89536	497297	1		
Q1	TRANSISTOR, SI, NPN	453431	89536	453431	2		1
Q2	TRANSISTOR, SI, NPN	453431	89536	453431		REF	
R1	RES, MTL. FILM, 4.42K +/-1%, 1/8W	288514	91637	CMF554421F	3		
R2	RES, MTL. FILM, 4.42K +/-1%, 1/8W	288514	91637	CMF554421F		REF	
R3	RES, MTL. FILM, 4.42K +/-1%, 1/8W	288514	91637	CMF554421F		REF	
R4	RES, MTL. FILM, 11.3K +/-1%, 1/8W	293639	91637	CMF551132	1		
R5	RES, MTL. FILM, 2.26K +/-1%, 1/8W	328294	91637	CMF552261F	1		
R6	RES, MTL. FILM, 23.2K +/-1%, 1/8W	291351	91637	CMF552322F	1		
R7	RES, DEP. CAR, 3K +/-5%, 1/4W	441527	80031	CR251-4-5P3K	1		
TP1-TP9	CONNECTOR, TEST POINT	512889	00779	62395-1	9		
XA6A3P1	CONNECTOR, POST	267500	00779	87022-1	49		
XA6A4P1	CONNECTOR, POST	267500	00779	87022-1		REF	



6070A-1630

Figure 6-36. A6A2 Series Pass Mother Board PCB Assembly